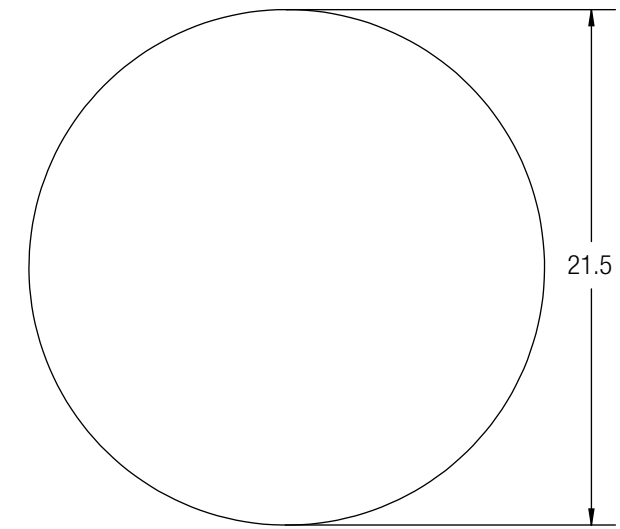
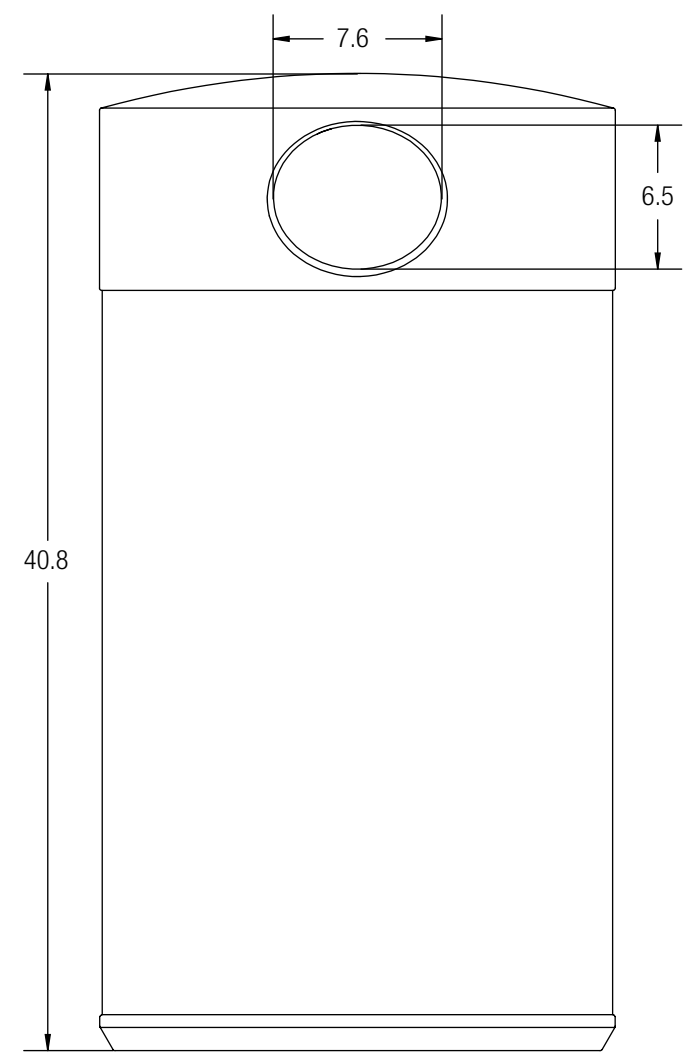
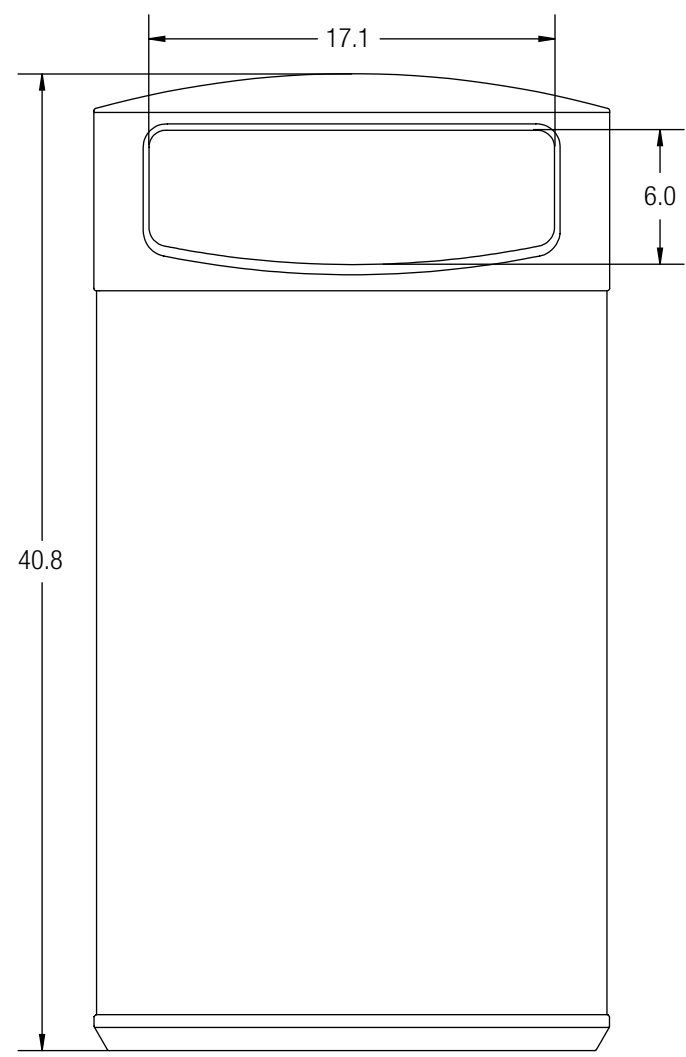


8 7 6 5 4 3 2 1

D
C
B
A



D
C
B
A

CUSTOMER APPROVAL:

X _____

DATE:

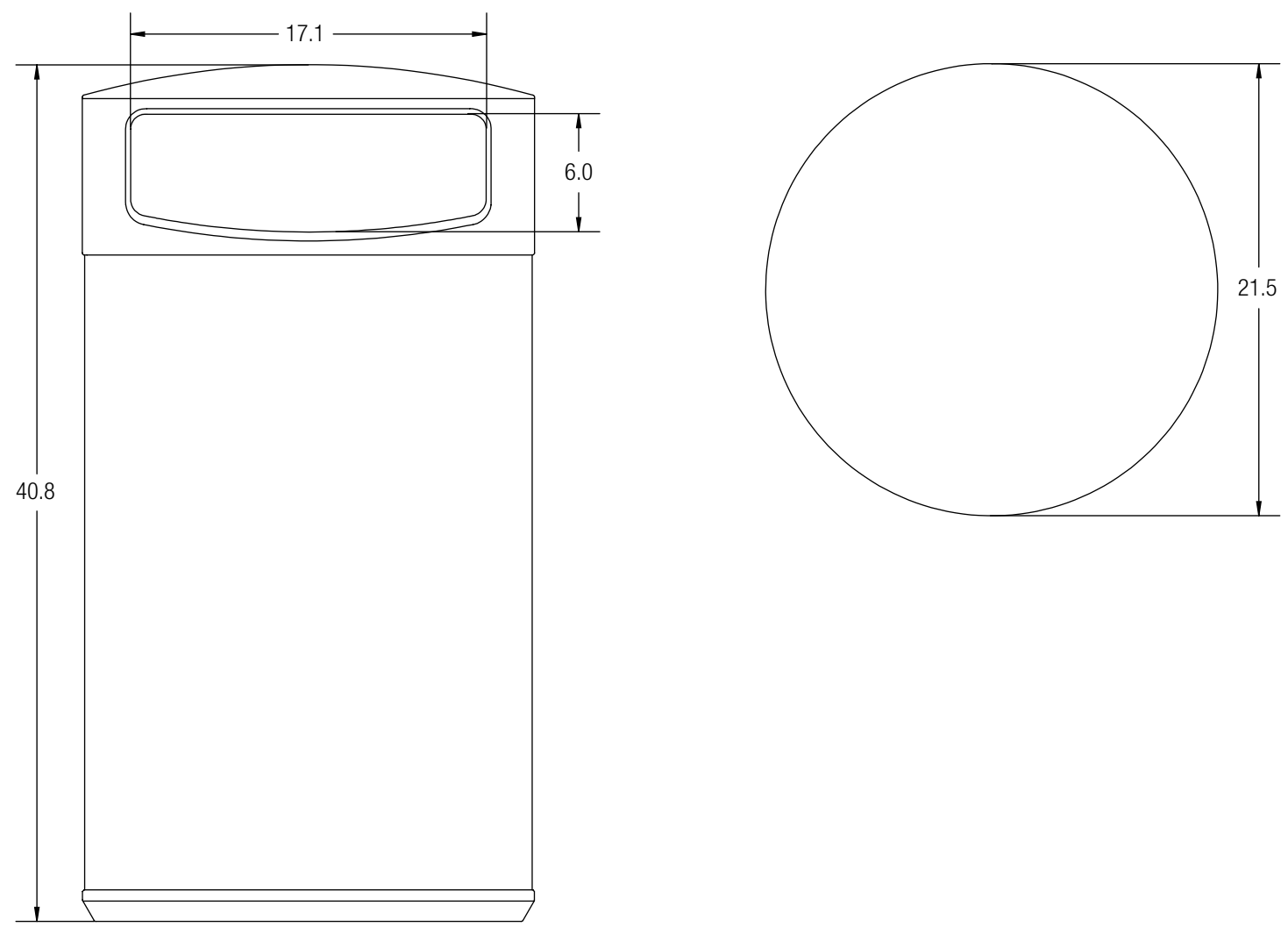
X _____

UNLESS OTHERWISE SPECIFIED, DIMENSIONS ARE IN INCHES		FORMS+SURFACES ® 30 Pine Street, Pittsburgh, PA 15223 Tel (800) 451-0410 Fax (412) 781-7840	
TOLERANCES (UNLESS OTHERWISE SPECIFIED): FRACTIONAL: ±1/32 ANGULAR/BEND: ±1° TWO PLACE DECIMAL ±.030 THREE PLACE DECIMAL ±.020		DATE	UNIVERSAL RECEPTACLE 36 GAL, SIDE OPENING STANDARD / ROUND SLUNN-36SSR
MATERIAL: SEE DATA SHEET		09/01/2011	
FINISH: SEE DATA SHEET	DO NOT SCALE DRAWING		SIZE DWG. NO. REV SHEET B SLUNN-36SSR-TD 0 1 OF 1
WEIGHT: 52 LBS	PROPRIETARY AND CONFIDENTIAL		
+41 LB CONCRETE BASE	THE INFORMATION CONTAINED IN THIS DRAWING IS THE SOLE PROPERTY OF FORMS + SURFACES. ANY REPRODUCTION IN PART OR AS A WHOLE WITHOUT WRITTEN PERMISSION IS PROHIBITED.		
SCALE: N.T.S.			

8 7 6 5 4 3 2 1

8 7 6 5 4 3 2 1

D
C
B
A



OPENINGS ON BOTH SIDES

CUSTOMER APPROVAL:

X _____

DATE:

X _____

UNLESS OTHERWISE SPECIFIED, DIMENSIONS ARE IN INCHES		FORMS+SURFACES ® 30 Pine Street, Pittsburgh, PA 15223 Tel (800) 451-0410 Fax (412) 781-7840	
TOLERANCES (UNLESS OTHERWISE SPECIFIED): FRACTIONAL: ±1/32 ANGULAR/BEND: ±1°* TWO PLACE DECIMAL ±.030 THREE PLACE DECIMAL ±.020		DATE	
MATERIAL: SEE DATA SHEET		09/01/2011	
FINISH: SEE DATA SHEET	DO NOT SCALE DRAWING		
WEIGHT: 52 LBS	PROPRIETARY AND CONFIDENTIAL		
+41 LB CONCRETE BASE	THE INFORMATION CONTAINED IN THIS DRAWING IS THE SOLE PROPERTY OF FORMS + SURFACES. ANY REPRODUCTION IN PART OR AS A WHOLE WITHOUT WRITTEN PERMISSION IS PROHIBITED.		
SCALE: N.T.S.	SIZE	DWG. NO.	REV SHEET
	B	SLUNN-36SSS-TD	0 1 OF 1

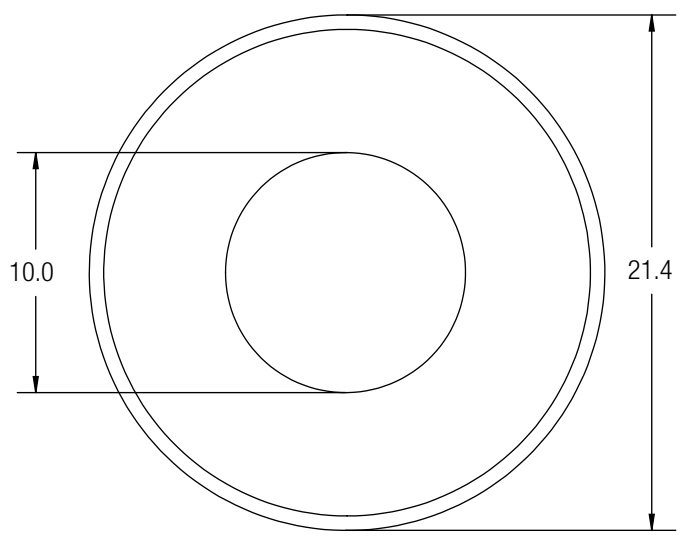
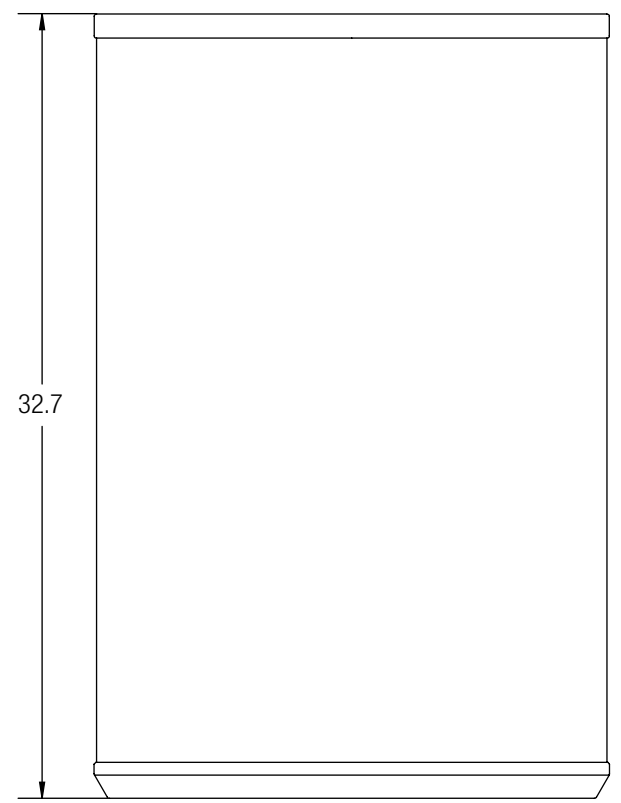
UNIVERSAL RECEPTACLE
36 GAL, SIDE OPENING
STANDARD / STANDARD
SLUNN-36SSS

REV 0 SHEET 1 OF 1

8 7 6 5 4 3 2 1

8 7 6 5 4 3 2 1

D
C
B
A



CUSTOMER APPROVAL:

X _____

DATE:

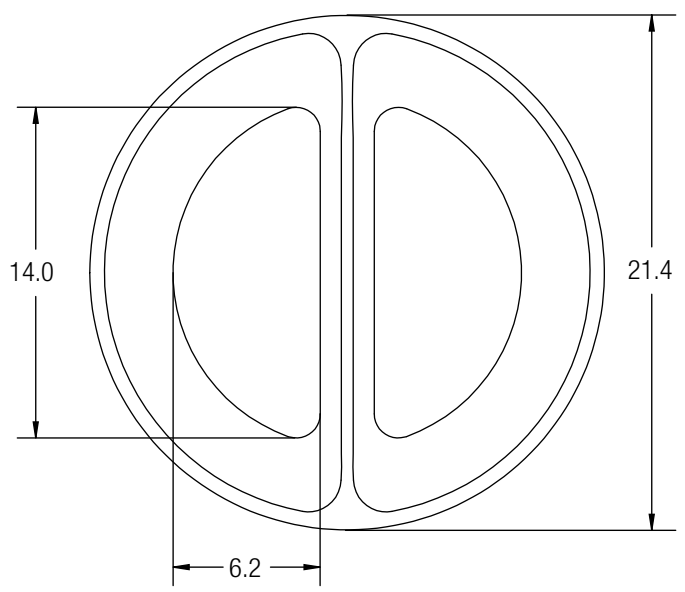
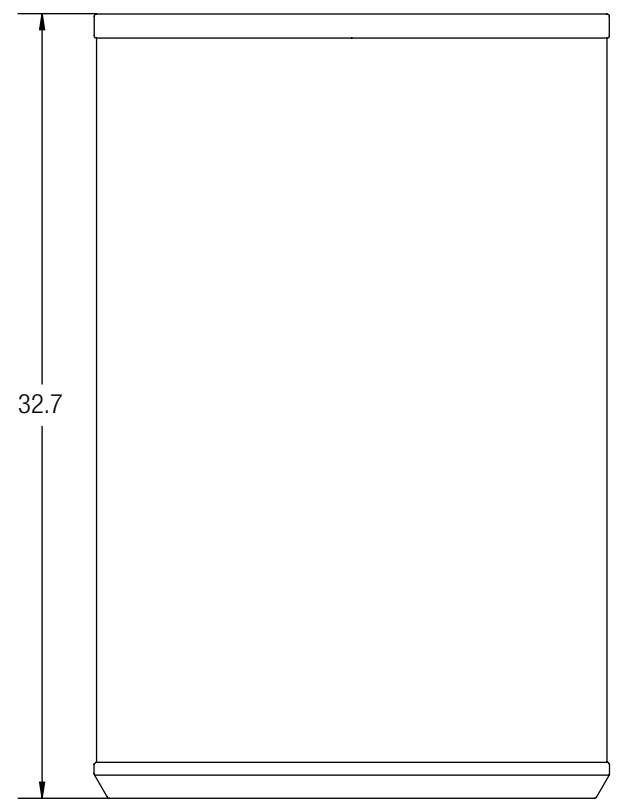
X _____

UNLESS OTHERWISE SPECIFIED, DIMENSIONS ARE IN INCHES		FORMS+SURFACES ® 30 Pine Street, Pittsburgh, PA 15223 Tel (800) 451-0410 Fax (412) 781-7840	
TOLERANCES (UNLESS OTHERWISE SPECIFIED): FRACTIONAL: ±1/32 ANGULAR/BEND: ±1° TWO PLACE DECIMAL ±.030 THREE PLACE DECIMAL ±.020		DATE	
MATERIAL: SEE DATA SHEET		09/01/2011	
FINISH: SEE DATA SHEET	DO NOT SCALE DRAWING		
WEIGHT: 49 LBS	PROPRIETARY AND CONFIDENTIAL		
+41 LB CONCRETE BASE	THE INFORMATION CONTAINED IN THIS DRAWING IS THE SOLE PROPERTY OF FORMS + SURFACES. ANY REPRODUCTION IN PART OR AS A WHOLE WITHOUT WRITTEN PERMISSION IS PROHIBITED.		
SCALE: N.T.S.	SIZE	DWG. NO.	REV SHEET
	B	SLUNN-36T10-TD	0 1 OF 1

8 7 6 5 4 3 2 1

8 7 6 5 4 3 2 1

D
C
B
A



CUSTOMER APPROVAL:

X _____

DATE:

X _____

UNLESS OTHERWISE SPECIFIED, DIMENSIONS ARE IN INCHES		FORMS+SURFACES ® 30 Pine Street, Pittsburgh, PA 15223 Tel (800) 451-0410 Fax (412) 781-7840									
TOLERANCES (UNLESS OTHERWISE SPECIFIED): FRACTIONAL: ±1/32 ANGULAR/BEND: ±1° TWO PLACE DECIMAL ±.030 THREE PLACE DECIMAL ±.020		DATE	UNIVERSAL RECEPTACLE 36 GAL, TOP OPENING SPLIT-STREAM SLUNN-36TS								
MATERIAL: SEE DATA SHEET		09/01/2011									
FINISH: SEE DATA SHEET	DO NOT SCALE DRAWING		<table border="1"> <tr> <td>SIZE</td> <td>DWG. NO.</td> <td>REV</td> <td>SHEET</td> </tr> <tr> <td>B</td> <td>SLUNN-36TS-TD</td> <td>0</td> <td>1 OF 1</td> </tr> </table>	SIZE	DWG. NO.	REV	SHEET	B	SLUNN-36TS-TD	0	1 OF 1
SIZE	DWG. NO.	REV		SHEET							
B	SLUNN-36TS-TD	0		1 OF 1							
WEIGHT: 49 LBS	PROPRIETARY AND CONFIDENTIAL										
+41 LB CONCRETE BASE	THE INFORMATION CONTAINED IN THIS DRAWING IS THE SOLE PROPERTY OF FORMS + SURFACES. ANY REPRODUCTION IN PART OR AS A WHOLE WITHOUT WRITTEN PERMISSION IS PROHIBITED.										
SCALE: N.T.S.											

8 7 6 5 4 3 2 1