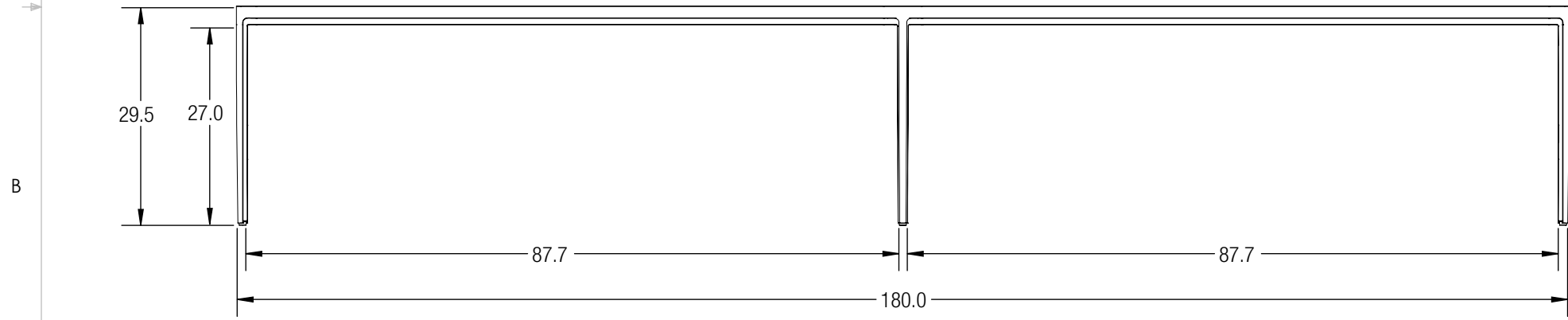
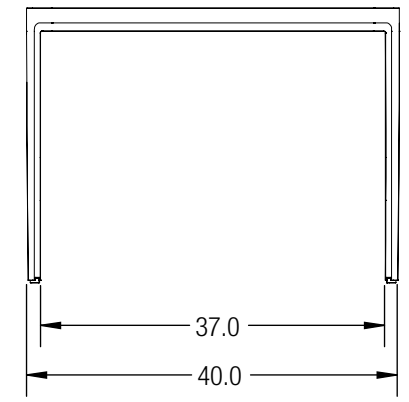


TOP VIEW



FRONT VIEW



SIDE VIEW

CUSTOMER APPROVAL:

X _____

DATE:

X _____

UNLESS OTHERWISE SPECIFIED, DIMENSIONS ARE IN INCHES

FORMS+SURFACES® 30 Pine Street, Pittsburgh, PA 15223
Tel (412) 781-9003 Fax (412) 781-7840

TOLERANCES (UNLESS OTHERWISE SPECIFIED):		NAME		DATE		AVIVO TABLE 40X180" STAVO-T40180
FRACTIONAL: ±1/32		DWN	MAH	2/10/2016		
ANGULAR/BEND: ±1°*						
TWO PLACE DECIMAL ±.030						
THREE PLACE DECIMAL ±.020						
MATERIAL: SEE DATA SHEET		DO NOT SCALE DRAWING				
FINISH: SEE DATA SHEET		PROPRIETARY AND CONFIDENTIAL				
WEIGHT: SEE DATA SHEET		THE INFORMATION CONTAINED IN THIS DRAWING IS THE SOLE PROPERTY OF FORMS + SURFACES. ANY REPRODUCTION IN PART OR AS A WHOLE WITHOUT WRITTEN PERMISSION IS PROHIBITED.				
SOURCE: M		SIZE	DWG. NO.	REV	SHEET	
SCALE: N.T.S.		B	STAVO-T40180	0	1 OF 1	

PRINTED: 2/10/2016