

8 7 6 5 4 3 2 1

D

C

B

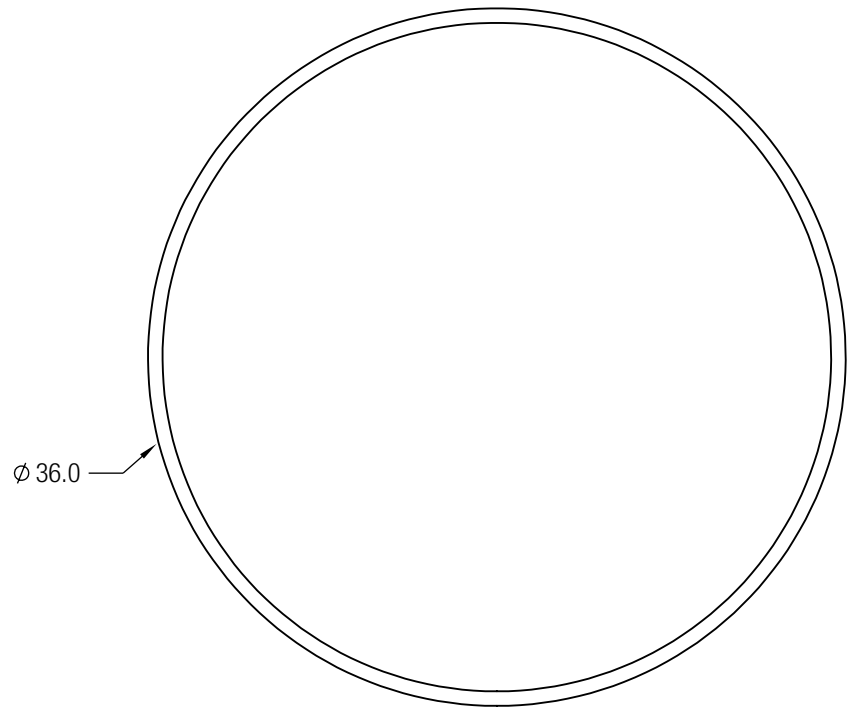
A

D

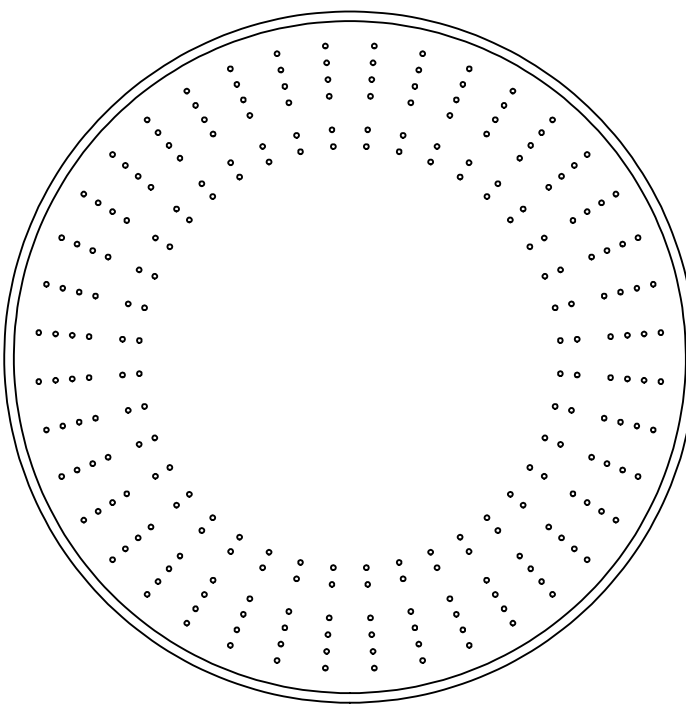
C

B

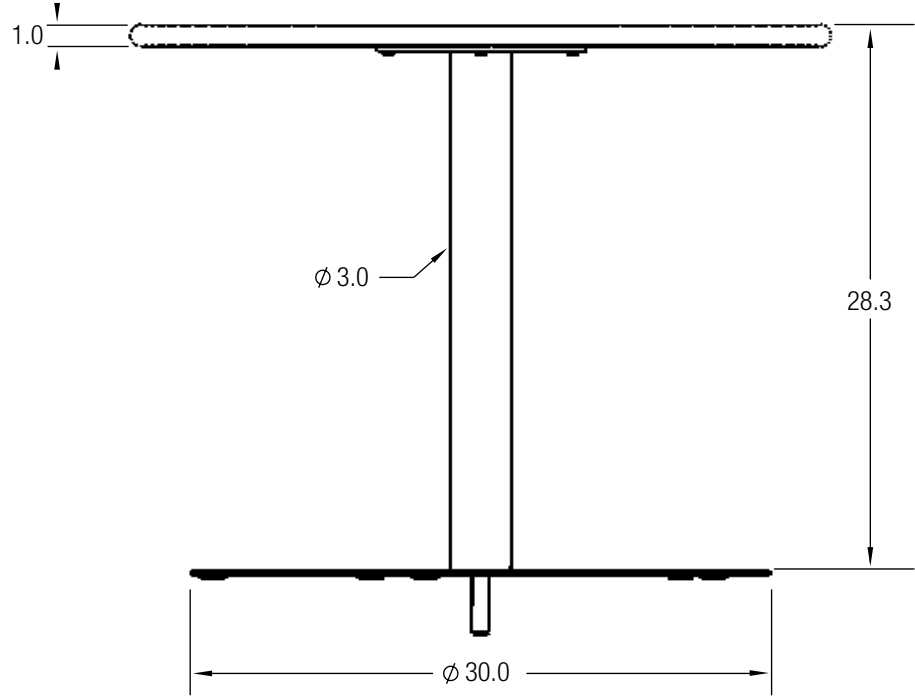
A



NO PERF



PERF



CUSTOMER APPROVAL:

X _____

DATE:

X _____

UNLESS OTHERWISE SPECIFIED, DIMENSIONS ARE IN INCHES		FORMS+SURFACES ® 30 Pine Street, Pittsburgh, PA 15223 Tel (800) 451-0410 Fax (412) 781-7840	
TOLERANCES (UNLESS OTHERWISE SPECIFIED): FRACTIONAL: ±1/32 ANGULAR/BEND: ±1° TWO PLACE DECIMAL ±.030 THREE PLACE DECIMAL ±.020		DWN	EK
MATERIAL: SEE DATA SHEET		DATE 11/20/2013	
FINISH: SEE DATA SHEET		DO NOT SCALE DRAWING	
WEIGHT: 83 LBS		PROPRIETARY AND CONFIDENTIAL	
SOURCE: MDW		THE INFORMATION CONTAINED IN THIS DRAWING IS THE SOLE PROPERTY OF FORMS + SURFACES. ANY REPRODUCTION IN PART OR AS A WHOLE WITHOUT WRITTEN PERMISSION IS PROHIBITED.	
SCALE: N.T.S.		SIZE B	DWG. NO. SPCOL-T30R36
		REV 0	SHEET 1 OF 1

8 7 6 5 4 3 2 1