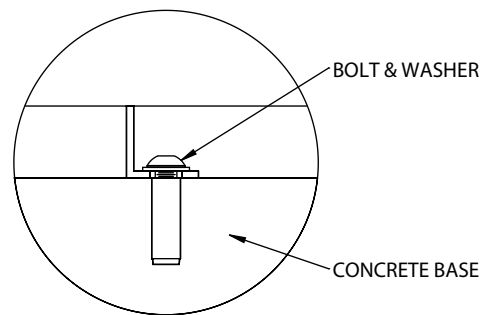
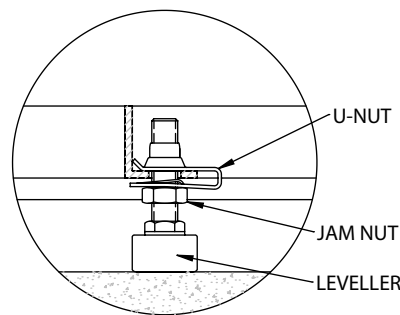


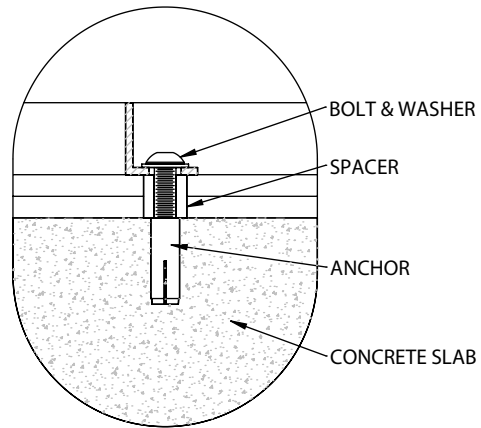
CONCRETE BASE



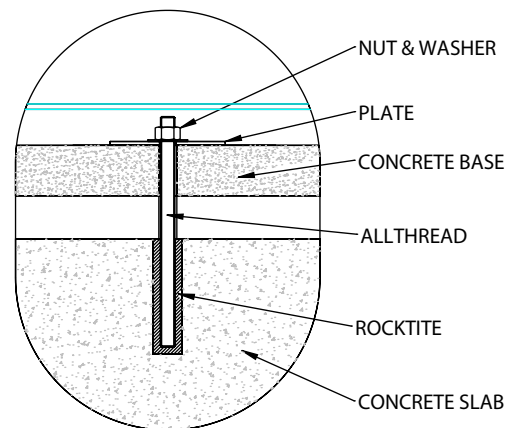
LEVELERS



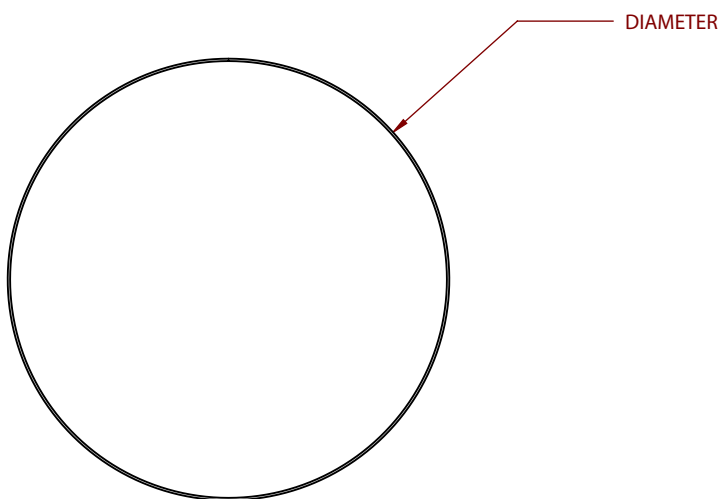
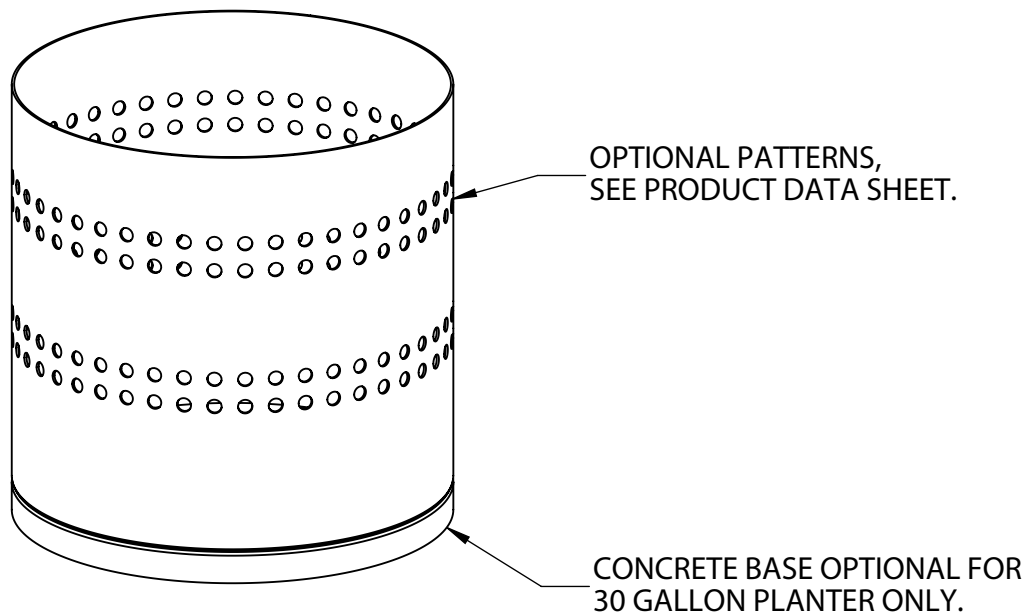
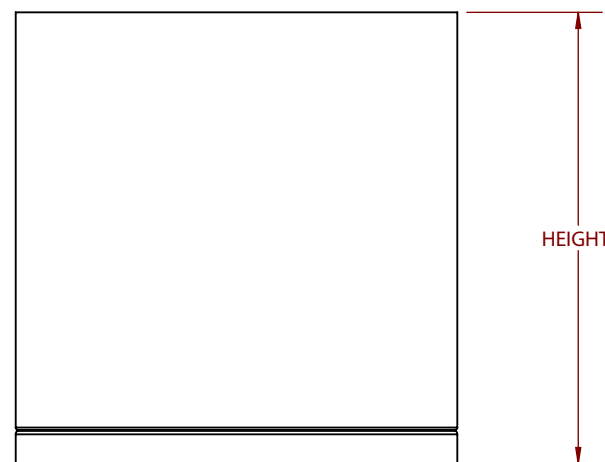
SURFACE MOUNTING



CONCRETE BASE SURFACE MOUNTING



| GALLONS | DIAMETER | HEIGHT |
|---------|----------|--------|
| 30 | 23" | 21.75" |
| 100 | 36" | 28.50" |
| 190 | 48" | 34.50" |



NOTE:

DIMENSIONS SHOWN FOR 100 AND 190 GALLON PLANTERS ARE FOR UNITS RESTING DIRECTLY ON THE SUBSTRATE. LEVELERS AND CONCRETE BASES ARE NOT AVAILABLE FOR THESE MODELS.

IMAGES ARE NOT TO SCALE, SEE ABOVE CHART FOR TRUE DIMENSIONS.

CUSTOMER APPROVAL:

X _____

DATE:

X _____

| | | | |
|--|--|--|-----------------------------------|
| UNLESS OTHERWISE SPECIFIED, DIMENSIONS ARE IN INCHES | | FORMS+SURFACES ® 30 Pine Street, Pittsburgh, PA 15223 Tel (412) 781-9003 Fax (412) 781-7840 | |
| TOLERANCES (UNLESS OTHERWISE SPECIFIED): FRACTIONAL: ±1/32 ANGULAR/BEND: ±1° TWO PLACE DECIMAL ±.030 THREE PLACE DECIMAL ±.020 | | NAME DWN | DATE 12/18/2008 |
| MATERIAL: SEE TECH BRIEF | | DESCRIPTION: CUSTOMER SERVICE DRAWING SNUNI (ROUND PLANTER) | |
| FINISH: SEE TECH BRIEF | | DO NOT SCALE DRAWING | |
| WEIGHT: VARIES | | PROPRIETARY AND CONFIDENTIAL | |
| SOURCE: - | | THE INFORMATION CONTAINED IN THIS DRAWING IS THE SOLE PROPERTY OF FORMS + SURFACES. ANY REPRODUCTION IN PART OR AS A WHOLE WITHOUT WRITTEN PERMISSION IS PROHIBITED. | |
| SCALE: N.T.S. | | SIZE B | DWG. NO. SNUNI (ROUND PLANTER) |
| | | REV 0 | SHEET 1 OF 1 |