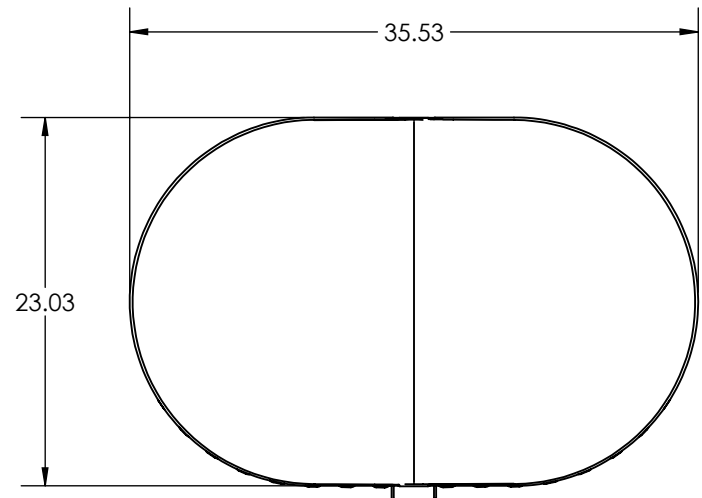
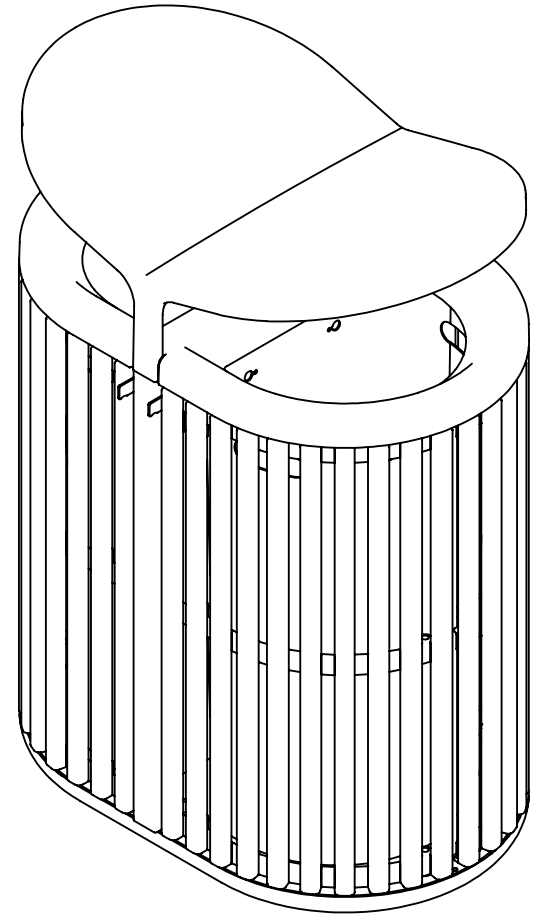


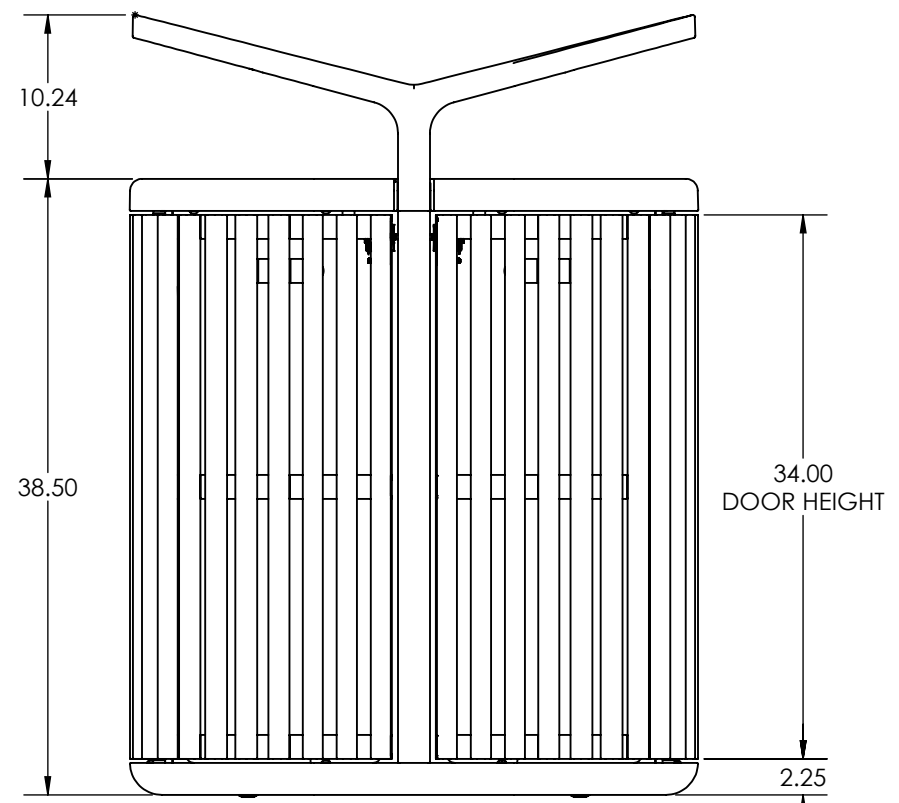
8 7 6 5 4 3 2 1



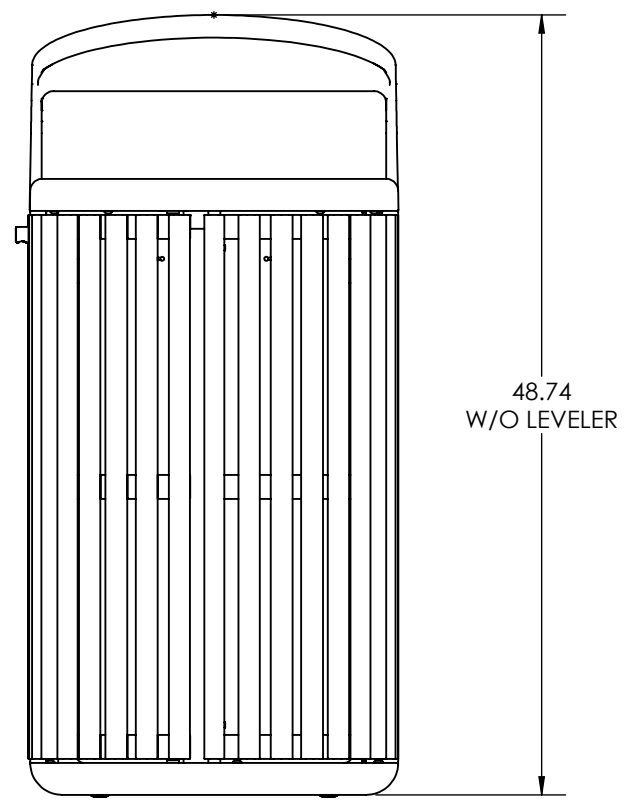
TOP VIEW



ISOMETRIC VIEW



FRONT VIEW



SIDE VIEW

CUSTOMER APPROVAL:

X _____

DATE:

X _____

UNLESS OTHERWISE SPECIFIED:
 1. PRIMARY DIM. ARE IN INCHES & SECONDARY [DIM] IN MM
 2. TOLERANCES
 FRACTIONAL: ±1/32; ANGULAR/BEND: ±1°
 TWO PLACE DECIMAL ±.030
 THREE PLACE DECIMAL ±.020
 3. REMOVE ALL BURRS AND SHARP EDGES

FORMS+SURFACES 30 Pine Street, Pittsburgh, PA 15223
 Tel (412) 781-9003 Fax (412) 385-4715

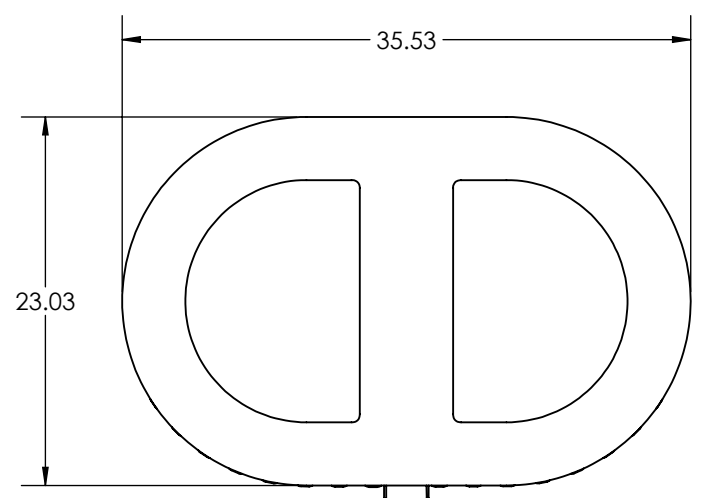
THIRD ANGLE PROJECTION	NAME	DATE	DESCRIPTION:
	DWN	ABM	
	CHK	MGJ	11-25-2020
MATERIAL: SEE DATA SHEET		DO NOT SCALE DRAWING	
FINISH: - SEE DATA SHEET		PROPRIETARY AND CONFIDENTIAL	
WEIGHT: - SEE DATA SHEET		THE INFORMATION CONTAINED IN THIS DRAWING IS THE SOLE PROPERTY OF FORMS + SURFACES. ANY REPRODUCTION IN PART OR AS A WHOLE WITHOUT WRITTEN PERMISSION IS PROHIBITED.	
SCALE: NOT TO SCALE		SIZE	DWG. NO.
		B	SLTNO-230C-HAT-CS
		REV	0
		SHEET	1 OF 1

TONYO RECEPTACLE, 60 GAL, SST, W/RAINHAT			
SIZE	DWG. NO.	REV	SHEET
B	SLTNO-230C-HAT-CS	0	1 OF 1

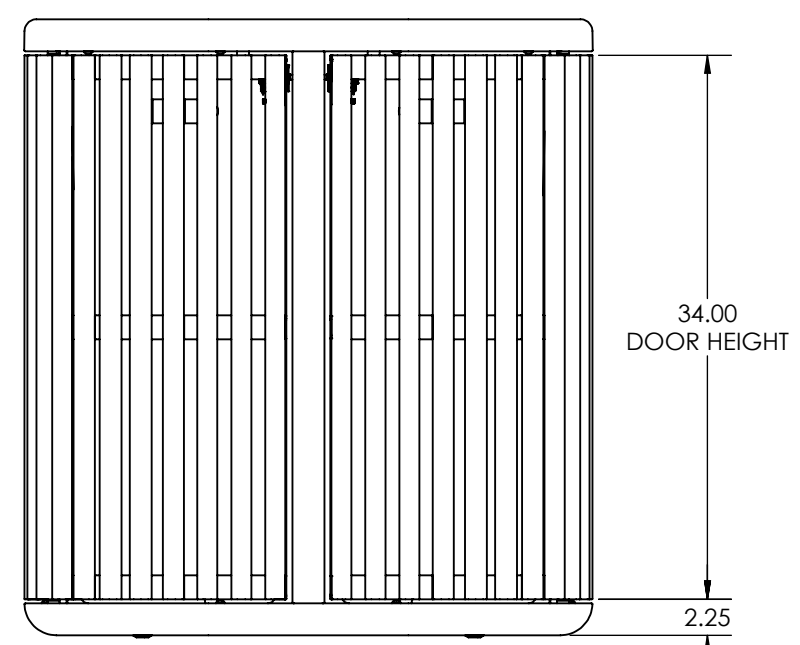
8 7 6 5 4 3 2 1

8 7 6 5 4 3 2 1

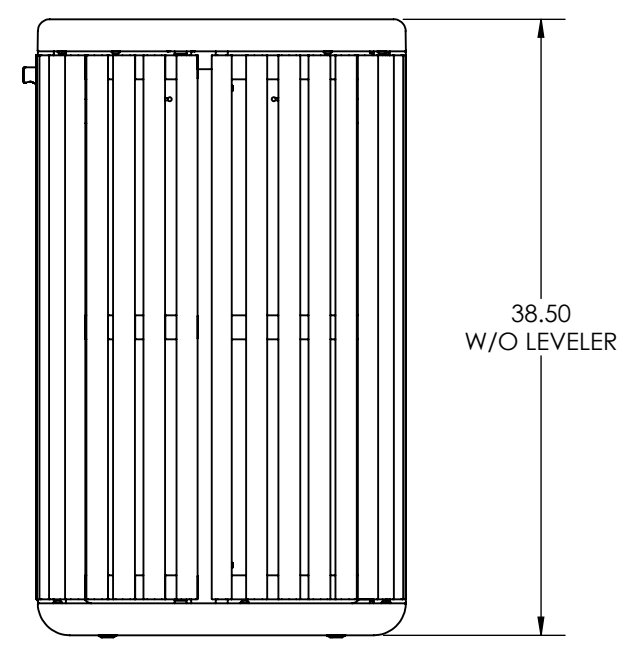
D
C
B
A



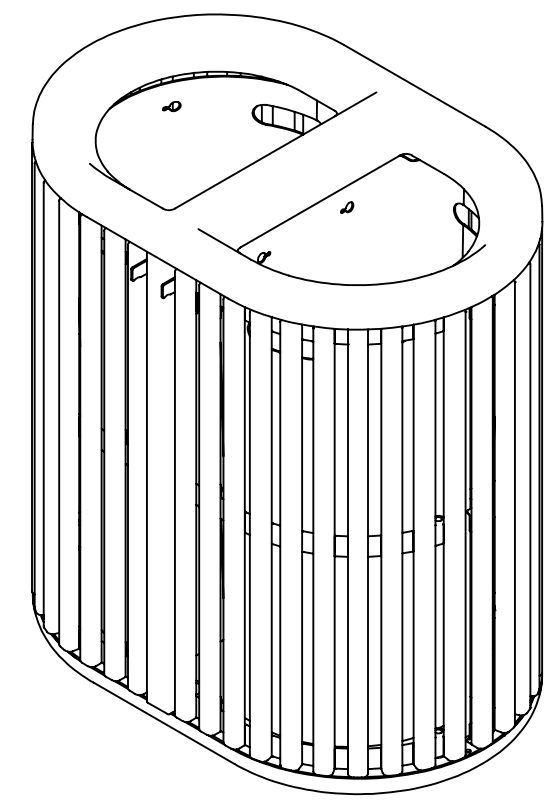
TOP VIEW



FRONT VIEW



SIDE VIEW



ISOMETRIC VIEW

CUSTOMER APPROVAL:

X _____

DATE:

X _____

UNLESS OTHERWISE SPECIFIED:
 1. PRIMARY DIM. ARE IN INCHES & SECONDARY [DIM] IN MM
 2. TOLERANCES
 FRACTIONAL: ±1/32; ANGULAR/BEND: ±1°
 TWO PLACE DECIMAL ±.030
 THREE PLACE DECIMAL ±.020
 3. REMOVE ALL BURRS AND SHARP EDGES
 THIRD ANGLE PROJECTION
 MATERIAL: SEE DATA SHEET
 FINISH: - SEE DATA SHEET
 WEIGHT: - SEE DATA SHEET
 SCALE: NOT TO SCALE



30 Pine Street, Pittsburgh, PA 15223
 Tel (412) 781-9003 Fax (412) 385-4715

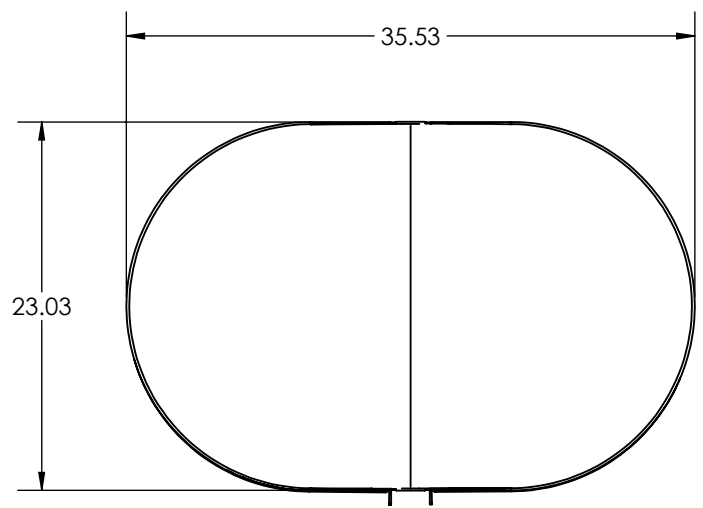
NAME	DATE
DWN ABM	11-25-2020
CHK MGJ	11-25-2020

DO NOT SCALE DRAWING
PROPRIETARY AND CONFIDENTIAL
 THE INFORMATION CONTAINED IN THIS DRAWING IS THE SOLE PROPERTY OF FORMS + SURFACES. ANY REPRODUCTION IN PART OR AS A WHOLE WITHOUT WRITTEN PERMISSION IS PROHIBITED.

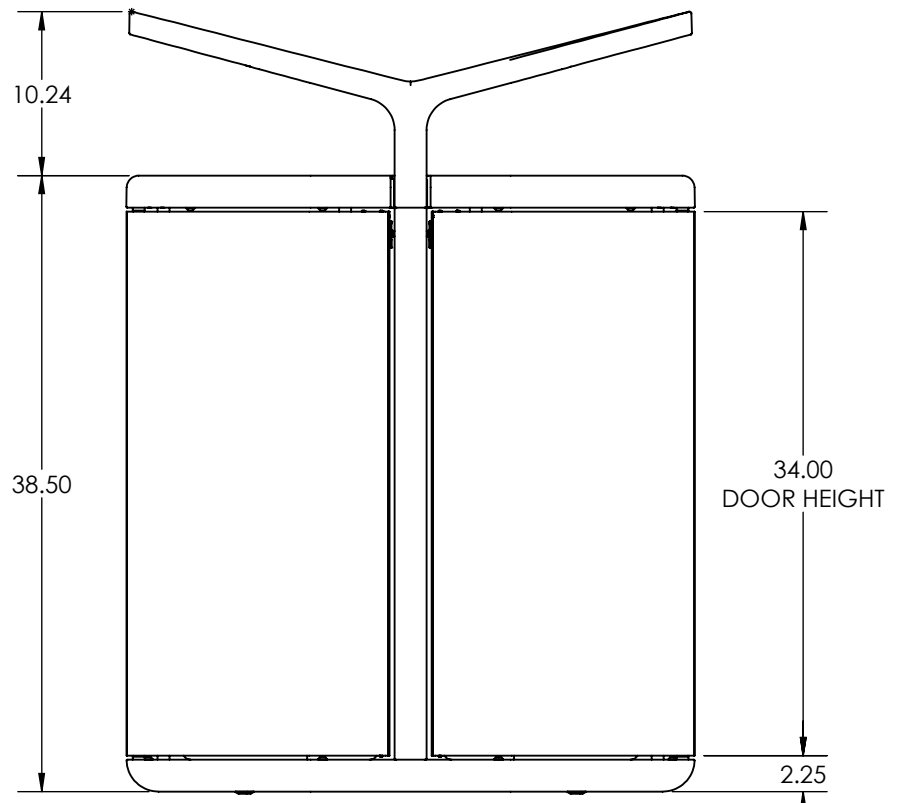
DESCRIPTION:			
TONYO RECEPTACLE, 60 GAL, SST, W/RAINHAT			
SIZE	DWG. NO.	REV	SHEET
B	SLTNO-230C-NO HAT-CS	0	1 OF 1

8 7 6 5 4 3 2 1

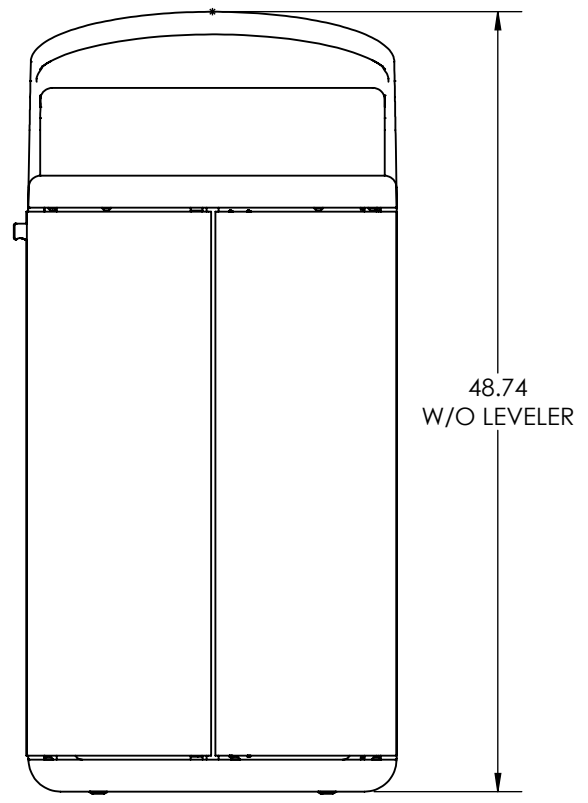
8 7 6 5 4 3 2 1



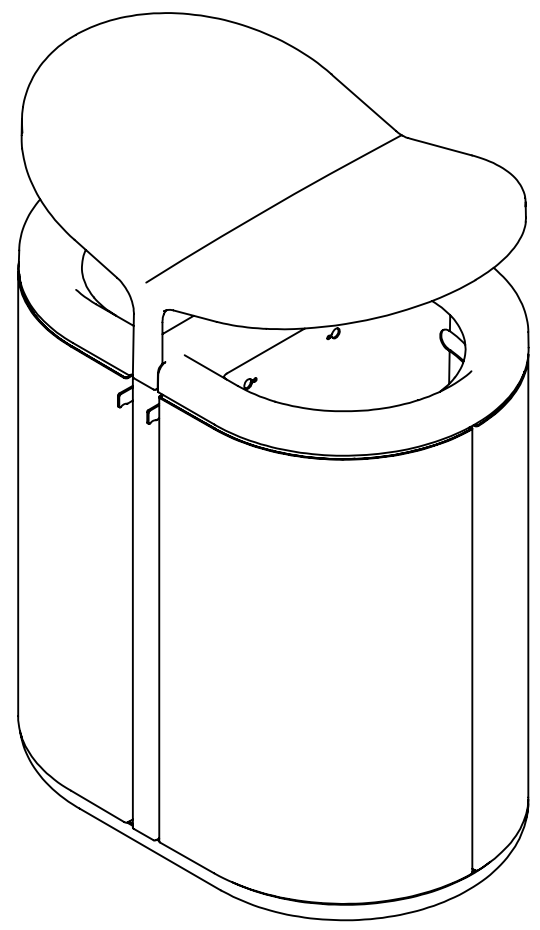
TOP VIEW



FRONT VIEW



SIDE VIEW



ISOMETRIC VIEW

CUSTOMER APPROVAL:

X _____

DATE:

X _____

UNLESS OTHERWISE SPECIFIED:
 1. PRIMARY DIM. ARE IN INCHES & SECONDARY [DIM] IN MM
 2. TOLERANCES
 FRACTIONAL: ±1/32; ANGULAR/BEND: ±1°
 TWO PLACE DECIMAL ±.030
 THREE PLACE DECIMAL ±.020
 3. REMOVE ALL BURRS AND SHARP EDGES
 THIRD ANGLE PROJECTION
 MATERIAL: SEE DATA SHEET
 FINISH: - SEE DATA SHEET
 WEIGHT: - SEE DATA SHEET
 SCALE: NOT TO SCALE

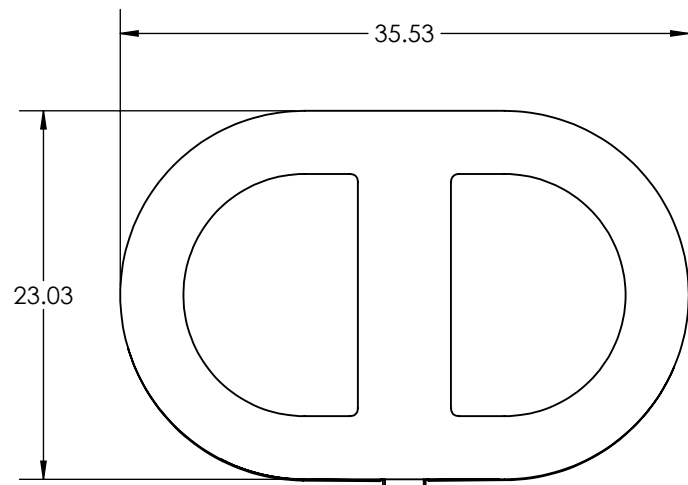
FORMS+SURFACES 30 Pine Street, Pittsburgh, PA 15223
 Tel (412) 781-9003 Fax (412) 385-4715

NAME	DATE
DWN ABM	11-25-2020
CHK MGJ	11-25-2020

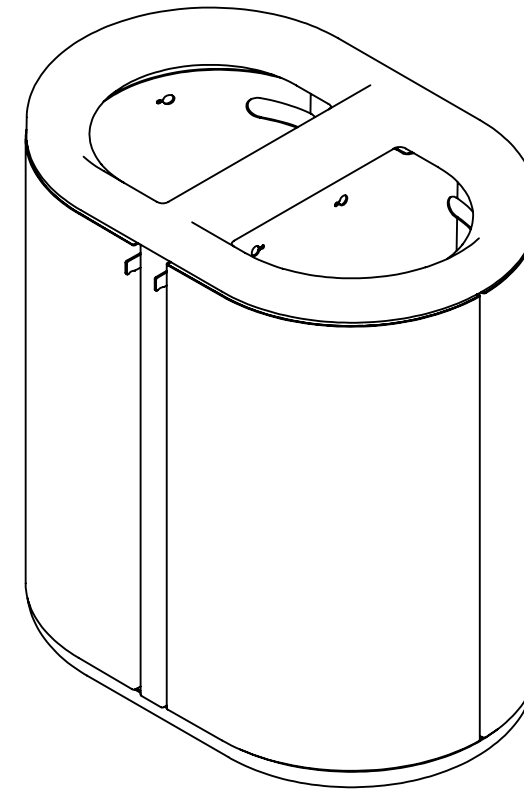
DESCRIPTION:			
TONYO RECEPTACLE, 60 GAL, SST, W/RAINHAT			
SIZE	DWG. NO.	REV	SHEET
B	SLTNO-230S-HAT-CS	0	1 OF 1

8 7 6 5 4 3 2 1

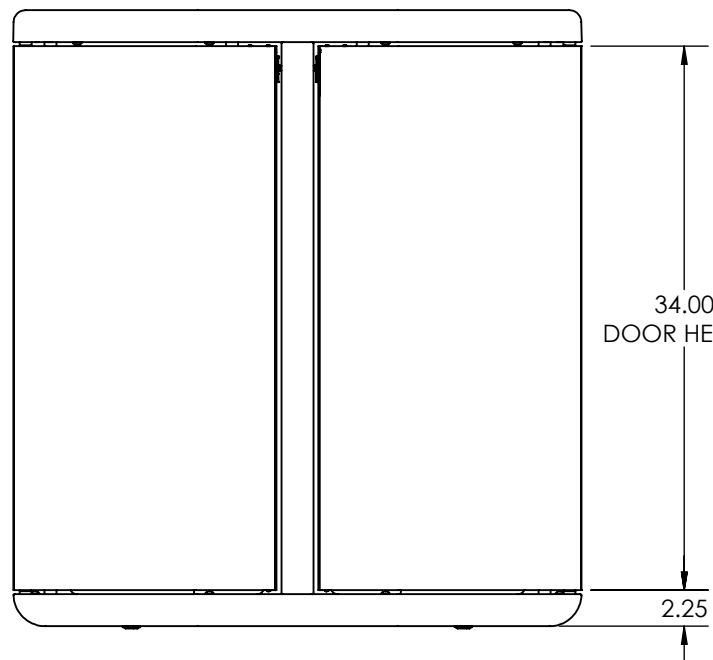
8 7 6 5 4 3 2 1



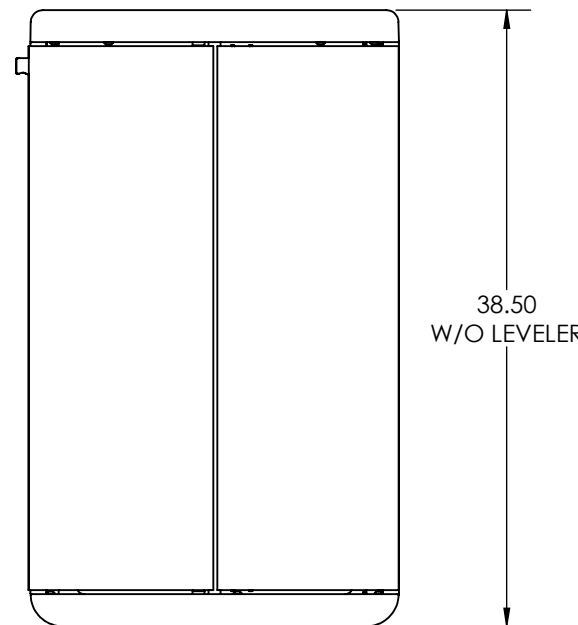
TOP VIEW



ISOMETRIC VIEW



FRONT VIEW



SIDE VIEW

CUSTOMER APPROVAL:

X _____

DATE:

X _____

UNLESS OTHERWISE SPECIFIED:

1. PRIMARY DIM. ARE IN INCHES & SECONDARY [DIM] IN MM

2. TOLERANCES

FRACTIONAL: $\pm 1/32$; ANGULAR/BEND: $\pm 1^\circ$

TWO PLACE DECIMAL $\pm .030$

THREE PLACE DECIMAL $\pm .020$

3. REMOVE ALL BURRS AND SHARP EDGES

THIRD ANGLE PROJECTION

MATERIAL: SEE DATA SHEET

FINISH: - SEE DATA SHEET

WEIGHT: - SEE DATA SHEET

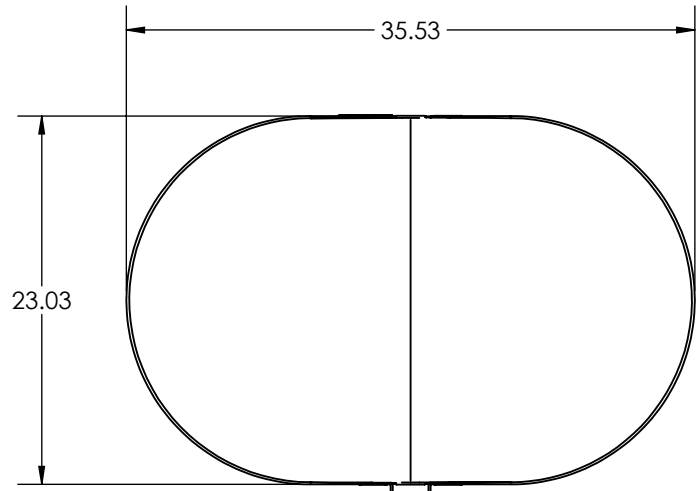
SCALE: NOT TO SCALE



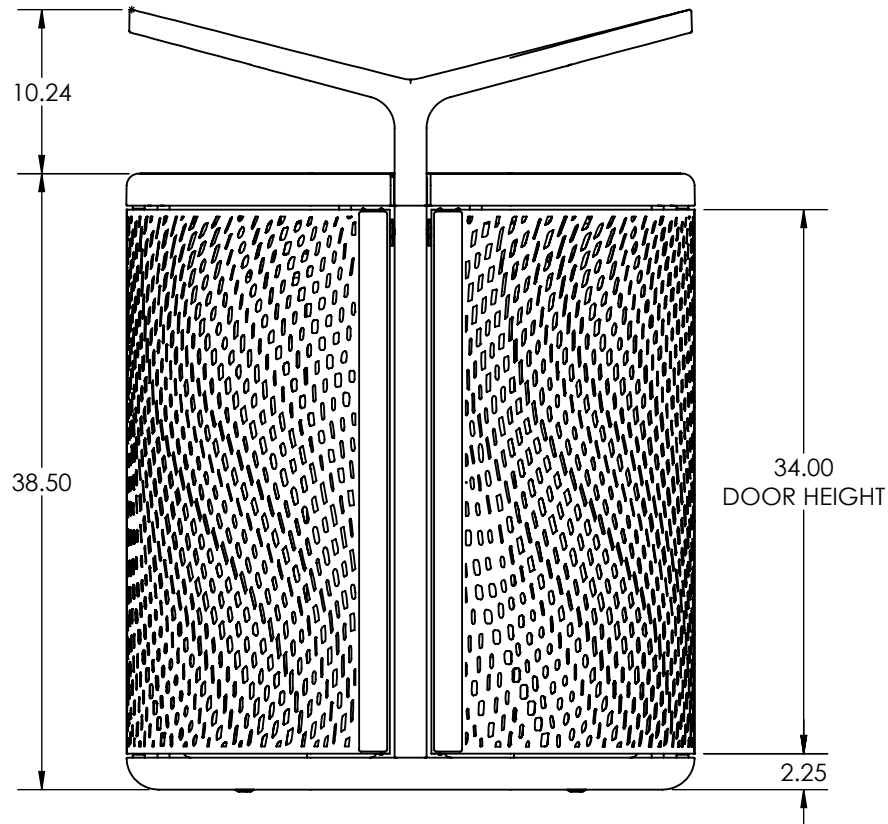
30 Pine Street, Pittsburgh, PA 15223
Tel (412) 781-9003 Fax (412) 385-4715

NAME	DATE	DESCRIPTION:	
DWN ABM	11-25-2020		
CHK MGJ	11-25-2020		
DO NOT SCALE DRAWING		TONYO RECEPTACLE, 60 GAL, SST, W/RAINHAT	
PROPRIETARY AND CONFIDENTIAL			
THE INFORMATION CONTAINED IN THIS DRAWING IS THE SOLE PROPERTY OF FORMS + SURFACES. ANY REPRODUCTION IN PART OR AS A WHOLE WITHOUT WRITTEN PERMISSION IS PROHIBITED.			
SIZE B	DWG. NO. SLTNO-230S-NO HAT-CS		REV 0

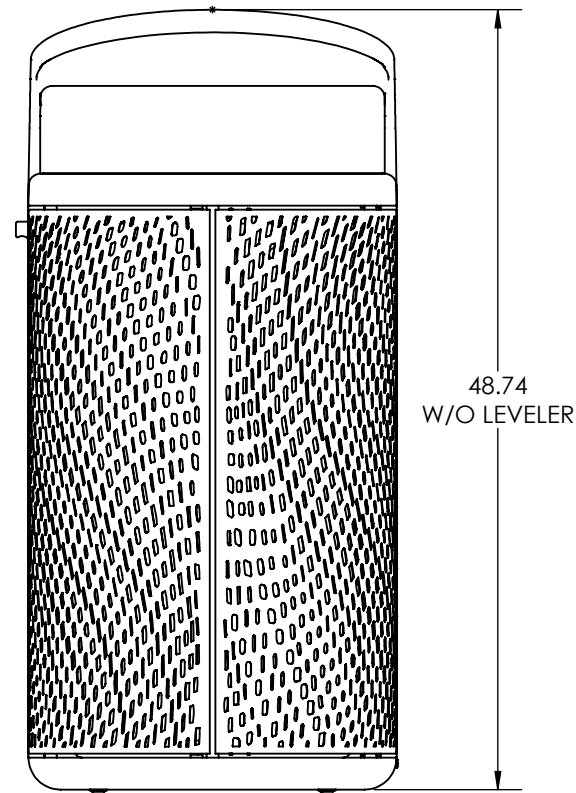
8 7 6 5 4 3 2 1



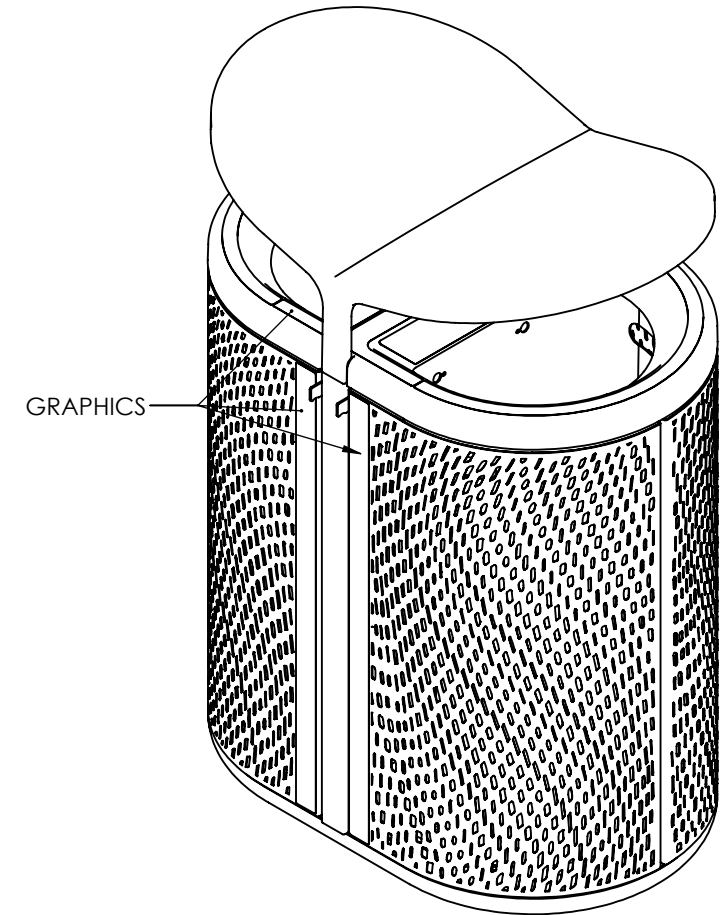
TOP VIEW



FRONT VIEW



SIDE VIEW



ISOMETRIC VIEW

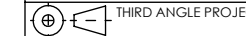
CUSTOMER APPROVAL:

X _____

DATE:

X _____

UNLESS OTHERWISE SPECIFIED:
 1. PRIMARY DIM. ARE IN INCHES & SECONDARY [DIM] IN MM
 2. TOLERANCES
 FRACTIONAL: ±1/32; ANGULAR/BEND: ±1°
 TWO PLACE DECIMAL ±.030
 THREE PLACE DECIMAL ±.020
 3. REMOVE ALL BURRS AND SHARP EDGES



MATERIAL: SEE DATA SHEET

FINISH: - SEE DATA SHEET

WEIGHT: - SEE DATA SHEET

SCALE: NOT TO SCALE



30 Pine Street, Pittsburgh, PA 15223
 Tel (412) 781-9003 Fax (412) 385-4715

NAME	DATE
DWN LJK	10/27/2021
CHK MGJ	10/27/2021

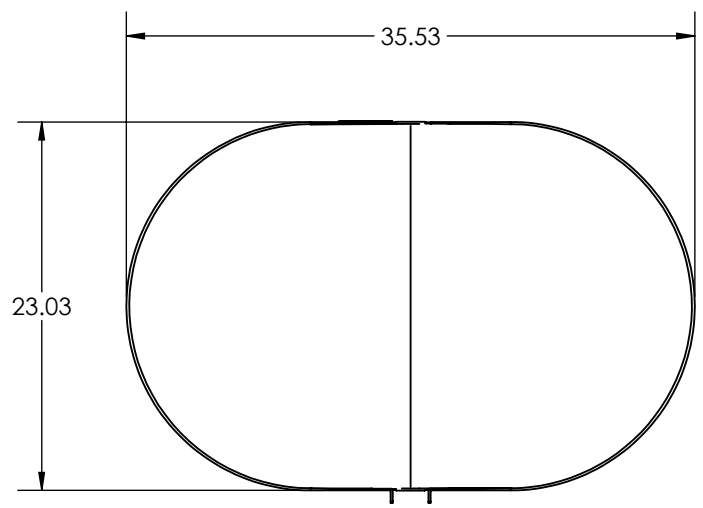
DO NOT SCALE DRAWING

PROPRIETARY AND CONFIDENTIAL

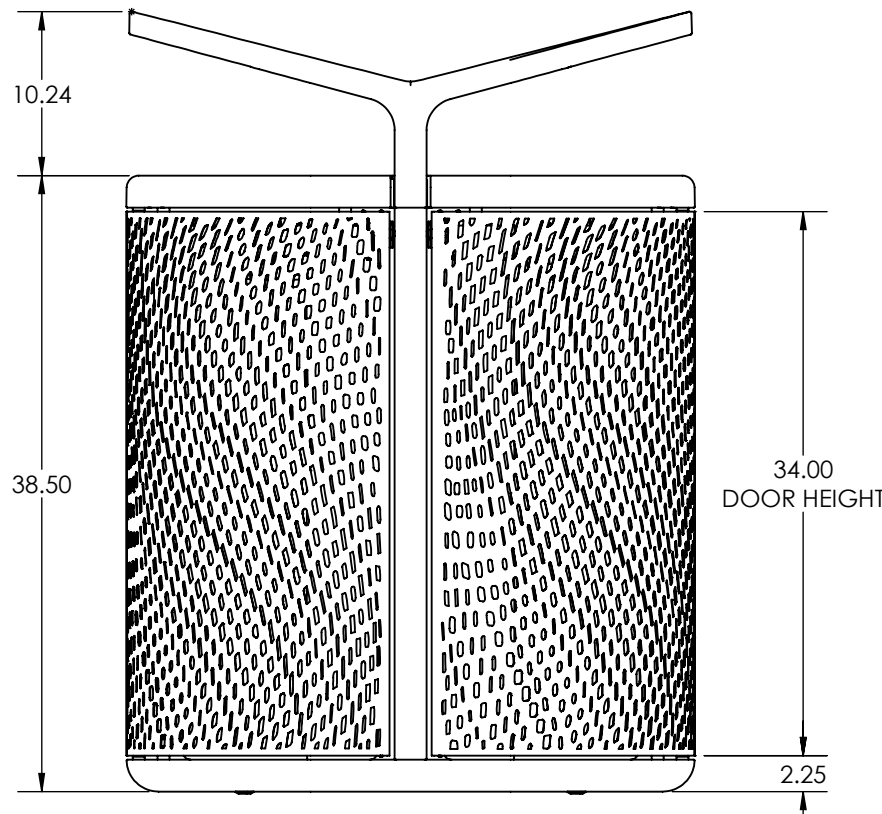
THE INFORMATION CONTAINED IN THIS DRAWING IS THE SOLE PROPERTY OF FORMS + SURFACES. ANY REPRODUCTION IN PART OR AS A WHOLE WITHOUT WRITTEN PERMISSION IS PROHIBITED.

DESCRIPTION:			
TONYO RECEPTACLE, WARP PERFORATION			
SLTNO-230S,HAT,SST,WARP,GRPH,FRS			
SIZE	DWG. NO.	REV	SHEET
B	SLTNO-230S-HAT-WARP-GRPH-CS	0	1 OF 1

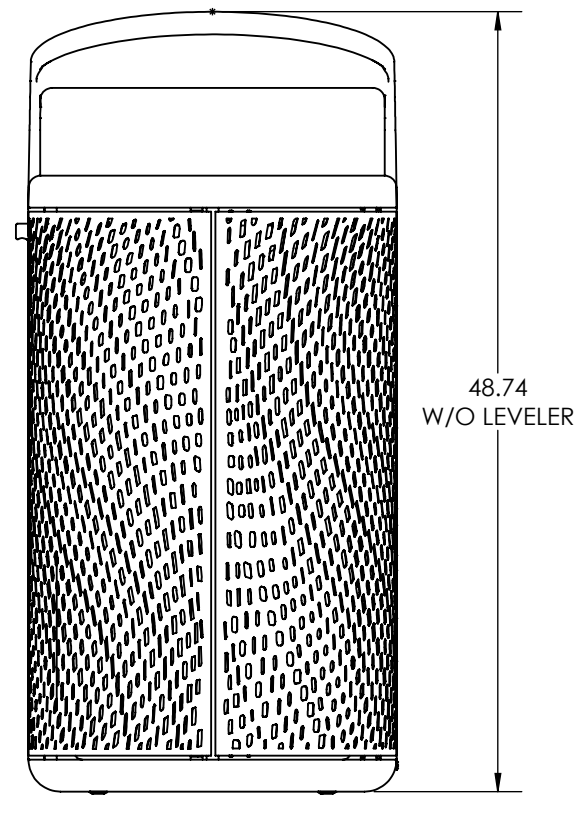
8 7 6 5 4 3 2 1



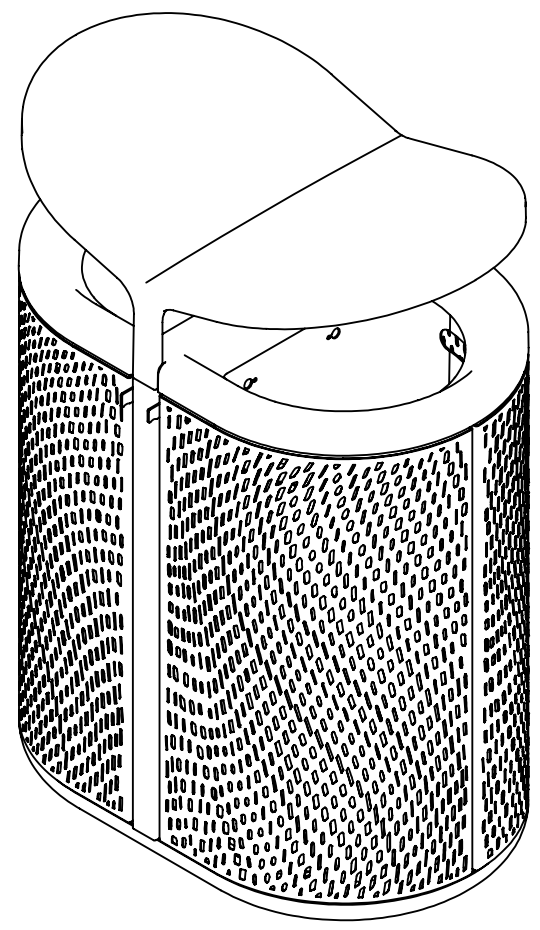
TOP VIEW



FRONT VIEW



SIDE VIEW



ISOMETRIC VIEW

CUSTOMER APPROVAL:

X _____

DATE:

X _____

UNLESS OTHERWISE SPECIFIED:
 1. PRIMARY DIM. ARE IN INCHES & SECONDARY [DIM] IN MM
 2. TOLERANCES
 FRACTIONAL: ±1/32; ANGULAR/BEND: ±1°
 TWO PLACE DECIMAL ±.030
 THREE PLACE DECIMAL ±.020
 3. REMOVE ALL BURRS AND SHARP EDGES
 THIRD ANGLE PROJECTION
 MATERIAL: SEE DATA SHEET
 FINISH: - SEE DATA SHEET
 WEIGHT: - SEE DATA SHEET
 SCALE: NOT TO SCALE



30 Pine Street, Pittsburgh, PA 15223
 Tel (412) 781-9003 Fax (412) 385-4715

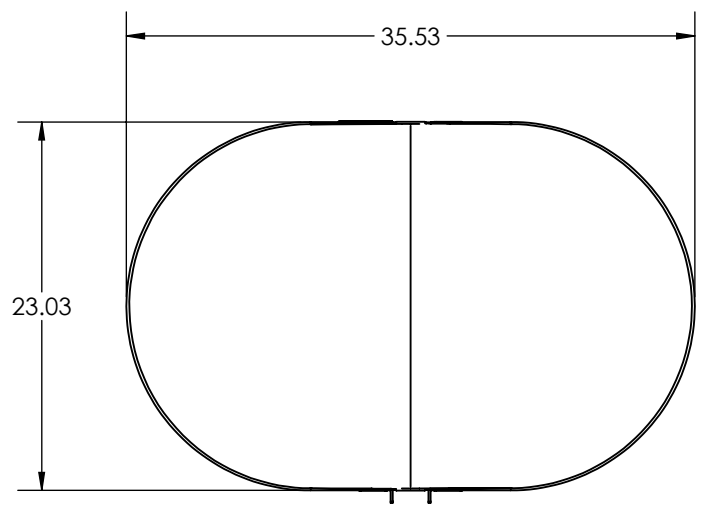
NAME	DATE
DWN LJK	10/27/2021
CHK MGJ	10/27/2021

DESCRIPTION:
TONYO RECEPTACLE, WARP PERFORATION
SLTNO-230S,HAT,SST,WARP,FRS

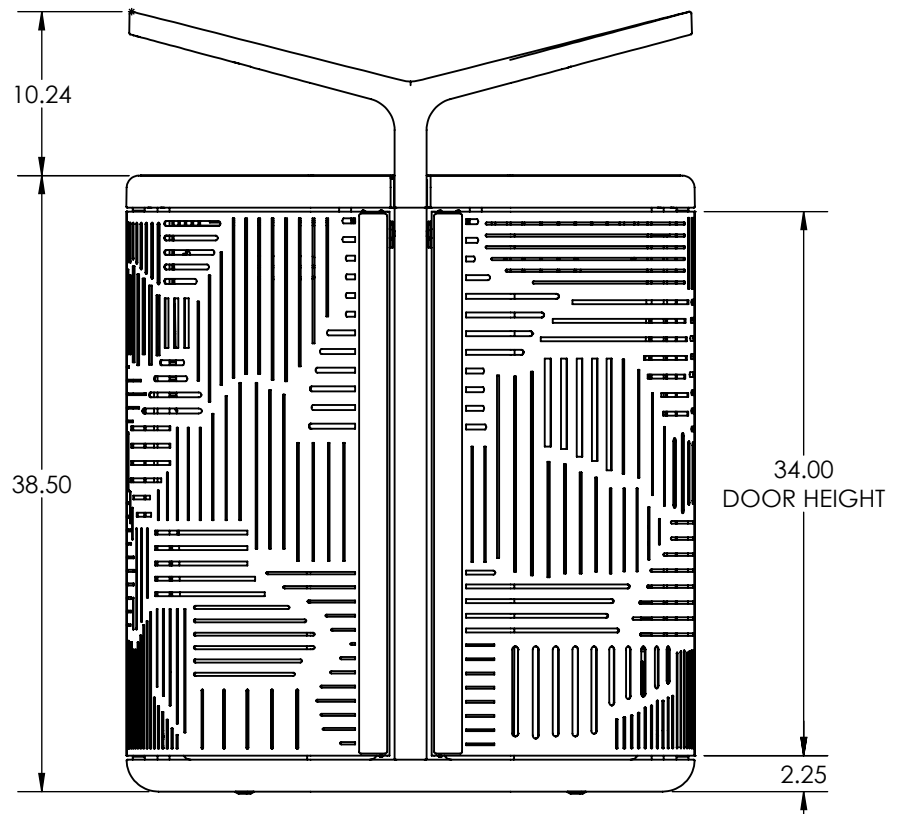
SIZE	DWG. NO.	REV	SHEET
B	SLTNO-230S-HAT-WARP-CS	0	1 OF 1

8 7 6 5 4 3 2 1

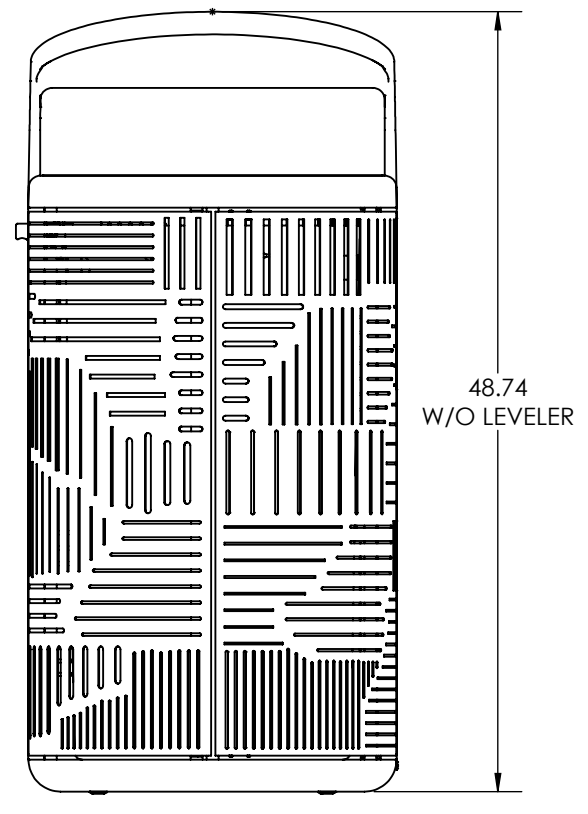
8 7 6 5 4 3 2 1



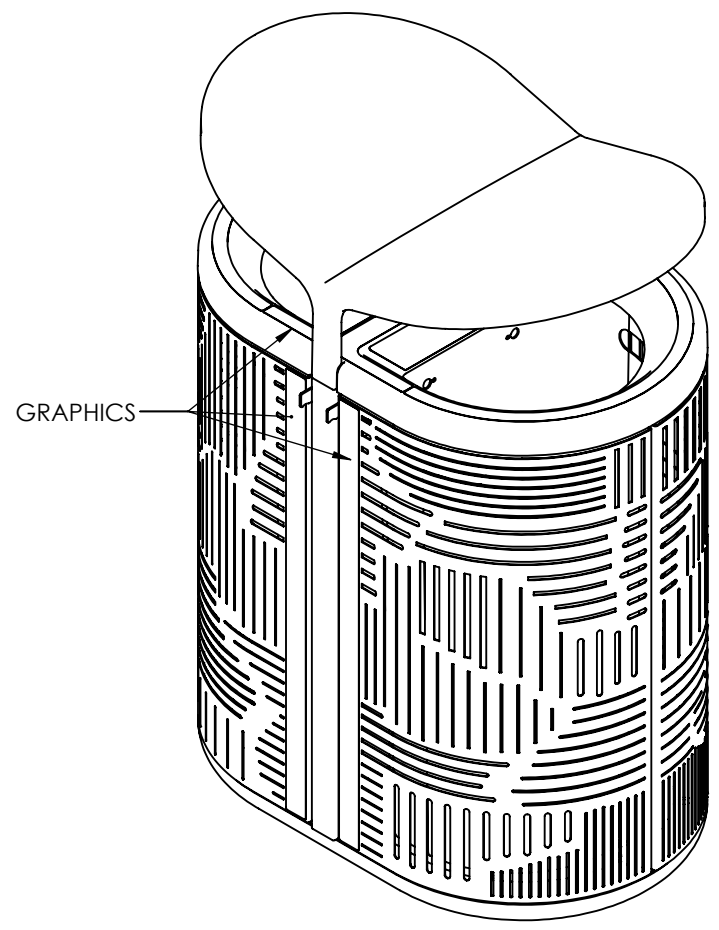
TOP VIEW



FRONT VIEW



SIDE VIEW



ISOMETRIC VIEW

CUSTOMER APPROVAL:

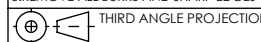
X _____

DATE:

X _____

UNLESS OTHERWISE SPECIFIED:

- 1. PRIMARY DIM. ARE IN INCHES & SECONDARY [DIM] IN MM
- 2. TOLERANCES
 FRACTIONAL: ±1/32; ANGULAR/BEND: ±1°
 TWO PLACE DECIMAL ±.030
 THREE PLACE DECIMAL ±.020
- 3. REMOVE ALL BURRS AND SHARP EDGES



MATERIAL: SEE DATA SHEET

FINISH: - SEE DATA SHEET

WEIGHT: - SEE DATA SHEET

SCALE: NOT TO SCALE



30 Pine Street, Pittsburgh, PA 15223
Tel (412) 781-9003 Fax (412) 385-4715

NAME	DATE
DWN LJK	10/27/2021
CHK MGJ	10/27/2021

DO NOT SCALE DRAWING

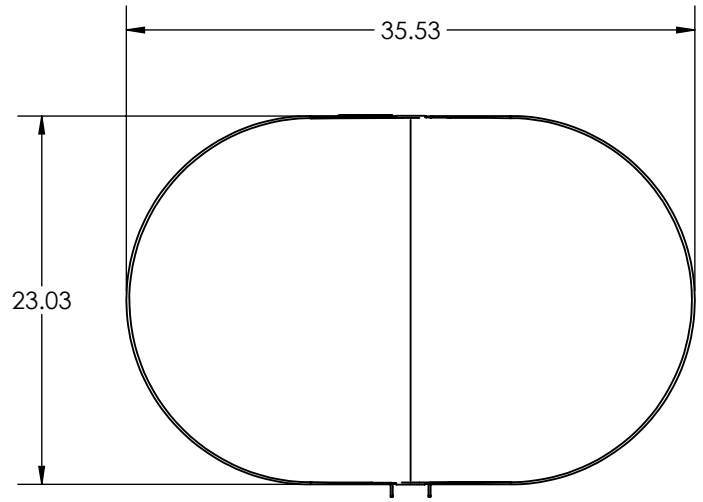
PROPRIETARY AND CONFIDENTIAL

THE INFORMATION CONTAINED IN THIS DRAWING IS THE SOLE PROPERTY OF FORMS + SURFACES. ANY REPRODUCTION IN PART OR AS A WHOLE WITHOUT WRITTEN PERMISSION IS PROHIBITED.

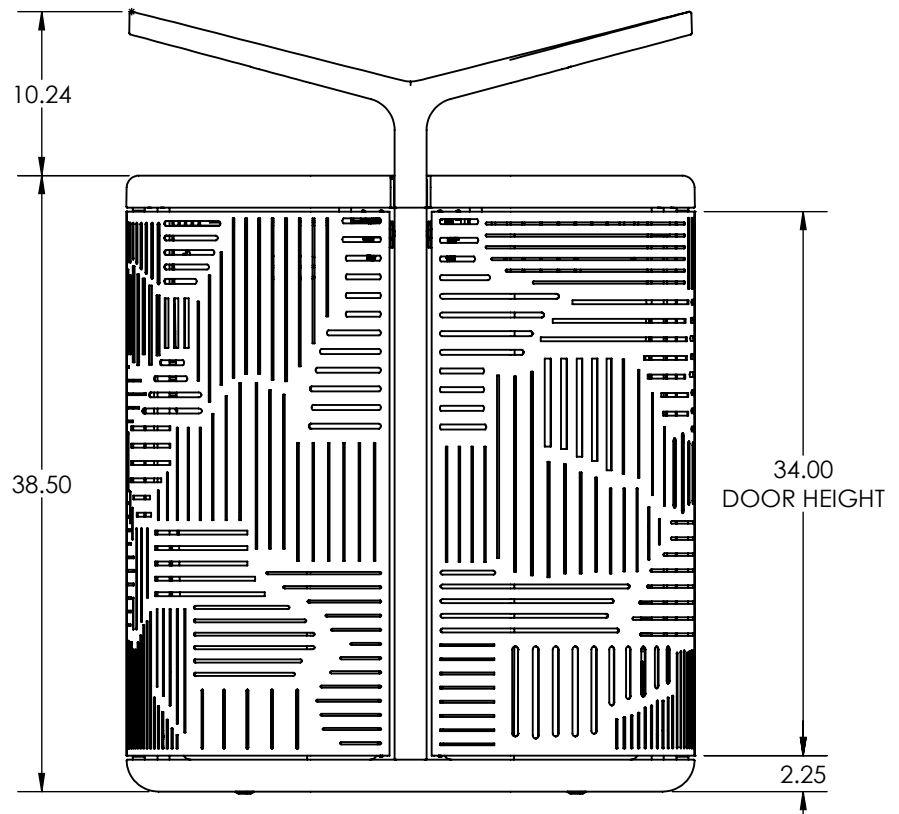
DESCRIPTION:			
TONYO RECEPTACLE, TERRA PERFORATION			
SLTNO-230S,HAT,SST,TERRA,GRPH,FRS			
SIZE	DWG. NO.	REV	SHEET
B	SLTNO-230S-HAT-TERRA-GRPH-CS	0	1 OF 1

8 7 6 5 4 3 2 1

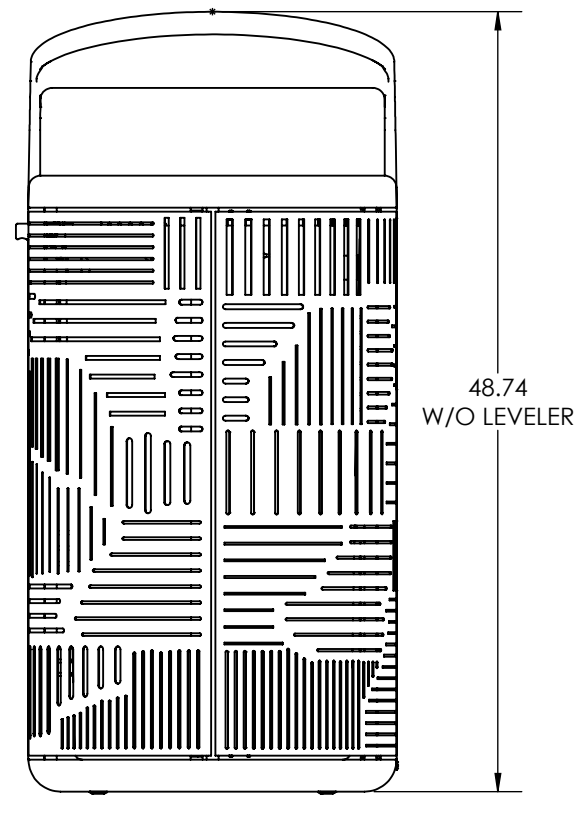
8 7 6 5 4 3 2 1



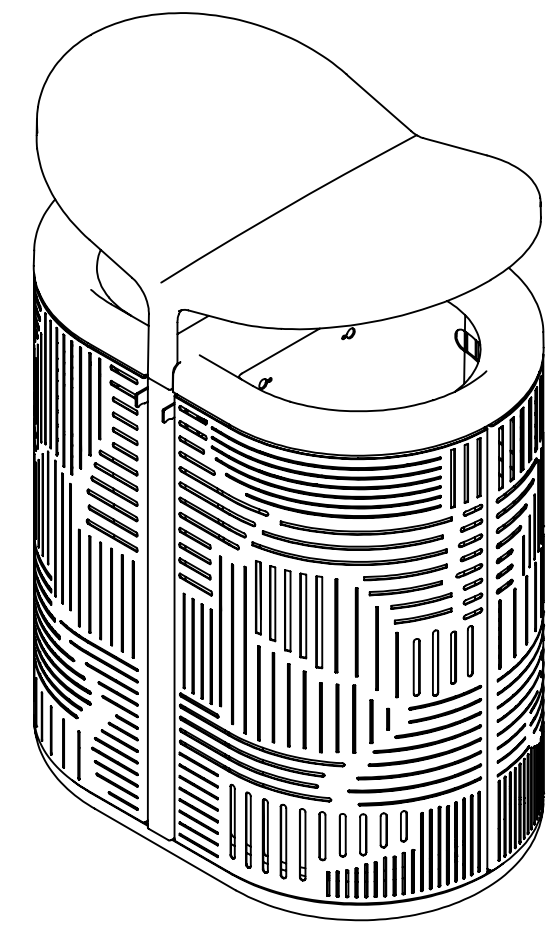
TOP VIEW



FRONT VIEW



SIDE VIEW



ISOMETRIC VIEW

CUSTOMER APPROVAL:

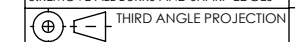
X _____

DATE:

X _____

UNLESS OTHERWISE SPECIFIED:

- 1. PRIMARY DIM. ARE IN INCHES & SECONDARY [DIM] IN MM
- 2. TOLERANCES
 FRACTIONAL: ±1/32; ANGULAR/BEND: ±1°
 TWO PLACE DECIMAL ±.030
 THREE PLACE DECIMAL ±.020
- 3. REMOVE ALL BURRS AND SHARP EDGES



MATERIAL: SEE DATA SHEET

FINISH: - SEE DATA SHEET

WEIGHT: - SEE DATA SHEET

SCALE: NOT TO SCALE



30 Pine Street, Pittsburgh, PA 15223
Tel (412) 781-9003 Fax (412) 385-4715

NAME	DATE
DWN LJK	10/27/2021
CHK MGJ	10/27/2021

DO NOT SCALE DRAWING

PROPRIETARY AND CONFIDENTIAL

THE INFORMATION CONTAINED IN THIS DRAWING IS THE SOLE PROPERTY OF FORMS + SURFACES. ANY REPRODUCTION IN PART OR AS A WHOLE WITHOUT WRITTEN PERMISSION IS PROHIBITED.

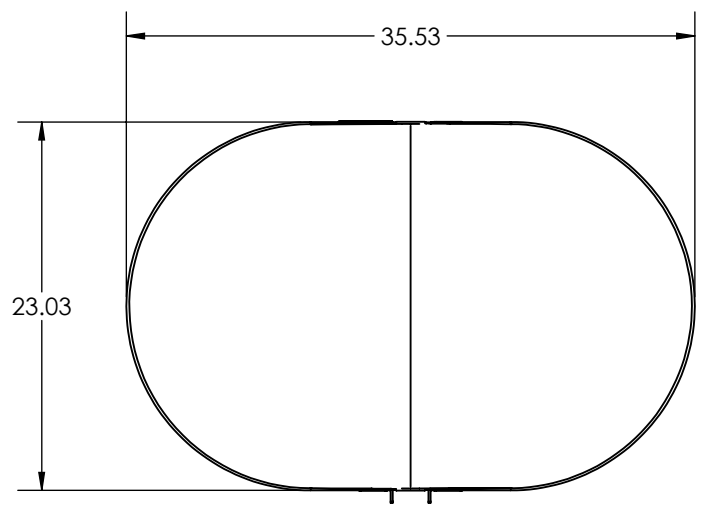
DESCRIPTION:			
TONYO RECEPTACLE, TERRA PERFORATION			
SLTNO-230S,HAT,SST,TERRA,FRS			
SIZE	DWG. NO.	REV	SHEET
B	SLTNO-230S-HAT-TERRA-CS	0	1 OF 1

8 7 6 5 4 3 2 1

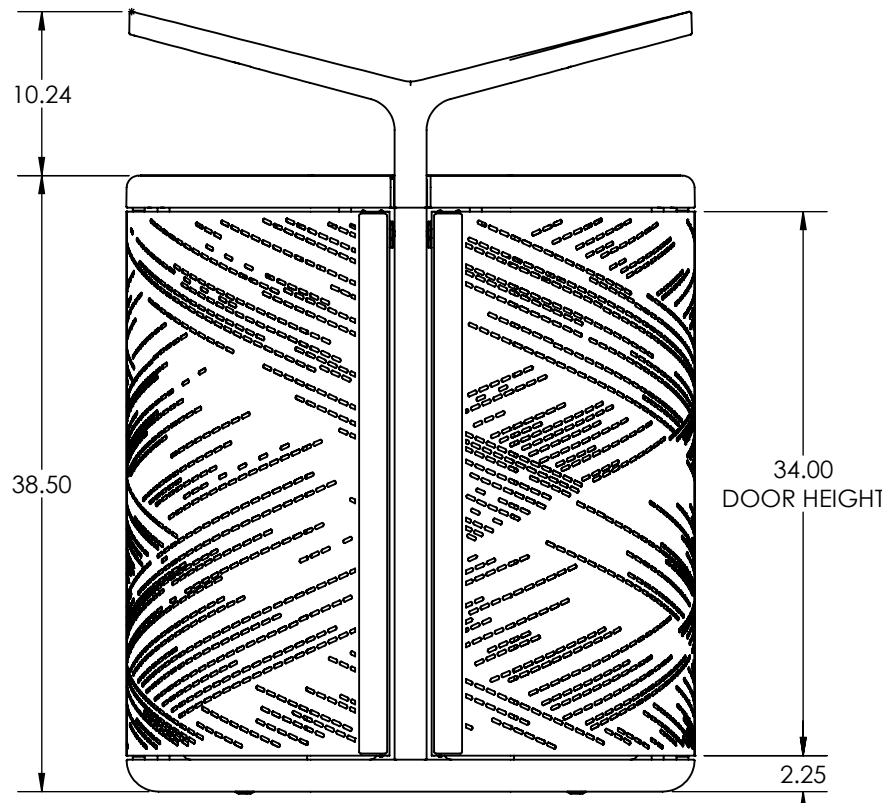
D
C
B
A

D
C
B
A

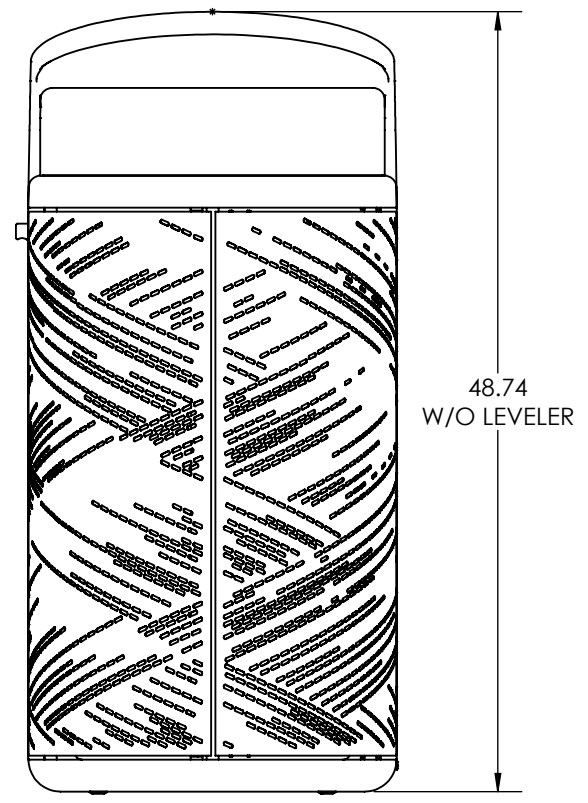
8 7 6 5 4 3 2 1



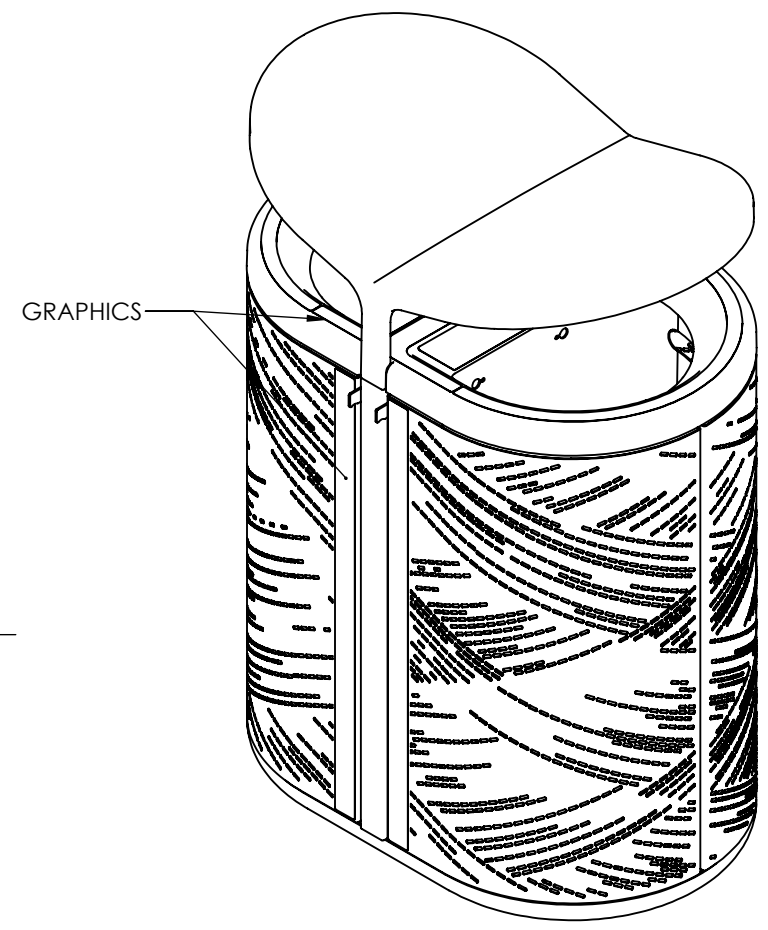
TOP VIEW



FRONT VIEW



SIDE VIEW



ISOMETRIC VIEW

CUSTOMER APPROVAL:

X _____

DATE:

X _____

UNLESS OTHERWISE SPECIFIED:
 1. PRIMARY DIM. ARE IN INCHES & SECONDARY [DIM] IN MM
 2. TOLERANCES
 FRACTIONAL: ±1/32; ANGULAR/BEND: ±1°
 TWO PLACE DECIMAL ±.030
 THREE PLACE DECIMAL ±.020
 3. REMOVE ALL BURRS AND SHARP EDGES
 THIRD ANGLE PROJECTION
 MATERIAL: SEE DATA SHEET
 FINISH: - SEE DATA SHEET
 WEIGHT: - SEE DATA SHEET
 SCALE: NOT TO SCALE



30 Pine Street, Pittsburgh, PA 15223
 Tel (412) 781-9003 Fax (412) 385-4715

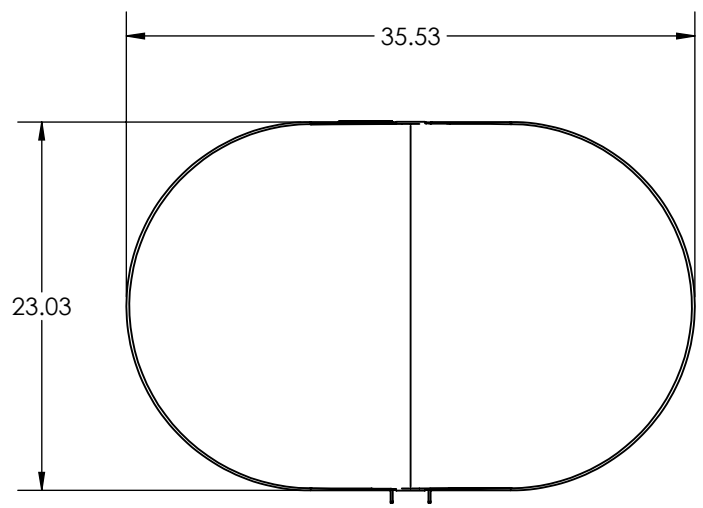
	NAME	DATE
DWN	LJK	10/27/2021
CHK	MGJ	10/27/2021

DO NOT SCALE DRAWING
PROPRIETARY AND CONFIDENTIAL
 THE INFORMATION CONTAINED IN THIS DRAWING IS THE SOLE PROPERTY OF FORMS + SURFACES. ANY REPRODUCTION IN PART OR AS A WHOLE WITHOUT WRITTEN PERMISSION IS PROHIBITED.

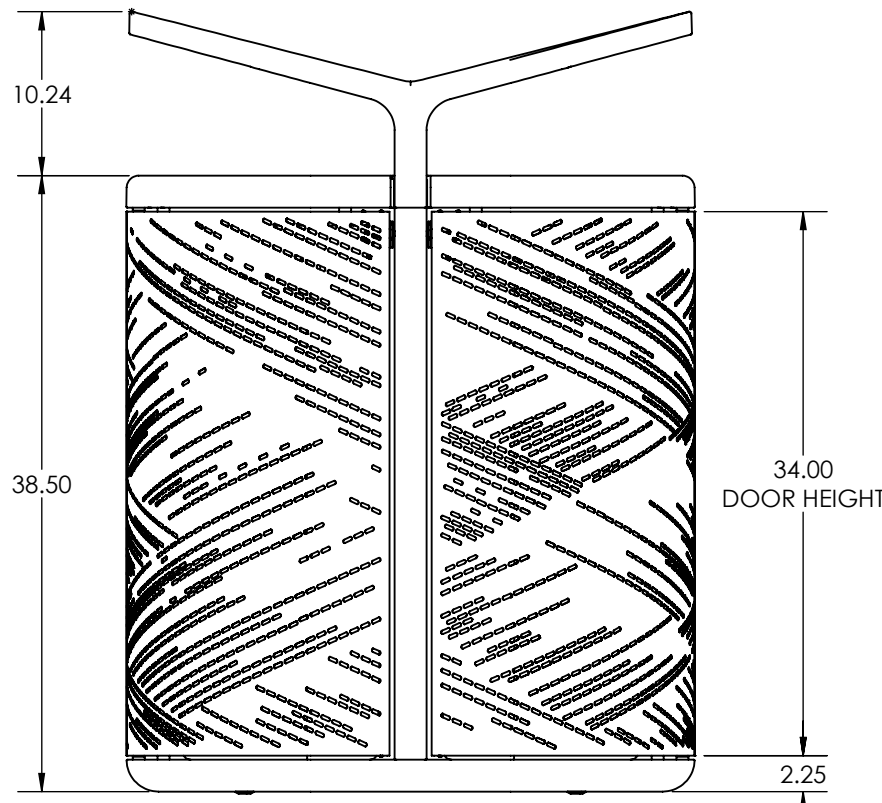
DESCRIPTION:			
TONYO RECEPTACLE, PLAIT PERFORATION			
SLTNO-230S,HAT,SST,PLAIT,GRPH,FRS			
SIZE	DWG. NO.	REV	SHEET
B	SLTNO-230S-HAT-PLAIT-GRPH-CS	0	1 OF 1

8 7 6 5 4 3 2 1

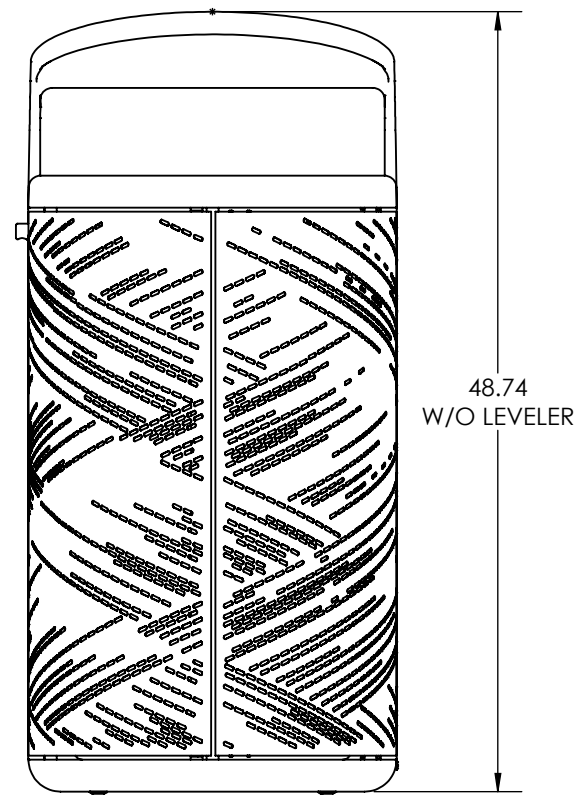
8 7 6 5 4 3 2 1



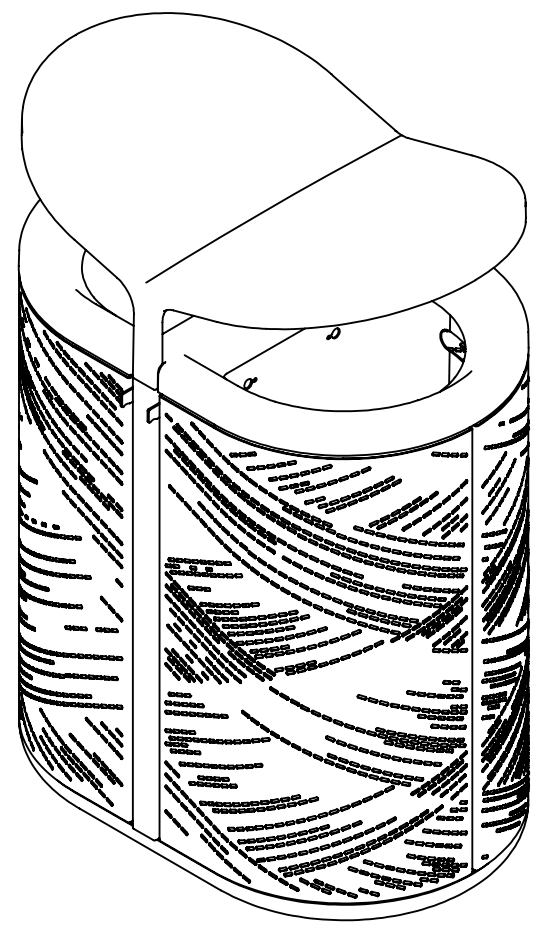
TOP VIEW



FRONT VIEW



SIDE VIEW



ISOMETRIC VIEW

CUSTOMER APPROVAL:

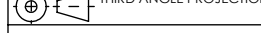
X _____

DATE:

X _____

UNLESS OTHERWISE SPECIFIED:

- 1. PRIMARY DIM. ARE IN INCHES & SECONDARY [DIM] IN MM
- 2. TOLERANCES
 FRACTIONAL: ±1/32; ANGULAR/BEND: ±1°
 TWO PLACE DECIMAL ±.030
 THREE PLACE DECIMAL ±.020
- 3. REMOVE ALL BURRS AND SHARP EDGES



MATERIAL: SEE DATA SHEET

FINISH: - SEE DATA SHEET

WEIGHT: - SEE DATA SHEET

SCALE: NOT TO SCALE



30 Pine Street, Pittsburgh, PA 15223
Tel (412) 781-9003 Fax (412) 385-4715

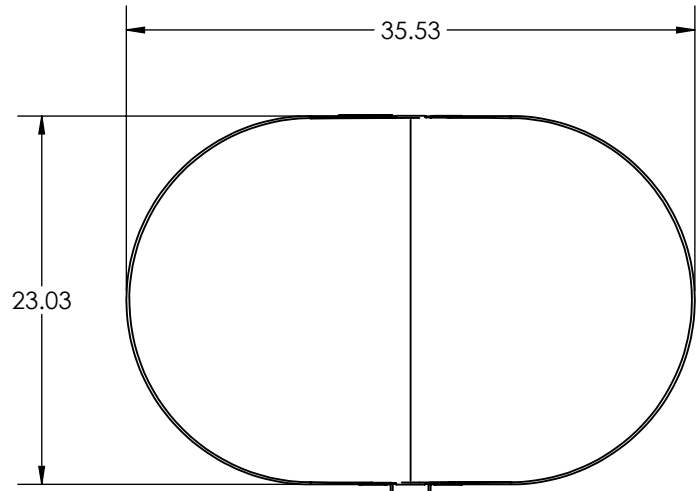
	NAME	DATE
DWN	LJK	10/27/2021
CHK	MGJ	10/27/2021

DO NOT SCALE DRAWING

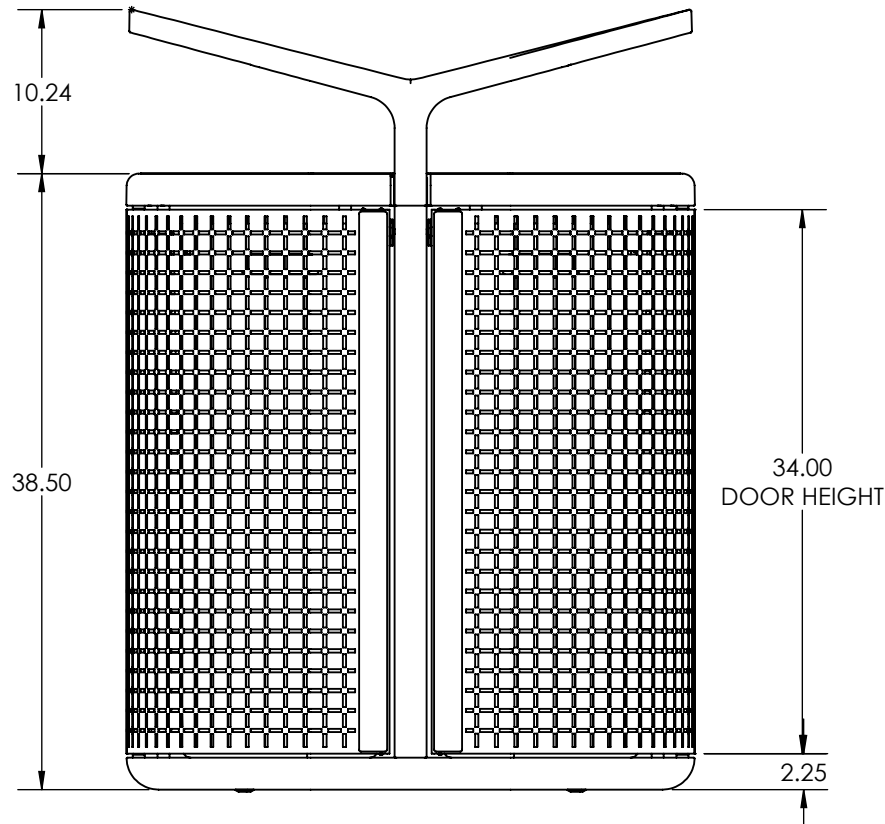
PROPRIETARY AND CONFIDENTIAL
 THE INFORMATION CONTAINED IN THIS DRAWING IS THE SOLE PROPERTY OF FORMS + SURFACES. ANY REPRODUCTION IN PART OR AS A WHOLE WITHOUT WRITTEN PERMISSION IS PROHIBITED.

DESCRIPTION:			
TONYO RECEPTACLE, PLAIT PERFORATION			
SLTNO-230S,HAT,SST,PLAIT,FRS			
SIZE	DWG. NO.	REV	SHEET
B	SLTNO-230S-HAT-PLAIT-CS	0	1 OF 1

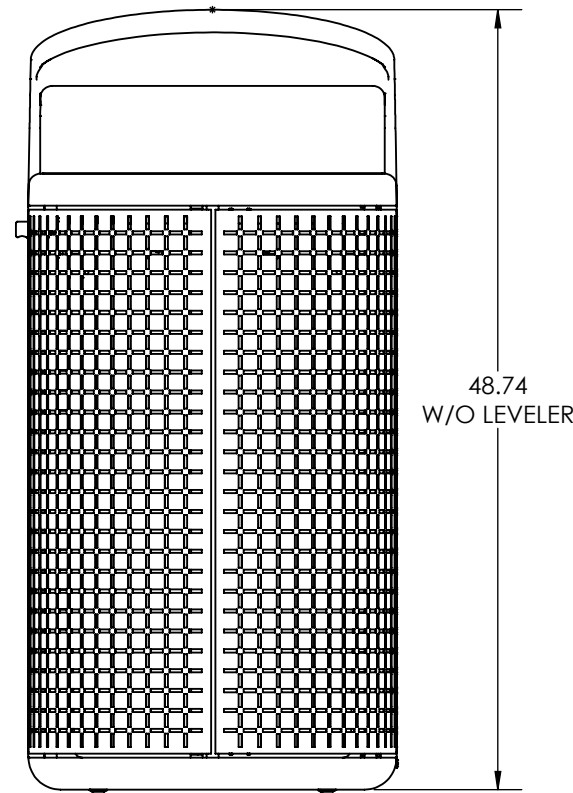
8 7 6 5 4 3 2 1



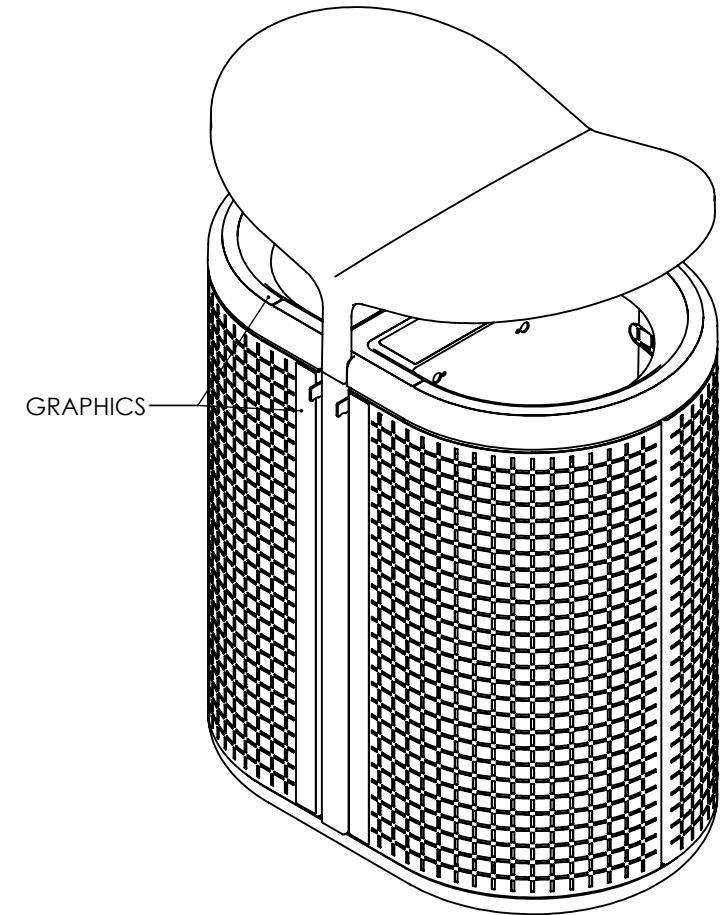
TOP VIEW



FRONT VIEW



SIDE VIEW



ISOMETRIC VIEW

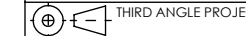
CUSTOMER APPROVAL:

X _____

DATE:

X _____

UNLESS OTHERWISE SPECIFIED:
 1. PRIMARY DIM. ARE IN INCHES & SECONDARY [DIM] IN MM
 2. TOLERANCES
 FRACTIONAL: ±1/32; ANGULAR/BEND: ±1°
 TWO PLACE DECIMAL ±.030
 THREE PLACE DECIMAL ±.020
 3. REMOVE ALL BURRS AND SHARP EDGES



MATERIAL: SEE DATA SHEET

FINISH: - SEE DATA SHEET

WEIGHT: - SEE DATA SHEET

SCALE: NOT TO SCALE



30 Pine Street, Pittsburgh, PA 15223
 Tel (412) 781-9003 Fax (412) 385-4715

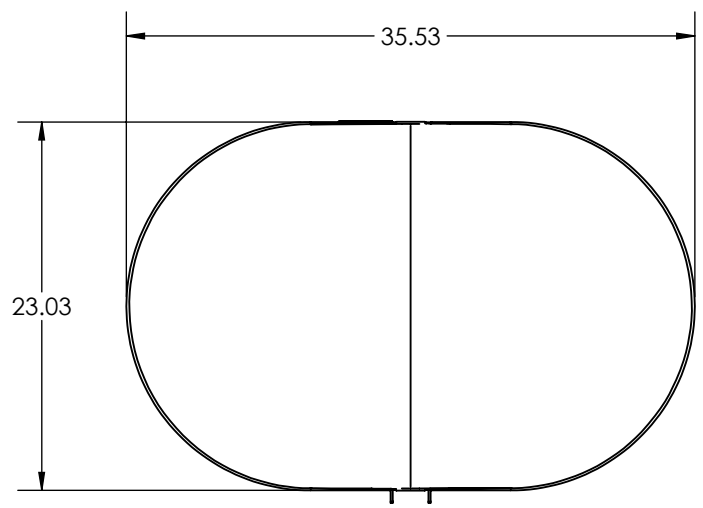
NAME	DATE
DWN LJK	10/27/2021
CHK MGJ	10/27/2021

DO NOT SCALE DRAWING

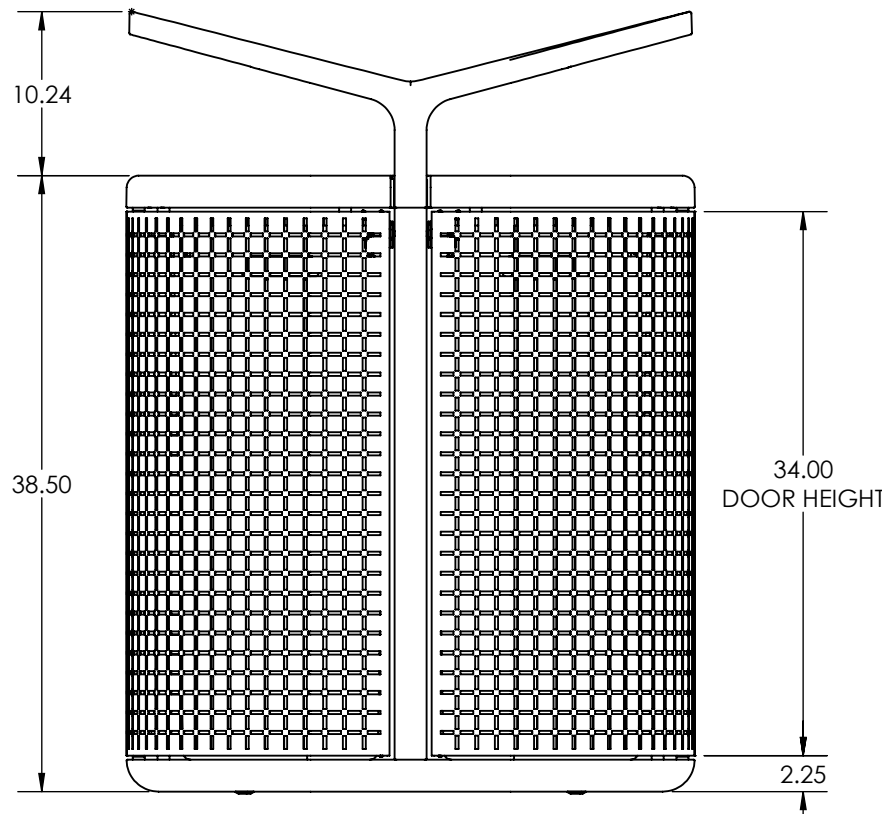
PROPRIETARY AND CONFIDENTIAL
 THE INFORMATION CONTAINED IN THIS DRAWING IS THE SOLE PROPERTY OF FORMS + SURFACES. ANY REPRODUCTION IN PART OR AS A WHOLE WITHOUT WRITTEN PERMISSION IS PROHIBITED.

DESCRIPTION:			
TONYO RECEPTACLE, NOTCH PERFORATION			
SLTNO-230S,HAT,SST,NOTCH,GRPH,FRS			
SIZE	DWG. NO.	REV	SHEET
B	SLTNO-230S-HAT-NOTCH-GRPH-CS	0	1 OF 1

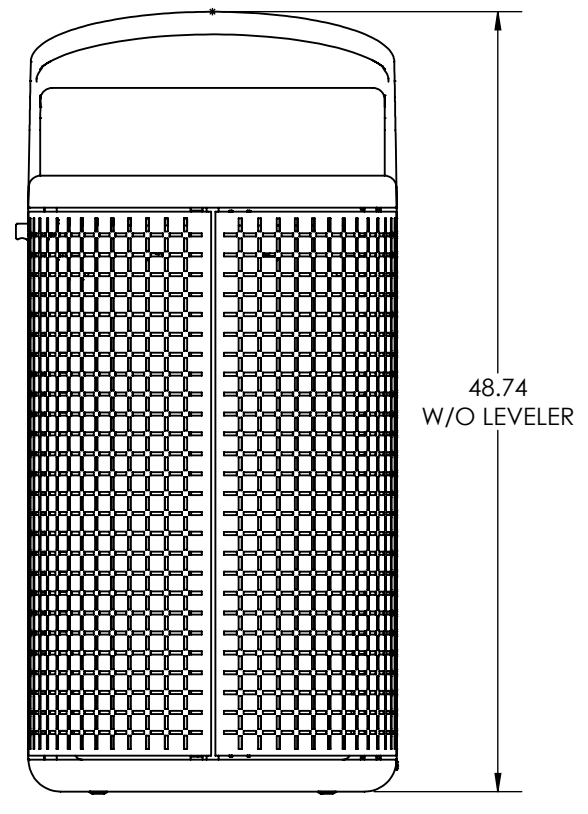
8 7 6 5 4 3 2 1



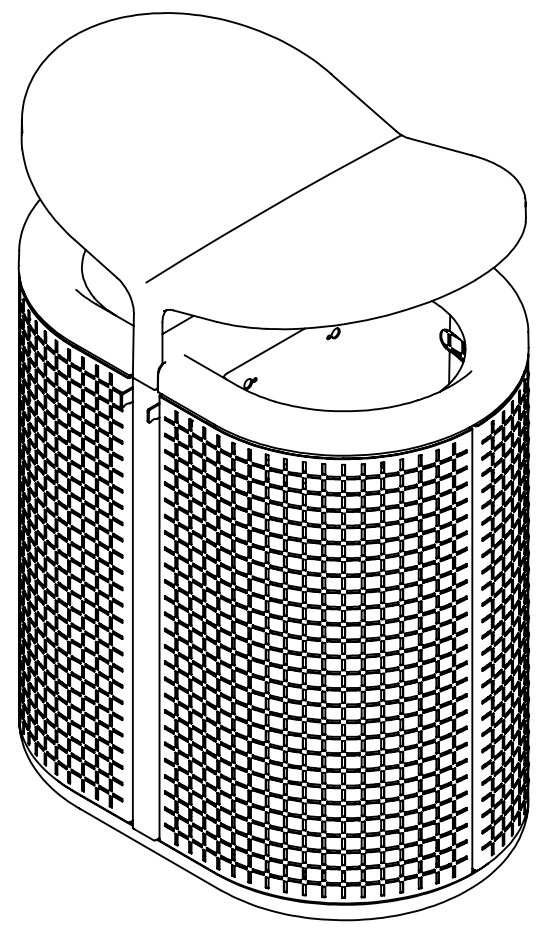
TOP VIEW



FRONT VIEW



SIDE VIEW



ISOMETRIC VIEW

CUSTOMER APPROVAL:

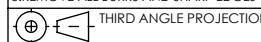
X _____

DATE:

X _____

UNLESS OTHERWISE SPECIFIED:

- 1. PRIMARY DIM. ARE IN INCHES & SECONDARY [DIM] IN MM
- 2. TOLERANCES
 FRACTIONAL: ±1/32; ANGULAR/BEND: ±1°
 TWO PLACE DECIMAL ±.030
 THREE PLACE DECIMAL ±.020
- 3. REMOVE ALL BURRS AND SHARP EDGES



MATERIAL: SEE DATA SHEET

FINISH: - SEE DATA SHEET

WEIGHT: - SEE DATA SHEET

SCALE: NOT TO SCALE



30 Pine Street, Pittsburgh, PA 15223
Tel (412) 781-9003 Fax (412) 385-4715

NAME	DATE
DWN LJK	10/27/2021
CHK MGJ	10/27/2021

DO NOT SCALE DRAWING

PROPRIETARY AND CONFIDENTIAL

THE INFORMATION CONTAINED IN THIS DRAWING IS THE SOLE PROPERTY OF FORMS + SURFACES. ANY REPRODUCTION IN PART OR AS A WHOLE WITHOUT WRITTEN PERMISSION IS PROHIBITED.

DESCRIPTION:			
TONYO RECEPTACLE, NOTCH PERFORATION SLTNO-230S,HAT,SST,NOTCH,FRS			
SIZE	DWG. NO.	REV	SHEET
B	SLTNO-230S-HAT-NOTCH-CS	0	1 OF 1

8 7 6 5 4 3 2 1