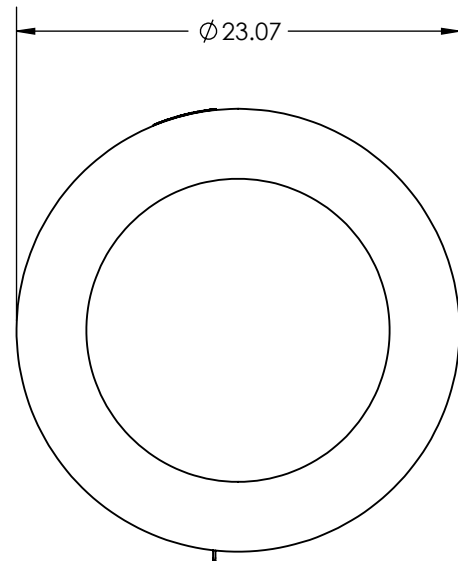
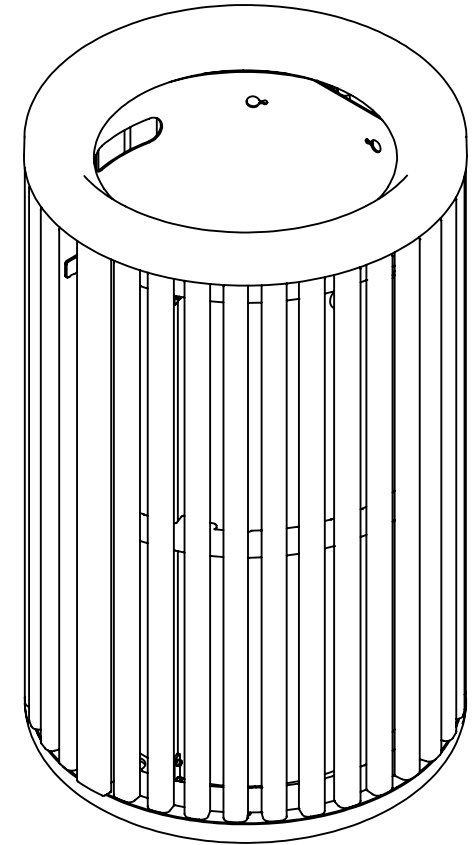


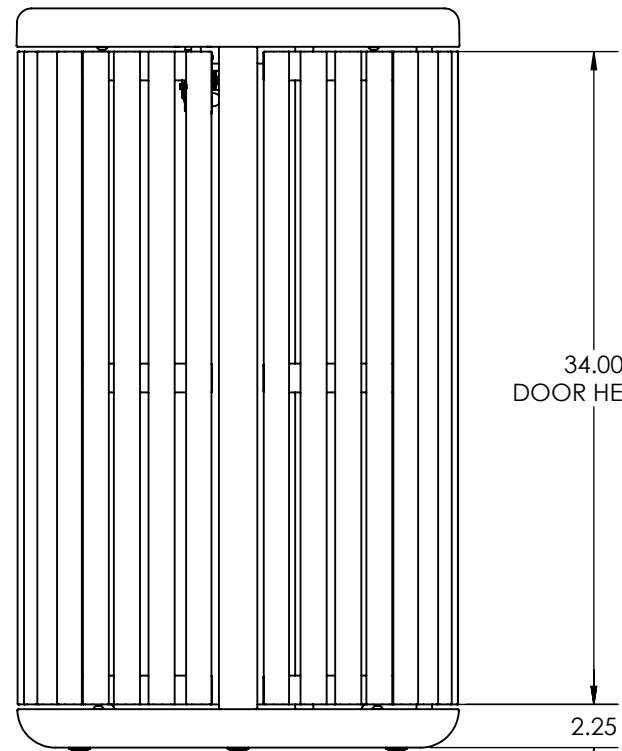
8 7 6 5 4 3 2 1



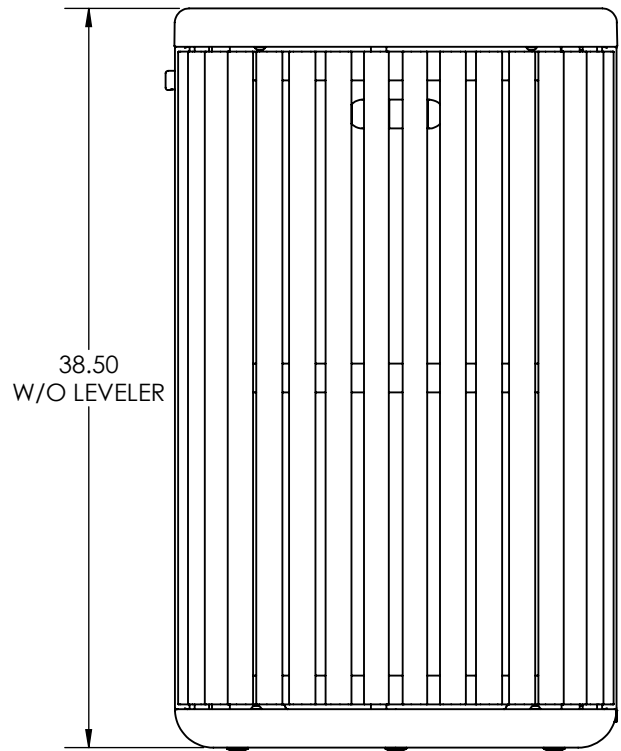
TOP VIEW



ISO VIEW



FRONT VIEW



SIDE VIEW

34.00
DOOR HEIGHT

38.50
W/O LEVELER

2.25

CUSTOMER APPROVAL:

X _____

DATE:

X _____

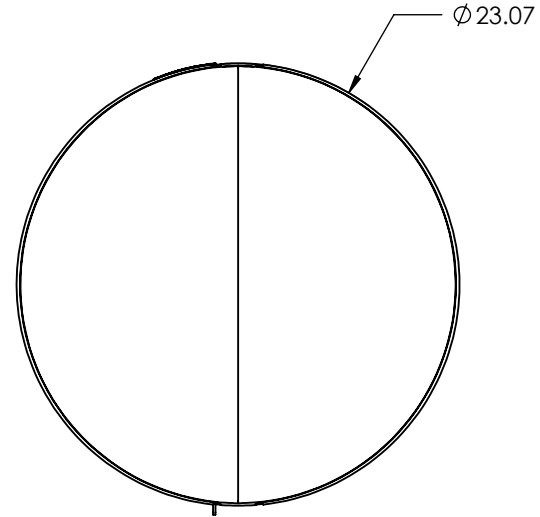
UNLESS OTHERWISE SPECIFIED: 1. PRIMARY DIM. ARE IN INCHES & SECONDARY [DIM] IN MM 2. TOLERANCES FRACTIONAL: ±1/32; ANGULAR/BEND: ±1° TWO PLACE DECIMAL ±.030 THREE PLACE DECIMAL ±.020 3. REMOVE ALL BURRS AND SHARP EDGES THIRD ANGLE PROJECTION				30 Pine Street, Pittsburgh, PA 15223 Tel (412) 781-9003 Fax (412) 385-4715	
MATERIAL: SEE DATA SHEET FINISH: - SEE DATA SHEET WEIGHT: - SEE DATA SHEET SCALE: NOT TO SCALE		NAME: DWN DATE: 11-25-2020 NAME: CHK DATE: 11-25-2020		DESCRIPTION: SLTNO-136C, NO HAT, CUMARU, FRS	
PROPRIETARY AND CONFIDENTIAL THE INFORMATION CONTAINED IN THIS DRAWING IS THE SOLE PROPERTY OF FORMS + SURFACES. ANY REPRODUCTION IN PART OR AS A WHOLE WITHOUT WRITTEN PERMISSION IS PROHIBITED.		SIZE: B	DWG. NO.: SLTNO-136C-NO HAT-CS	REV: 0	SHEET: 1 OF 1

8 7 6 5 4 3 2 1

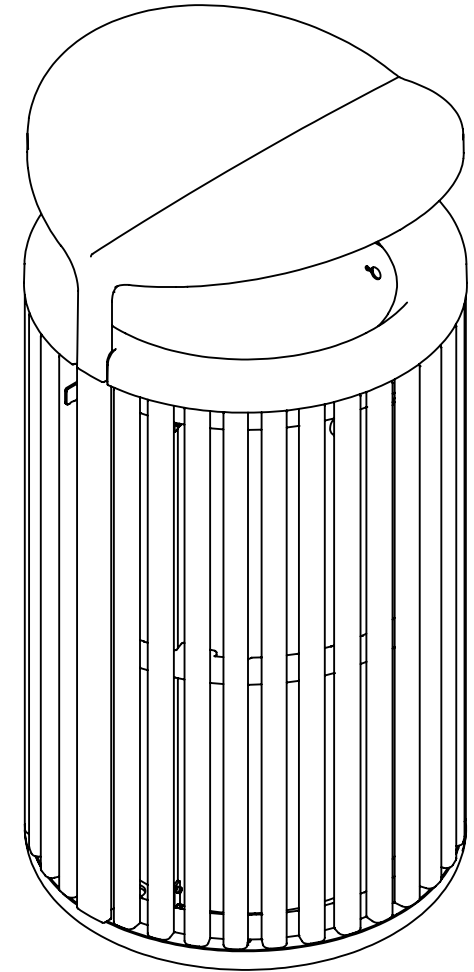
D
C
B
A

D
C
B
A

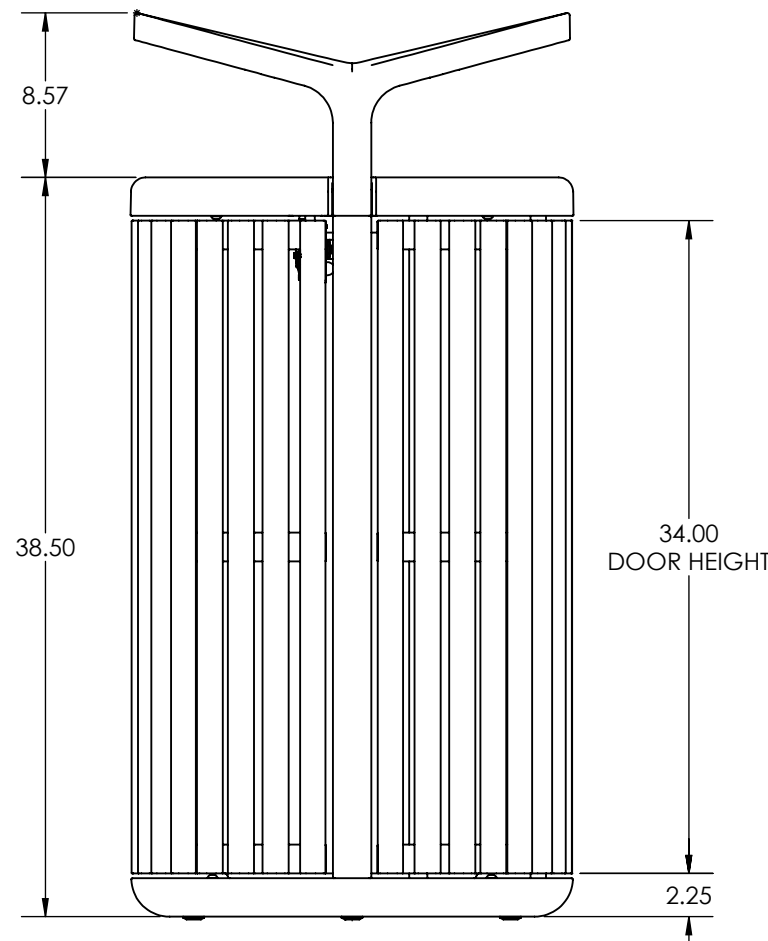
8 7 6 5 4 3 2 1



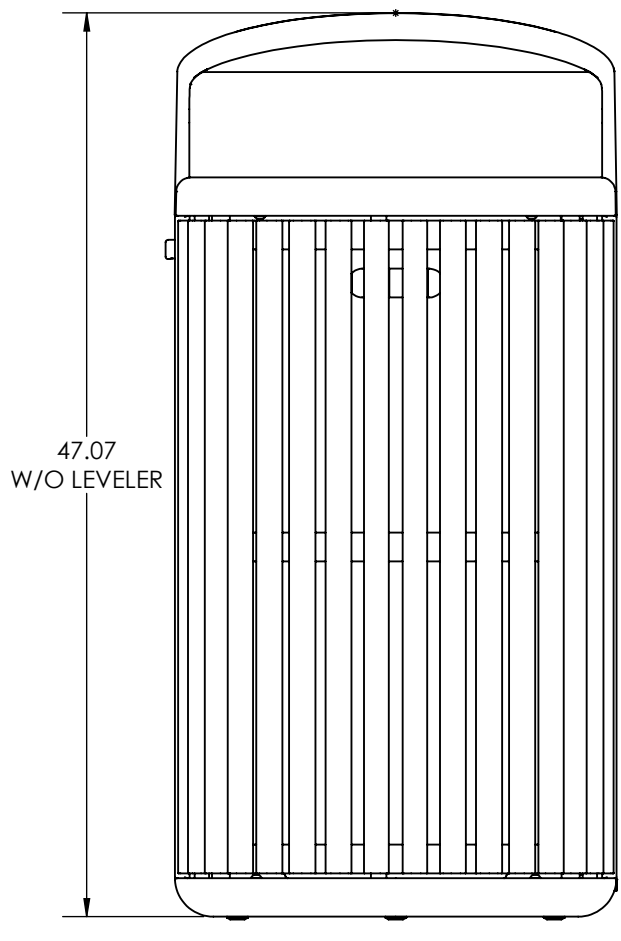
TOP VIEW



ISO VIEW



FRONT VIEW



SIDE VIEW

CUSTOMER APPROVAL:

X _____

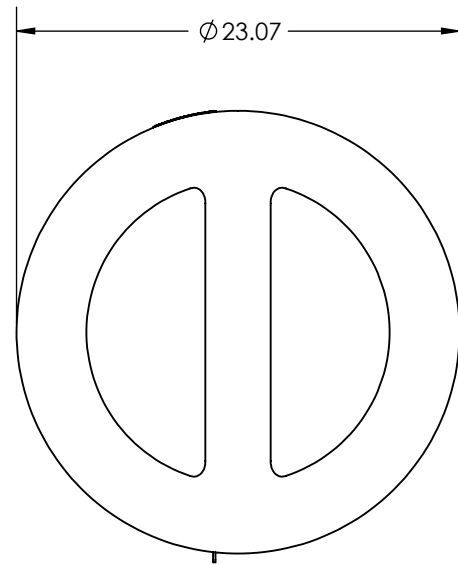
DATE:

X _____

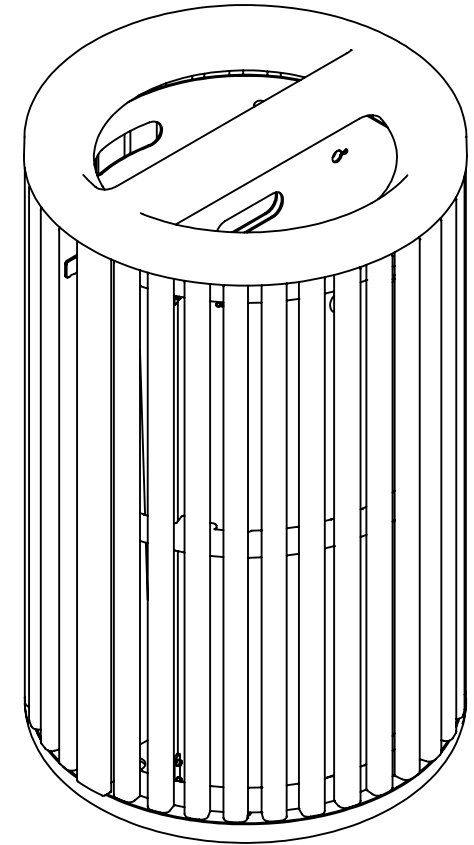
UNLESS OTHERWISE SPECIFIED: 1. PRIMARY DIM. ARE IN INCHES & SECONDARY [DIM] IN MM 2. TOLERANCES FRACTIONAL: ±1/32; ANGULAR/BEND: ±1° TWO PLACE DECIMAL ±.030 THREE PLACE DECIMAL ±.020 3. REMOVE ALL BURRS AND SHARP EDGES				30 Pine Street, Pittsburgh, PA 15223 Tel (412) 781-9003 Fax (412) 385-4715	
THIRD ANGLE PROJECTION		NAME DWN ABM	DATE 11-25-2020	DESCRIPTION: SLTNO-136C,HAT,CUMARU,FRS	
MATERIAL: SEE DATA SHEET		DO NOT SCALE DRAWING		SIZE B	
FINISH: - SEE DATA SHEET		PROPRIETARY AND CONFIDENTIAL THE INFORMATION CONTAINED IN THIS DRAWING IS THE SOLE PROPERTY OF FORMS + SURFACES. ANY REPRODUCTION IN PART OR AS A WHOLE WITHOUT WRITTEN PERMISSION IS PROHIBITED.		DWG. NO. SLTNO-136C-HAT-CS	REV 0
WEIGHT: - SEE DATA SHEET		SCALE: NOT TO SCALE		SHEET 1 OF 1	

8 7 6 5 4 3 2 1

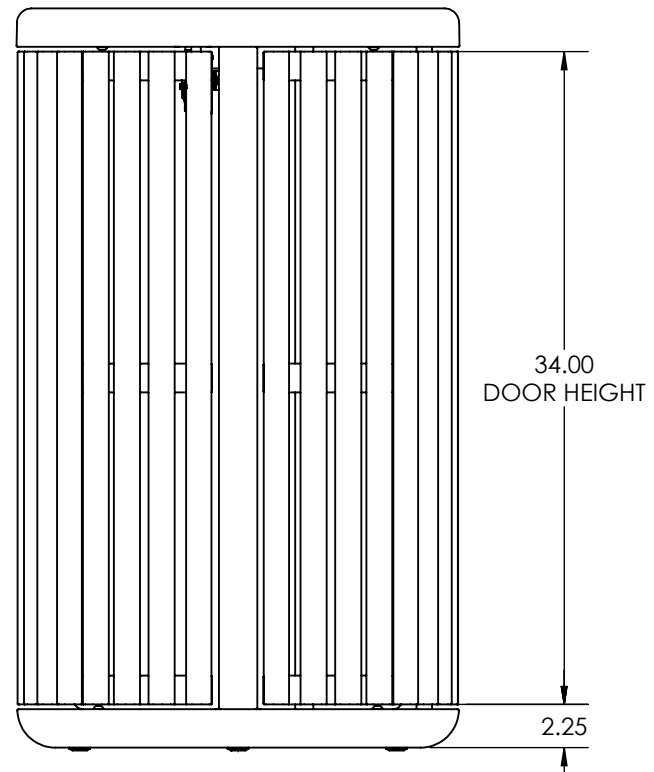
8 7 6 5 4 3 2 1



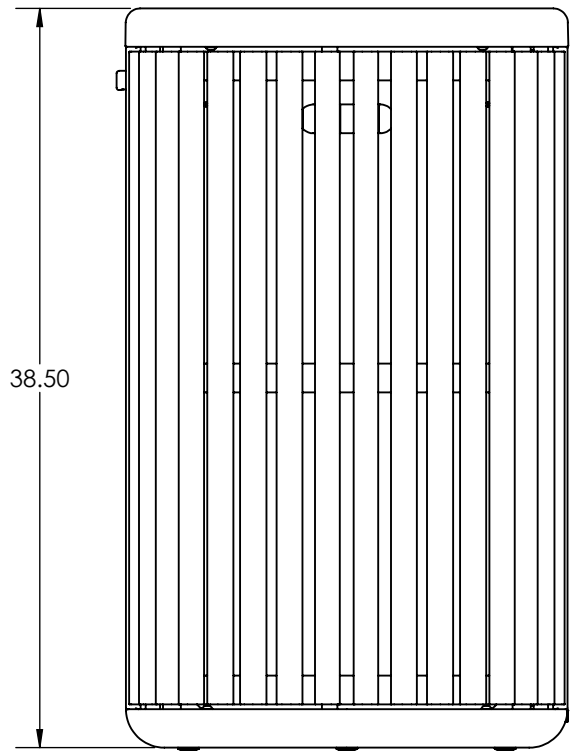
TOP VIEW



ISO VIEW



FRONT VIEW



SIDE VIEW

CUSTOMER APPROVAL:

X _____

DATE:

X _____

UNLESS OTHERWISE SPECIFIED:
 1. PRIMARY DIM. ARE IN INCHES & SECONDARY [DIM] IN MM
 2. TOLERANCES
 FRACTIONAL: ±1/32; ANGULAR/BEND: ±1°
 TWO PLACE DECIMAL ±.030
 THREE PLACE DECIMAL ±.020
 3. REMOVE ALL BURRS AND SHARP EDGES
 THIRD ANGLE PROJECTION
 MATERIAL: SEE DATA SHEET
 FINISH: - SEE DATA SHEET
 WEIGHT: - SEE DATA SHEET
 SCALE: NOT TO SCALE

FORMS+SURFACES 30 Pine Street, Pittsburgh, PA 15223
 Tel (412) 781-9003 Fax (412) 385-4715

NAME	DATE
DWN ABM	11-25-2020
CHK MGJ	11-25-2020

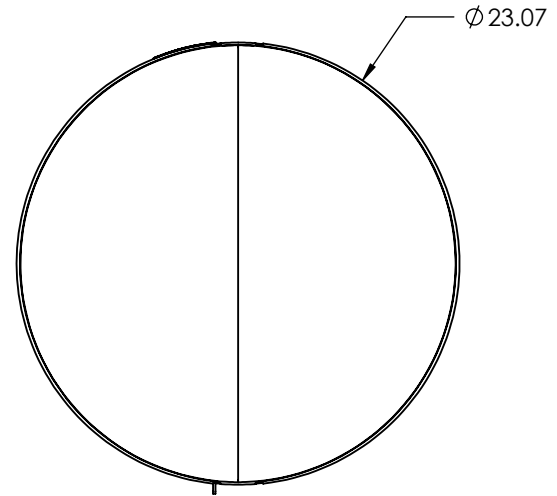
DO NOT SCALE DRAWING
PROPRIETARY AND CONFIDENTIAL
 THE INFORMATION CONTAINED IN THIS DRAWING IS THE SOLE PROPERTY OF FORMS + SURFACES. ANY REPRODUCTION IN PART OR AS A WHOLE WITHOUT WRITTEN PERMISSION IS PROHIBITED.

DESCRIPTION:			
SLTNO-218C, NO HAT, CUMARU, FRS			
SIZE	DWG. NO.	REV	SHEET
B	SLTNO-218C-NO HAT-CS	0	1 OF 1

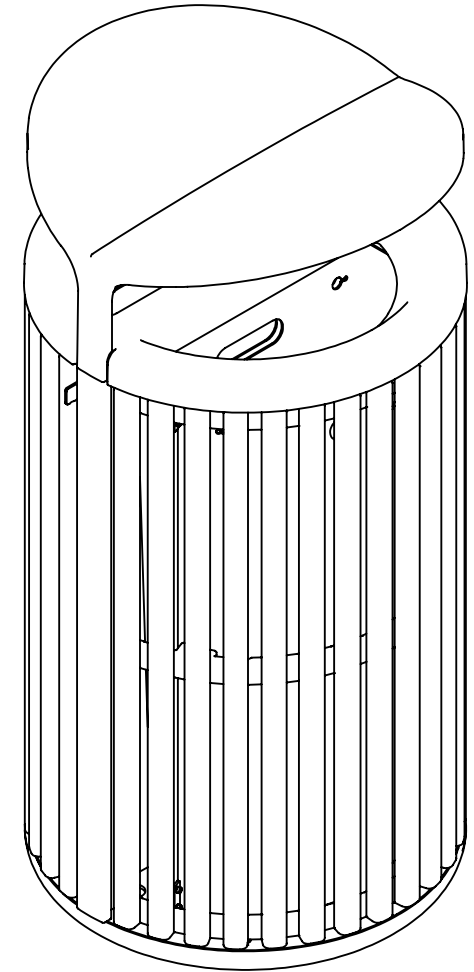
8 7 6 5 4 3 2 1

D
C
B
A

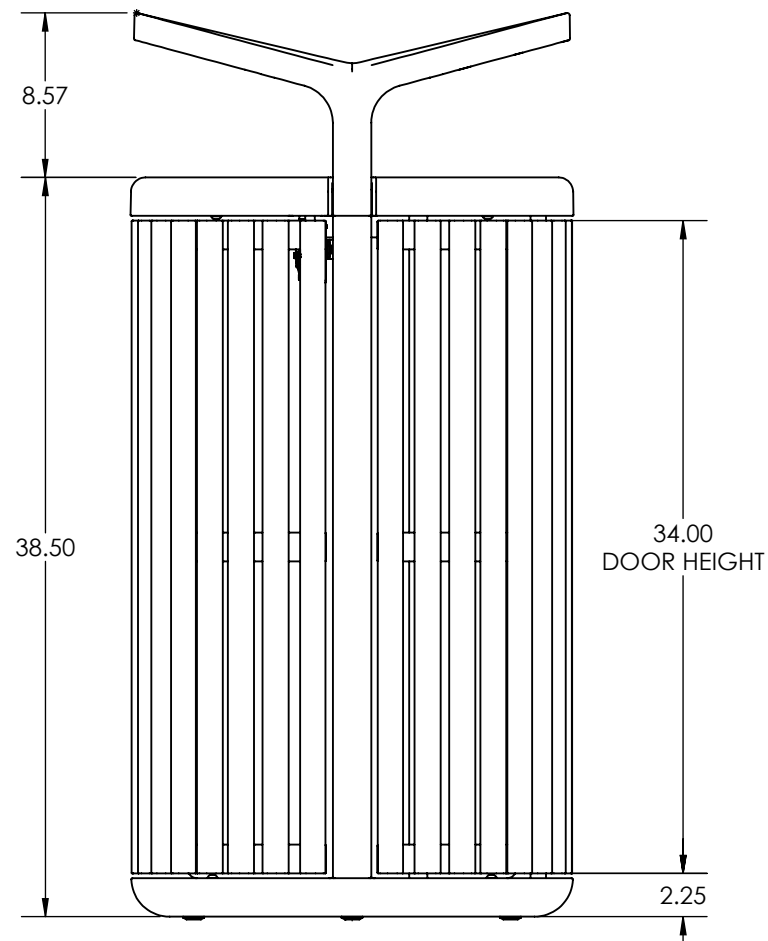
D
C
B
A



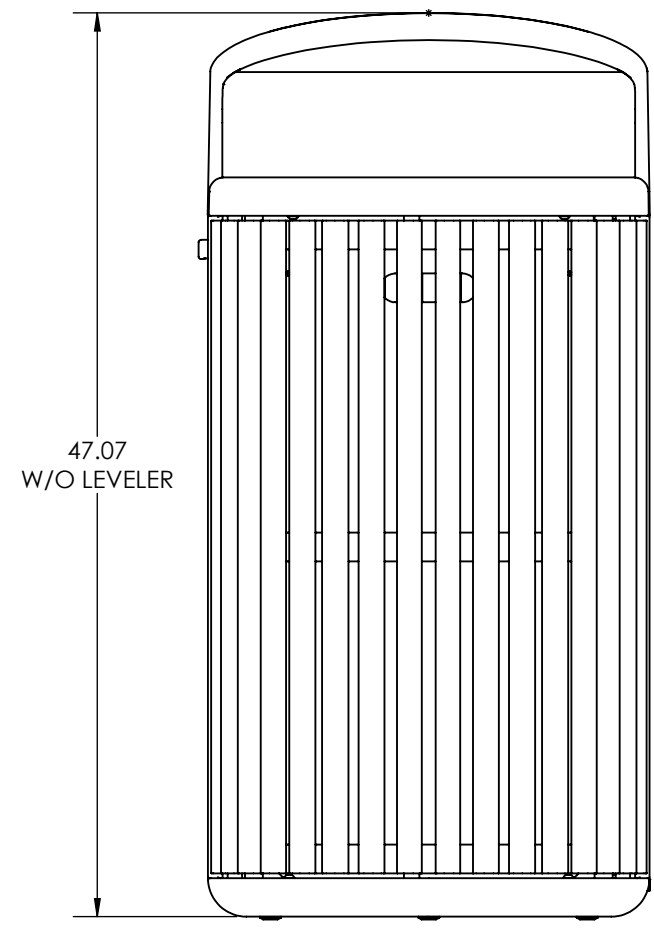
TOP VIEW



ISO VIEW



FRONT VIEW



SIDE VIEW

CUSTOMER APPROVAL:

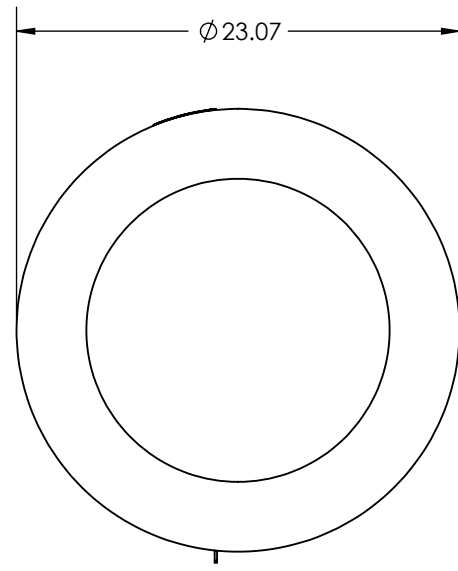
X _____

DATE:

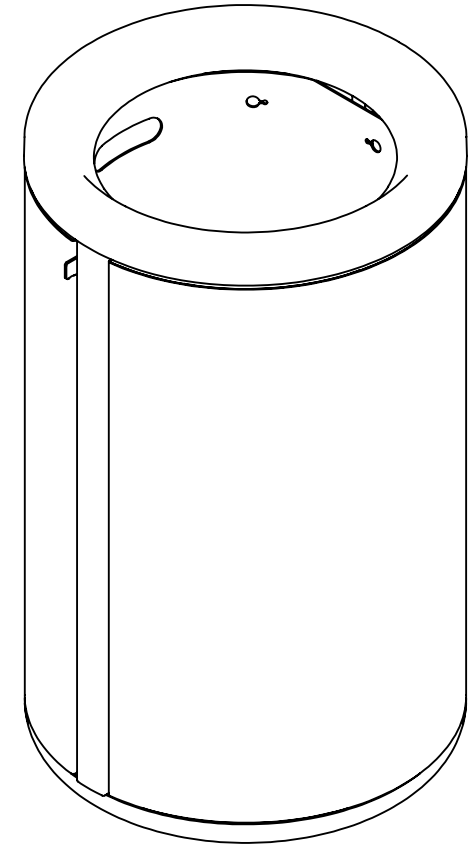
X _____

UNLESS OTHERWISE SPECIFIED: 1. PRIMARY DIM. ARE IN INCHES & SECONDARY [DIM] IN MM 2. TOLERANCES FRACTIONAL: ±1/32; ANGULAR/BEND: ±1° TWO PLACE DECIMAL ±.030 THREE PLACE DECIMAL ±.020 3. REMOVE ALL BURRS AND SHARP EDGES				30 Pine Street, Pittsburgh, PA 15223 Tel (412) 781-9003 Fax (412) 385-4715	
MATERIAL: SEE DATA SHEET FINISH: - SEE DATA SHEET WEIGHT: - SEE DATA SHEET SCALE: NOT TO SCALE		DO NOT SCALE DRAWING PROPRIETARY AND CONFIDENTIAL THE INFORMATION CONTAINED IN THIS DRAWING IS THE SOLE PROPERTY OF FORMS + SURFACES. ANY REPRODUCTION IN PART OR AS A WHOLE WITHOUT WRITTEN PERMISSION IS PROHIBITED.		DESCRIPTION: SLTNO-218C,HAT,CUMARU,FRS	
		NAME DWN ABM	DATE 11-25-2020	SIZE B	DWG. NO. SLTNO-218C-HAT-CS
		THIRD ANGLE PROJECTION 	CHK MGJ	REV 0	SHEET 1 OF 1

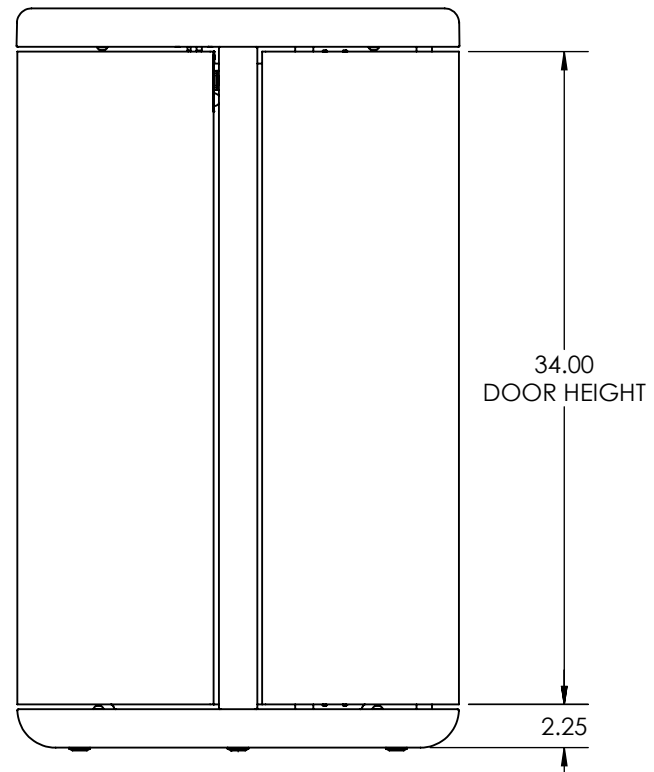
8 7 6 5 4 3 2 1



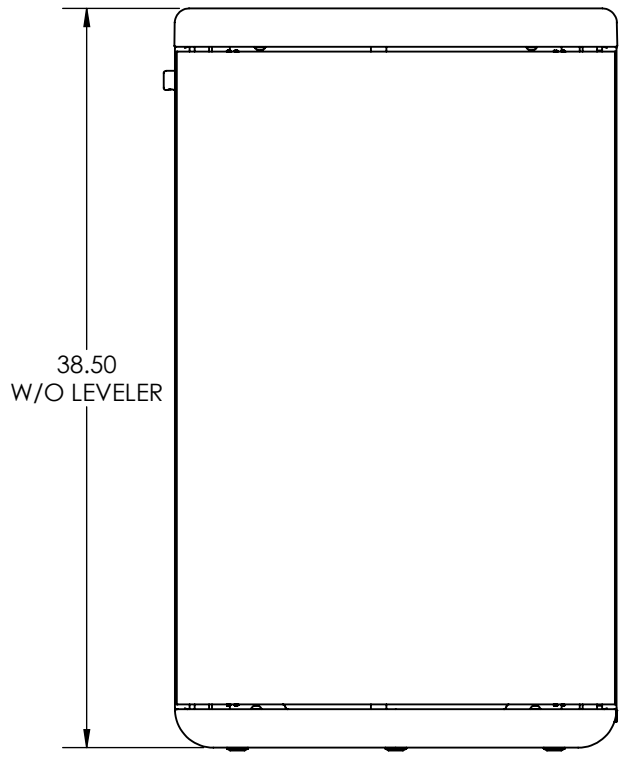
TOP VIEW



ISO VIEW



FRONT VIEW



SIDE VIEW

CUSTOMER APPROVAL:

X _____

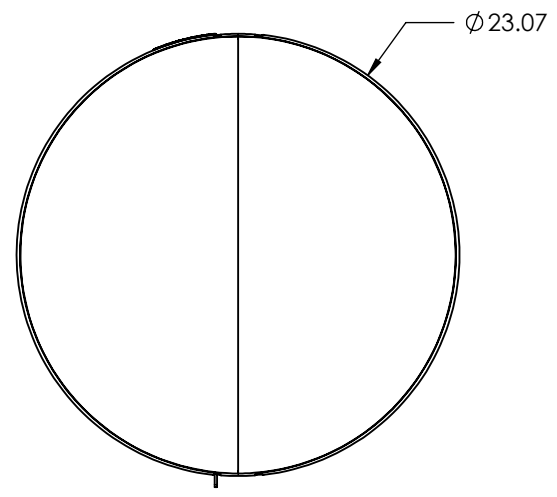
DATE:

X _____

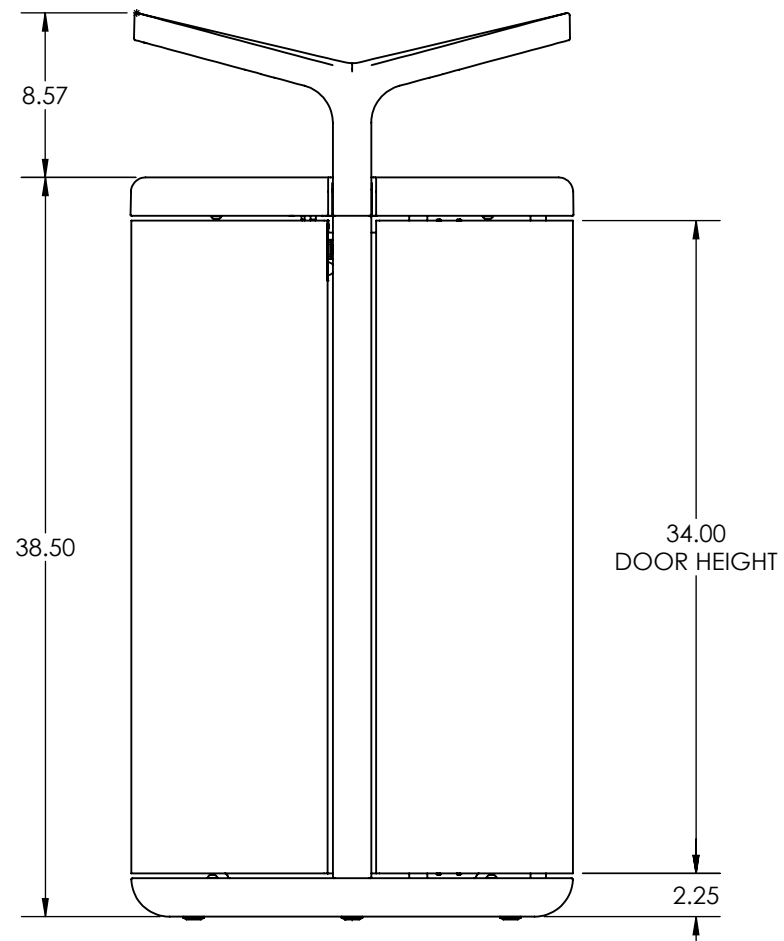
UNLESS OTHERWISE SPECIFIED:		FORMS+SURFACES		30 Pine Street, Pittsburgh, PA 15223 Tel (412) 781-9003 Fax (412) 385-4715	
1. PRIMARY DIM. ARE IN INCHES & SECONDARY [DIM] IN MM					
2. TOLERANCES					
FRACTIONAL: ±1/32; ANGULAR/BEND: ±1°					
TWO PLACE DECIMAL ±.030					
THREE PLACE DECIMAL ±.020					
3. REMOVE ALL BURRS AND SHARP EDGES					
THIRD ANGLE PROJECTION					
MATERIAL: SEE DATA SHEET		DO NOT SCALE DRAWING		DESCRIPTION:	
FINISH: - SEE DATA SHEET		PROPRIETARY AND CONFIDENTIAL		SLTNO-136S,NO HAT,SST,SOL,FRS	
WEIGHT: - SEE DATA SHEET		THE INFORMATION CONTAINED IN THIS DRAWING IS THE SOLE PROPERTY OF FORMS + SURFACES. ANY REPRODUCTION IN PART OR AS A WHOLE WITHOUT WRITTEN PERMISSION IS PROHIBITED.			
SCALE: NOT TO SCALE					
SIZE	DWG. NO.	REV	SHEET		
B	SLTNO-136S-NO HAT-CS	0	1 OF 1		

8 7 6 5 4 3 2 1

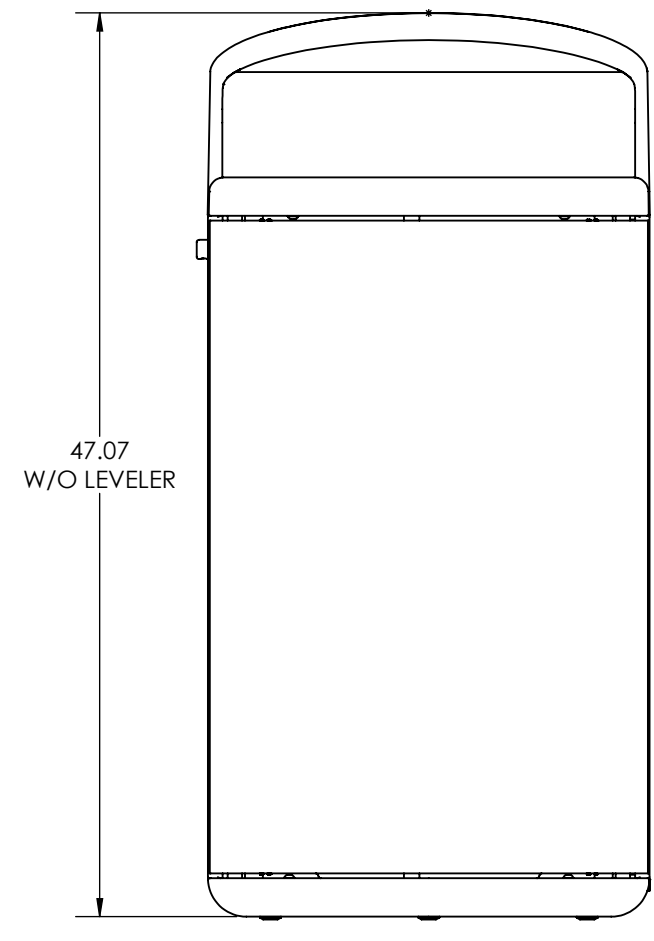
8 7 6 5 4 3 2 1



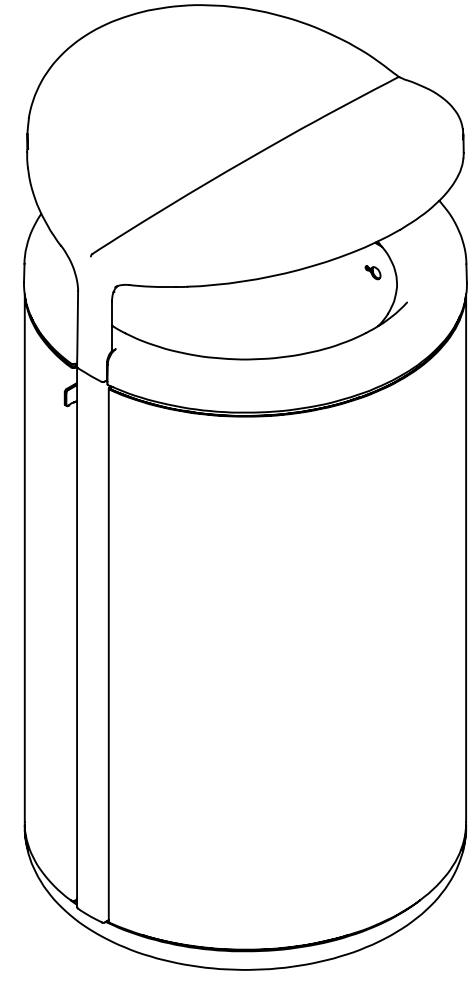
TOP VIEW



FRONT VIEW



SIDE VIEW



ISO VIEW

CUSTOMER APPROVAL:

X _____

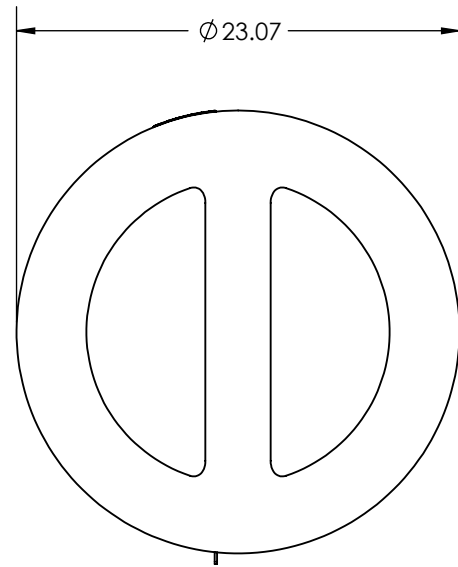
DATE:

X _____

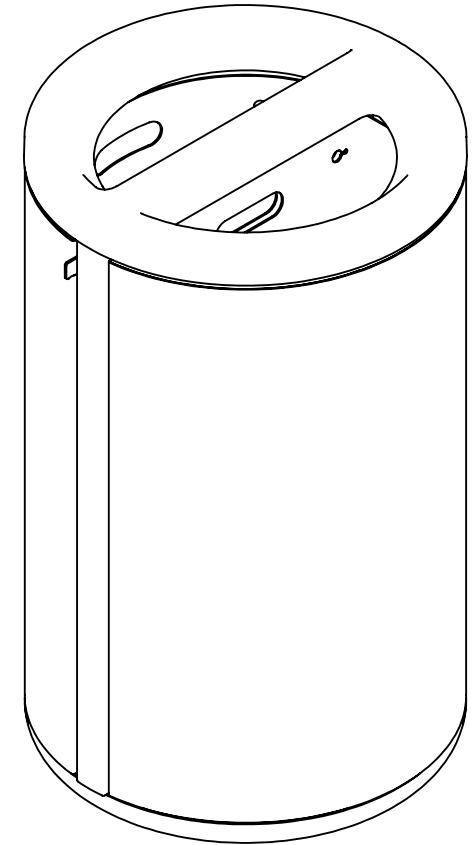
UNLESS OTHERWISE SPECIFIED: 1. PRIMARY DIM. ARE IN INCHES & SECONDARY [DIM] IN MM 2. TOLERANCES FRACTIONAL: ±1/32; ANGULAR/BEND: ±1° TWO PLACE DECIMAL ±.030 THREE PLACE DECIMAL ±.020 3. REMOVE ALL BURRS AND SHARP EDGES				30 Pine Street, Pittsburgh, PA 15223 Tel (412) 781-9003 Fax (412) 385-4715	
MATERIAL: SEE DATA SHEET FINISH: - SEE DATA SHEET WEIGHT: - SEE DATA SHEET SCALE: NOT TO SCALE		NAME: DWN DATE: 11-25-2020 NAME: CHK DATE: 11-25-2020		DESCRIPTION: SLTNO-136S,HAT,SST,SOL,FRS	
THE INFORMATION CONTAINED IN THIS DRAWING IS THE SOLE PROPERTY OF FORMS + SURFACES. ANY REPRODUCTION IN PART OR AS A WHOLE WITHOUT WRITTEN PERMISSION IS PROHIBITED.		SIZE: B	DWG. NO.: SLTNO-136S-HAT-CS	REV: 0	SHEET: 1 OF 1

8 7 6 5 4 3 2 1

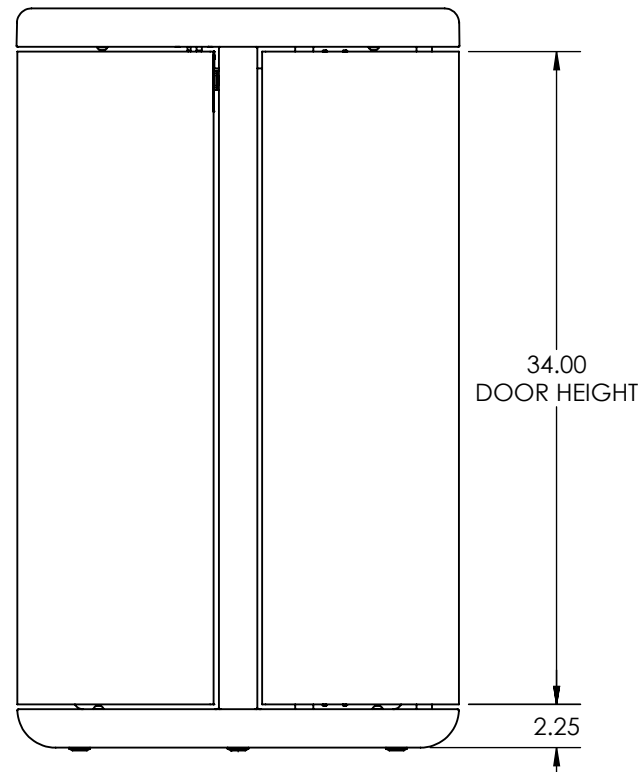
8 7 6 5 4 3 2 1



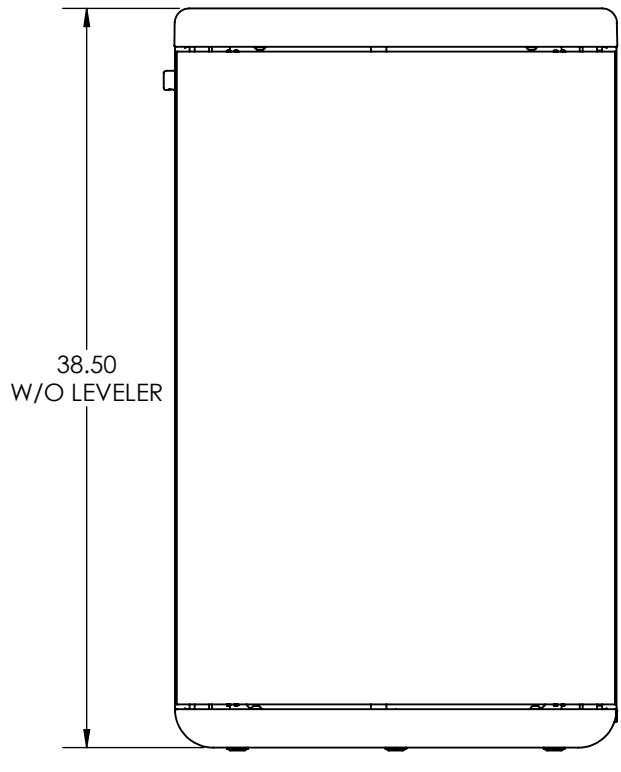
TOP VIEW



ISO VIEW



FRONT VIEW



SIDE VIEW

D
C
B
A

D
C
B
A

CUSTOMER APPROVAL:

X _____

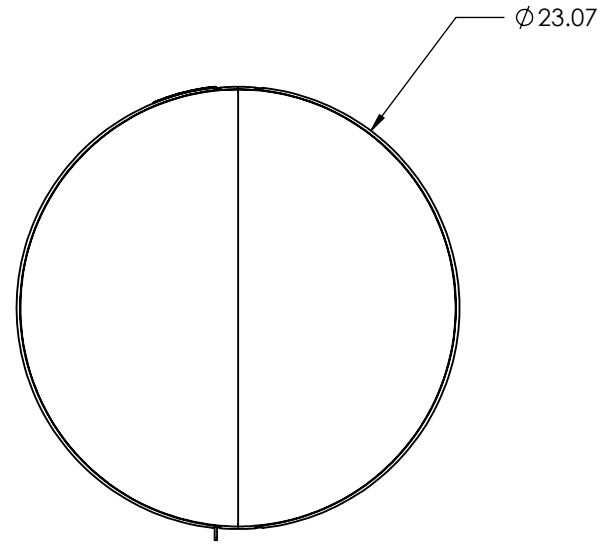
DATE:

X _____

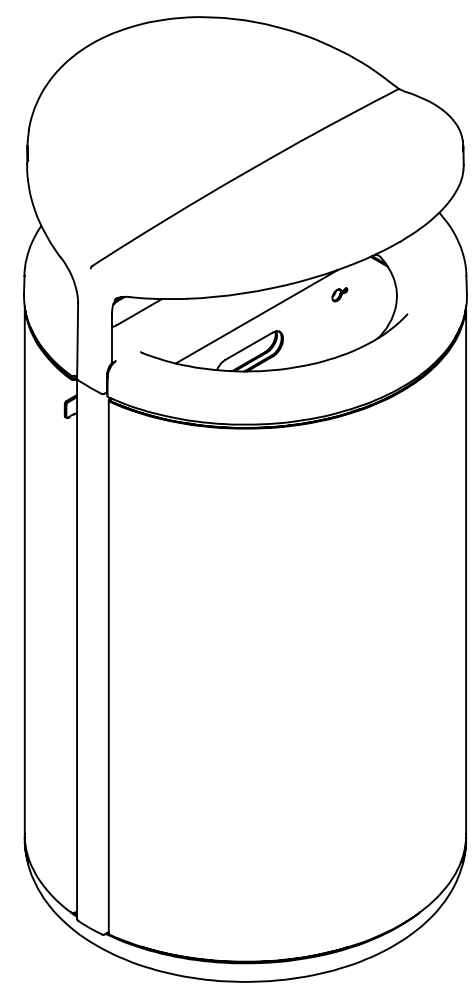
UNLESS OTHERWISE SPECIFIED: 1. PRIMARY DIM. ARE IN INCHES & SECONDARY [DIM] IN MM 2. TOLERANCES FRACTIONAL: ±1/32; ANGULAR/BEND: ±1° TWO PLACE DECIMAL ±.030 THREE PLACE DECIMAL ±.020 3. REMOVE ALL BURRS AND SHARP EDGES				30 Pine Street, Pittsburgh, PA 15223 Tel (412) 781-9003 Fax (412) 385-4715	
THIRD ANGLE PROJECTION		NAME	DATE	DESCRIPTION:	
MATERIAL: SEE DATA SHEET		DWN	ABM	11-25-2020	SLTNO-218S, NO HAT, SST, SOL, FRS
FINISH: - SEE DATA SHEET		CHK	MGJ	11-25-2020	
WEIGHT: - SEE DATA SHEET		DO NOT SCALE DRAWING			
SCALE: NOT TO SCALE		PROPRIETARY AND CONFIDENTIAL THE INFORMATION CONTAINED IN THIS DRAWING IS THE SOLE PROPERTY OF FORMS + SURFACES. ANY REPRODUCTION IN PART OR AS A WHOLE WITHOUT WRITTEN PERMISSION IS PROHIBITED.			SIZE B DWG. NO. SLTNO-218S-NO HAT-CS REV 0 SHEET 1 OF 1

8 7 6 5 4 3 2 1

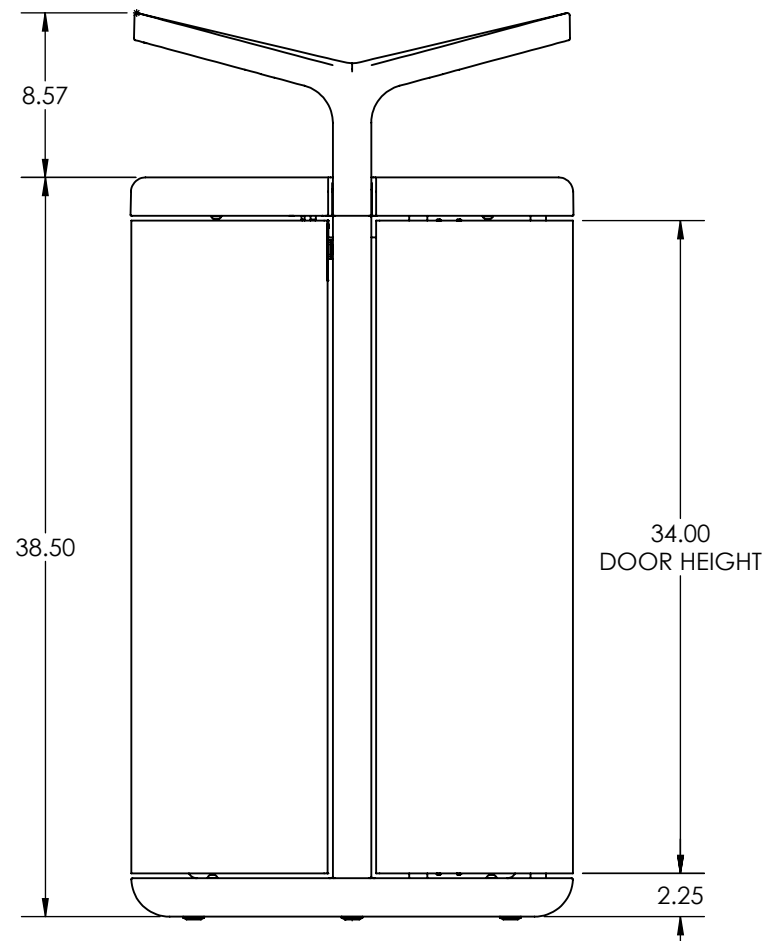
8 7 6 5 4 3 2 1



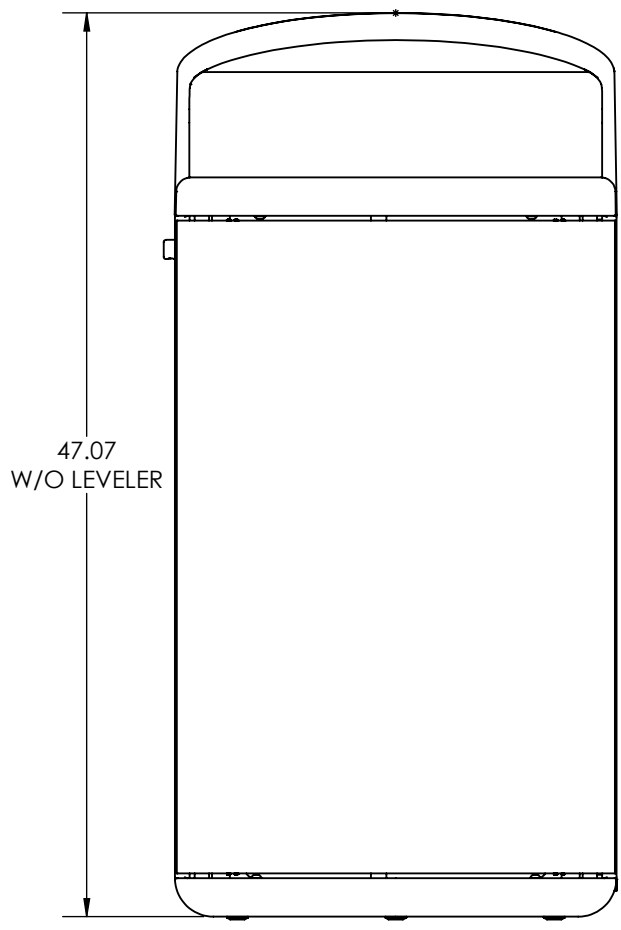
TOP VIEW



ISO VIEW



FRONT VIEW



SIDE VIEW

CUSTOMER APPROVAL:

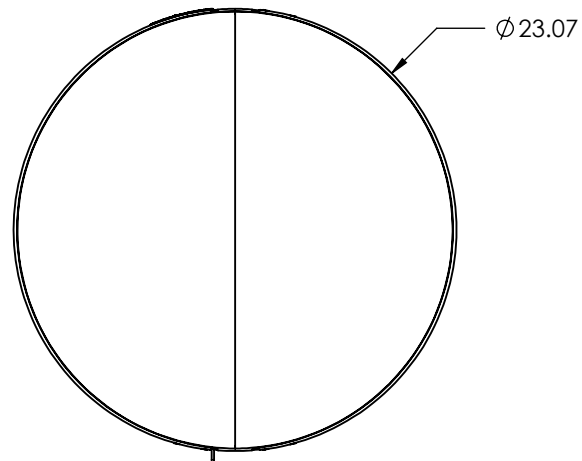
X _____

DATE:

X _____

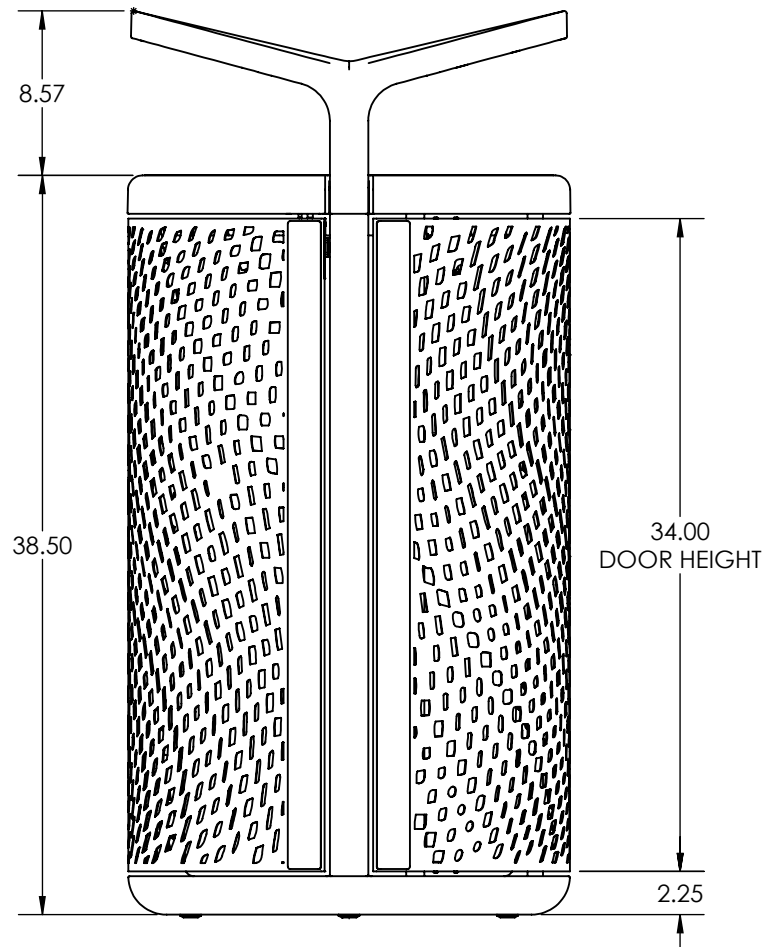
UNLESS OTHERWISE SPECIFIED: 1. PRIMARY DIM. ARE IN INCHES & SECONDARY [DIM] IN MM 2. TOLERANCES FRACTIONAL: $\pm 1/32$; ANGULAR/BEND: $\pm 1^\circ$ TWO PLACE DECIMAL $\pm .030$ THREE PLACE DECIMAL $\pm .020$ 3. REMOVE ALL BURRS AND SHARP EDGES				30 Pine Street, Pittsburgh, PA 15223 Tel (412) 781-9003 Fax (412) 385-4715	
MATERIAL: SEE DATA SHEET FINISH: - SEE DATA SHEET WEIGHT: - SEE DATA SHEET SCALE: NOT TO SCALE		NAME DWN ABM CHK MGJ		DATE 11-25-2020 11-25-2020	
THIRD ANGLE PROJECTION		DO NOT SCALE DRAWING		DESCRIPTION: SLTNO-218S,HAT,SST,SOL,FRS	
PROPRIETARY AND CONFIDENTIAL THE INFORMATION CONTAINED IN THIS DRAWING IS THE SOLE PROPERTY OF FORMS + SURFACES. ANY REPRODUCTION IN PART OR AS A WHOLE WITHOUT WRITTEN PERMISSION IS PROHIBITED.		SIZE B	DWG. NO. SLTNO-218S-HAT-CS	REV 0	SHEET 1 OF 1

8 7 6 5 4 3 2 1

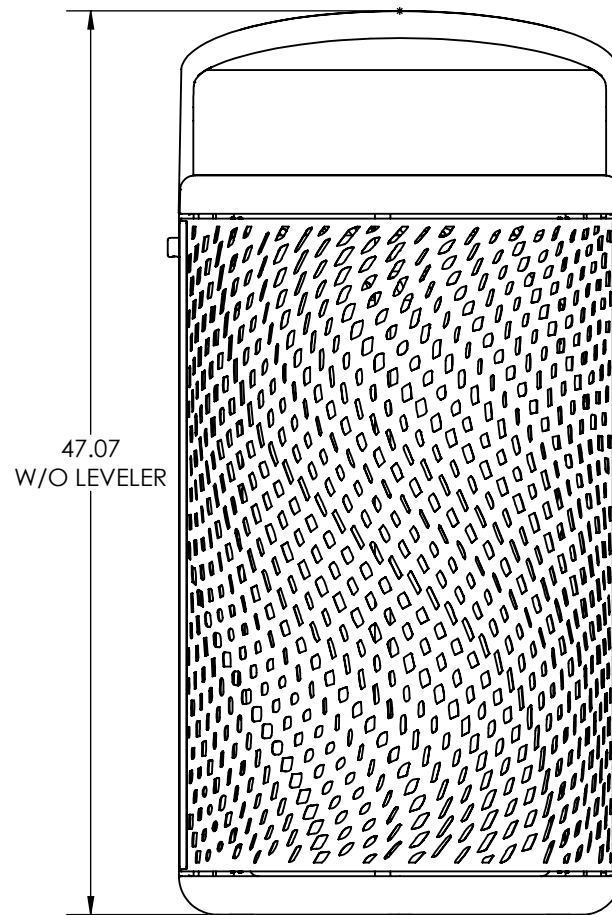


Ø 23.07

TOP VIEW



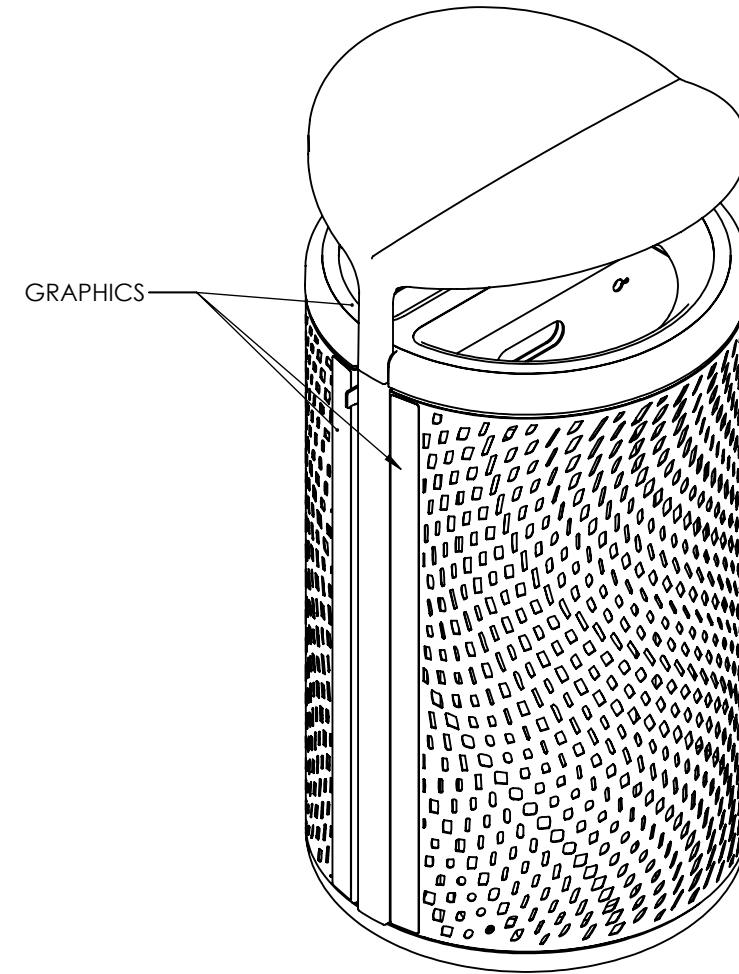
FRONT VIEW



SIDE VIEW

47.07
W/O LEVELER

34.00
DOOR HEIGHT



ISO VIEW

GRAPHICS

CUSTOMER APPROVAL:

X _____

DATE:

X _____

UNLESS OTHERWISE SPECIFIED:

1. PRIMARY DIM. ARE IN INCHES & SECONDARY [DIM] IN MM

2. TOLERANCES

FRACTIONAL: ±1/32; ANGULAR/BEND: ±1°

TWO PLACE DECIMAL ±.030

THREE PLACE DECIMAL ±.020

3. REMOVE ALL BURRS AND SHARP EDGES

THIRD ANGLE PROJECTION

MATERIAL: SEE DATA SHEET

FINISH: - SEE DATA SHEET

WEIGHT: - SEE DATA SHEET

SCALE: NOT TO SCALE



30 Pine Street, Pittsburgh, PA 15223
Tel (412) 781-9003 Fax (412) 385-4715

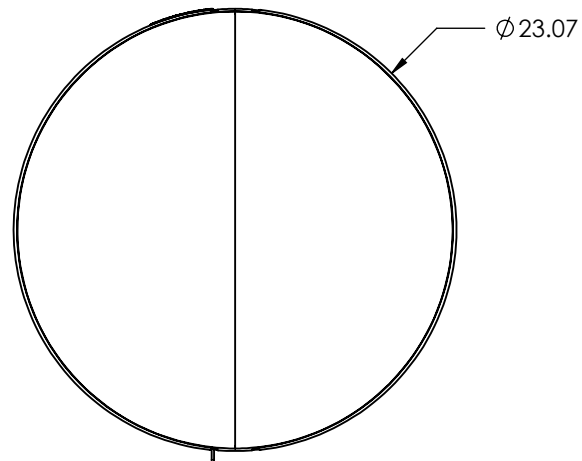
NAME	DATE
DWN LJK	10/26/2021
CHK MGJ	10/26/2021

DO NOT SCALE DRAWING

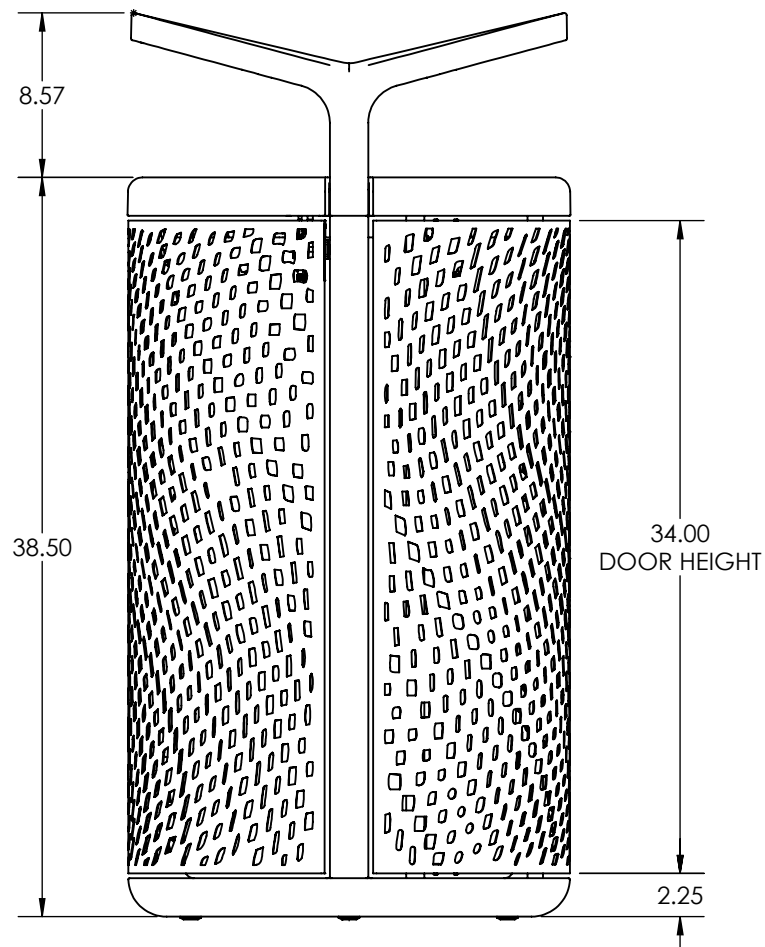
PROPRIETARY AND CONFIDENTIAL

THE INFORMATION CONTAINED IN THIS DRAWING IS THE SOLE PROPERTY OF FORMS + SURFACES. ANY REPRODUCTION IN PART OR AS A WHOLE WITHOUT WRITTEN PERMISSION IS PROHIBITED.

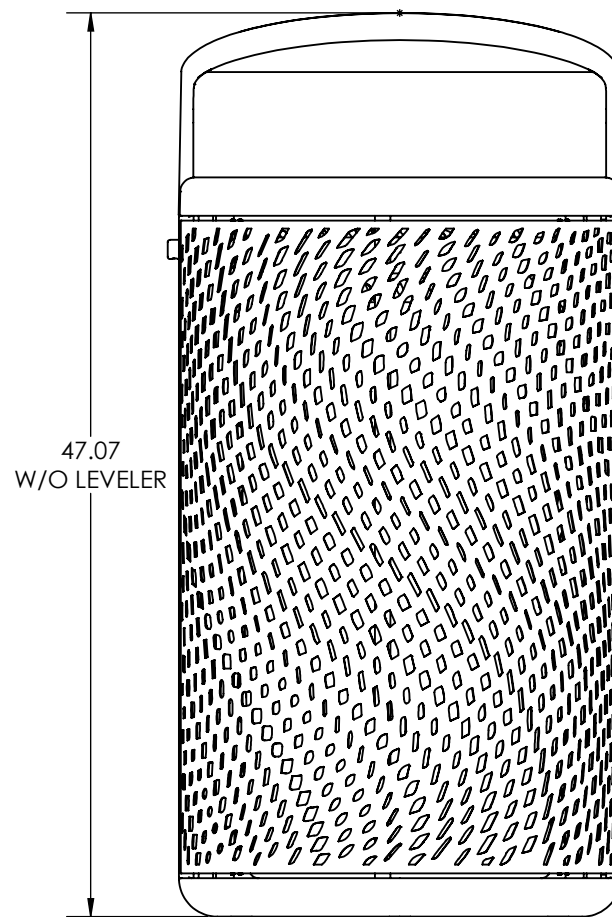
DESCRIPTION:			
TONYO RECEPTACLE, WARP PERFORATION			
SLTNO-218S,HAT,SST,WARP,GRPH,FRS			
SIZE	DWG. NO.	REV	SHEET
B	SLTNO-218S-HAT-WARP-GRPH-CS	0	1 OF 1



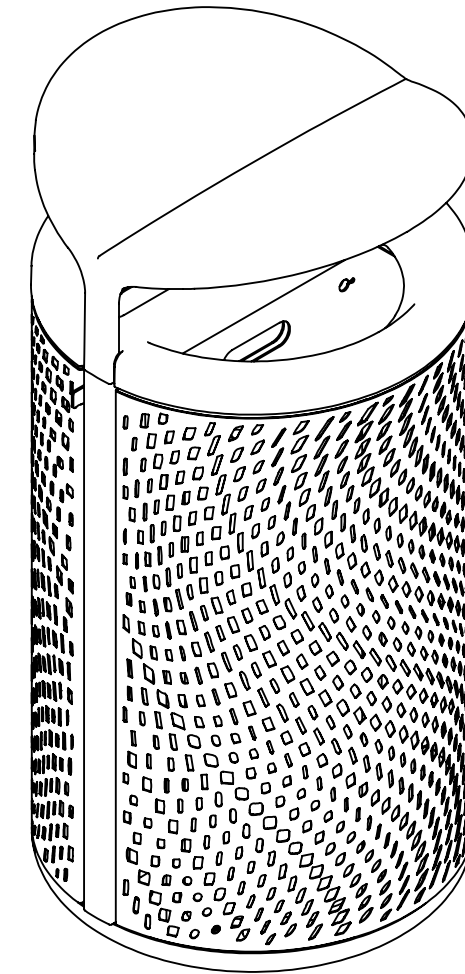
TOP VIEW



FRONT VIEW



SIDE VIEW



ISO VIEW

CUSTOMER APPROVAL:

X _____

DATE:

X _____

UNLESS OTHERWISE SPECIFIED:

1. PRIMARY DIM. ARE IN INCHES & SECONDARY [DIM] IN MM

2. TOLERANCES

FRACTIONAL: ±1/32; ANGULAR/BEND: ±1°

TWO PLACE DECIMAL ±.030

THREE PLACE DECIMAL ±.020

3. REMOVE ALL BURRS AND SHARP EDGES

THIRD ANGLE PROJECTION

MATERIAL: SEE DATA SHEET

FINISH: - SEE DATA SHEET

WEIGHT: - SEE DATA SHEET

SCALE: NOT TO SCALE



30 Pine Street, Pittsburgh, PA 15223
Tel (412) 781-9003 Fax (412) 385-4715

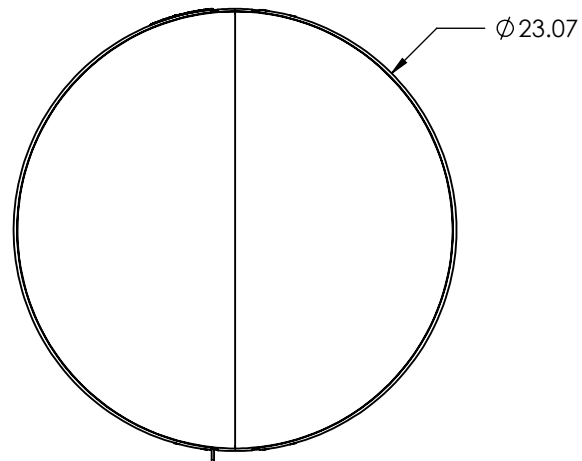
NAME	DATE
DWN LJK	10/26/2021
CHK MGJ	10/26/2021

DO NOT SCALE DRAWING

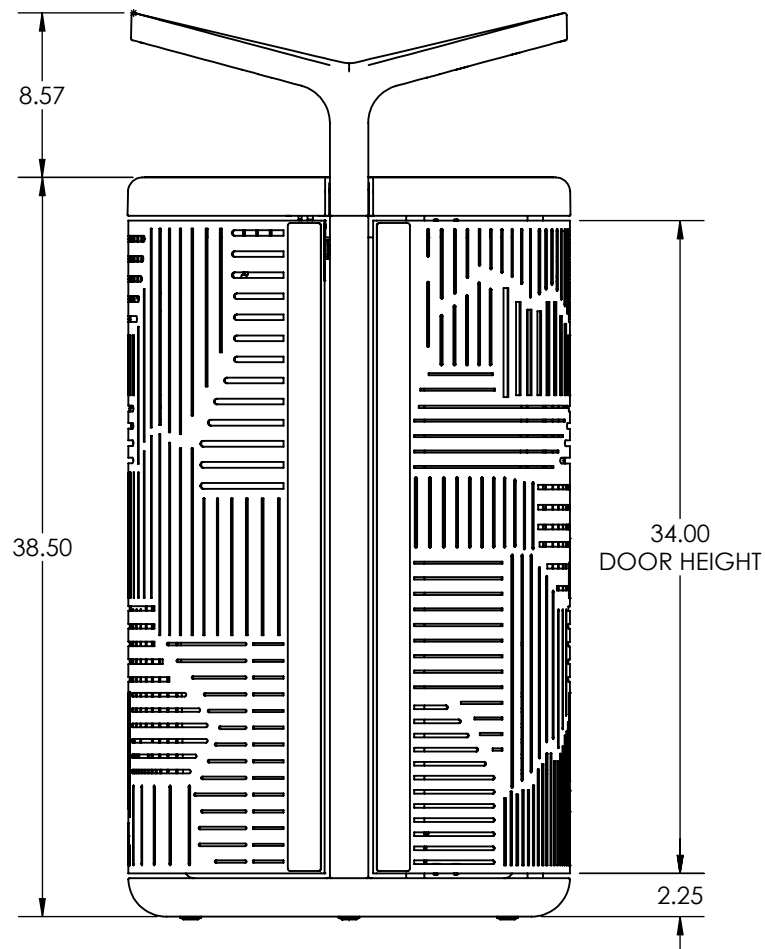
PROPRIETARY AND CONFIDENTIAL

THE INFORMATION CONTAINED IN THIS DRAWING IS THE SOLE PROPERTY OF FORMS + SURFACES. ANY REPRODUCTION IN PART OR AS A WHOLE WITHOUT WRITTEN PERMISSION IS PROHIBITED.

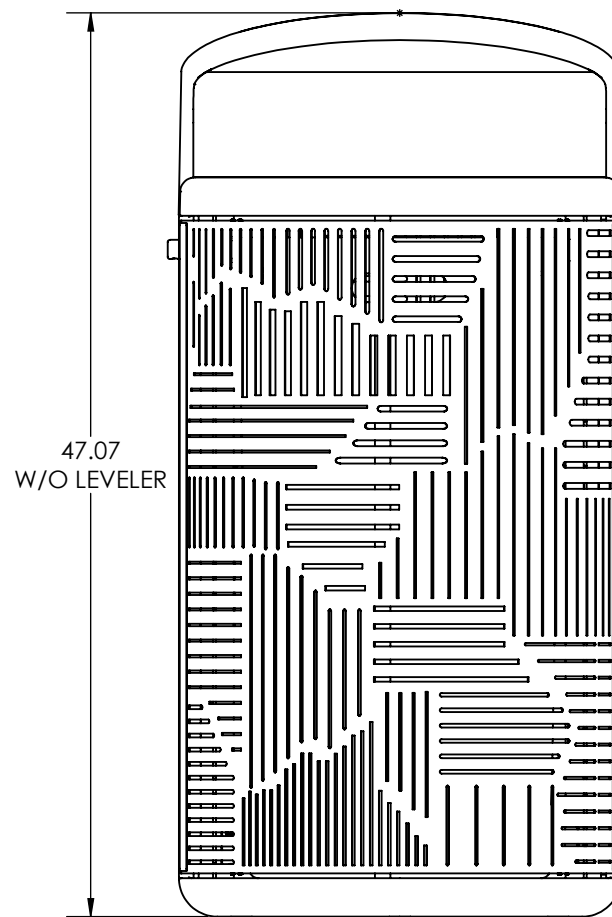
DESCRIPTION:			
TONYO RECEPTACLE, WARP PERFORATION			
SLTNO-218S,HAT,SST,WARP,FRS			
SIZE	DWG. NO.	REV	SHEET
B	SLTNO-218S-HAT-WARP-CS	0	1 OF 1



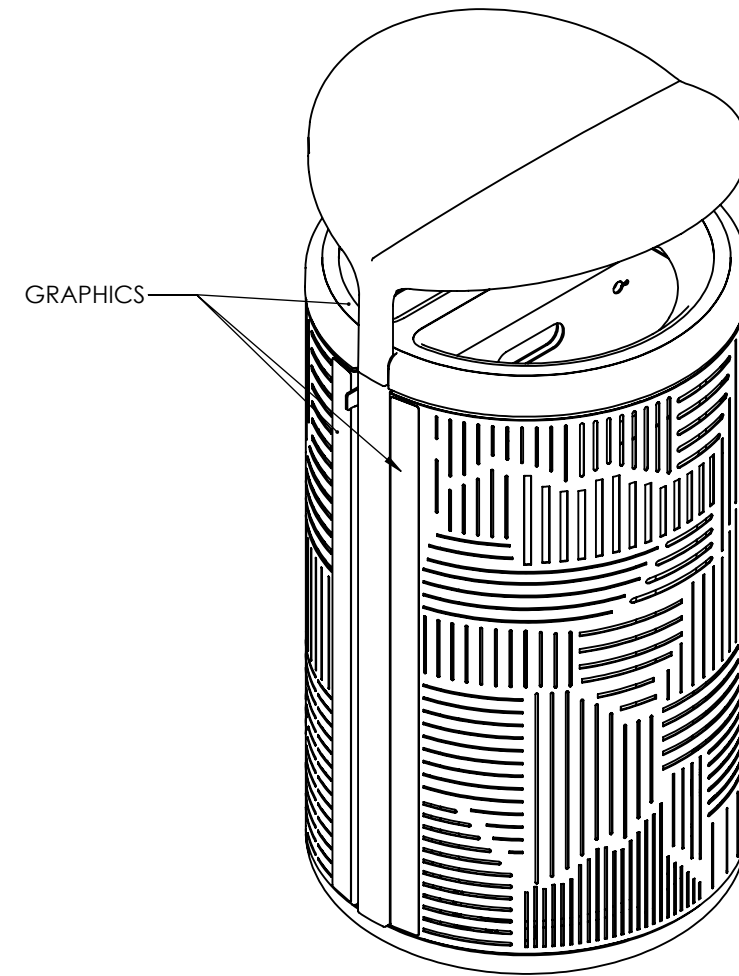
TOP VIEW



FRONT VIEW



SIDE VIEW



ISO VIEW

CUSTOMER APPROVAL:

X _____

DATE:

X _____

UNLESS OTHERWISE SPECIFIED:

1. PRIMARY DIM. ARE IN INCHES & SECONDARY [DIM] IN MM

2. TOLERANCES

FRACTIONAL: ±1/32; ANGULAR/BEND: ±1°

TWO PLACE DECIMAL ±.030

THREE PLACE DECIMAL ±.020

3. REMOVE ALL BURRS AND SHARP EDGES

THIRD ANGLE PROJECTION

MATERIAL: SEE DATA SHEET

FINISH: - SEE DATA SHEET

WEIGHT: - SEE DATA SHEET

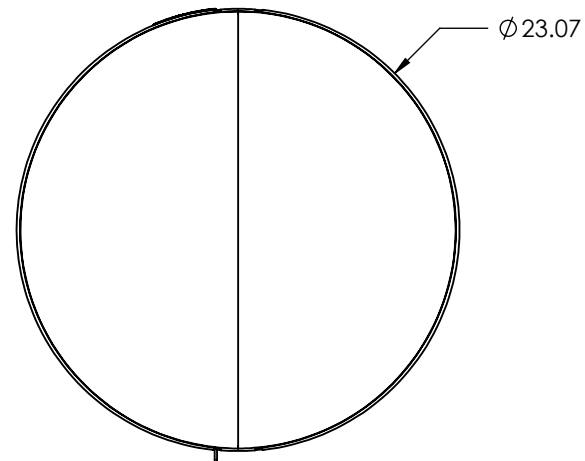
SCALE: NOT TO SCALE



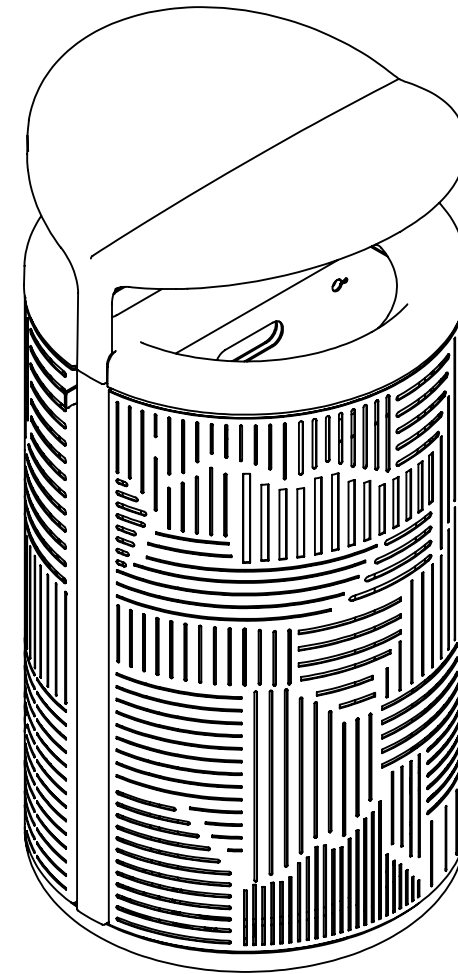
30 Pine Street, Pittsburgh, PA 15223
Tel (412) 781-9003 Fax (412) 385-4715

NAME		DATE	DESCRIPTION:	
DWN	LJK	10/26/2021	TONYO RECEPTACLE, TERRA PERFORATION SLTNO-218S,HAT,SST,TERRA,GRPH,FRS	
CHK	MGJ	10/26/2021		
DO NOT SCALE DRAWING			SIZE	DWG. NO.
PROPRIETARY AND CONFIDENTIAL			B	SLTNO-218S-HAT-TERRA-GRPH-CS
THE INFORMATION CONTAINED IN THIS DRAWING IS THE SOLE PROPERTY OF FORMS + SURFACES. ANY REPRODUCTION IN PART OR AS A WHOLE WITHOUT WRITTEN PERMISSION IS PROHIBITED.			REV	SHEET
			0	1 OF 1

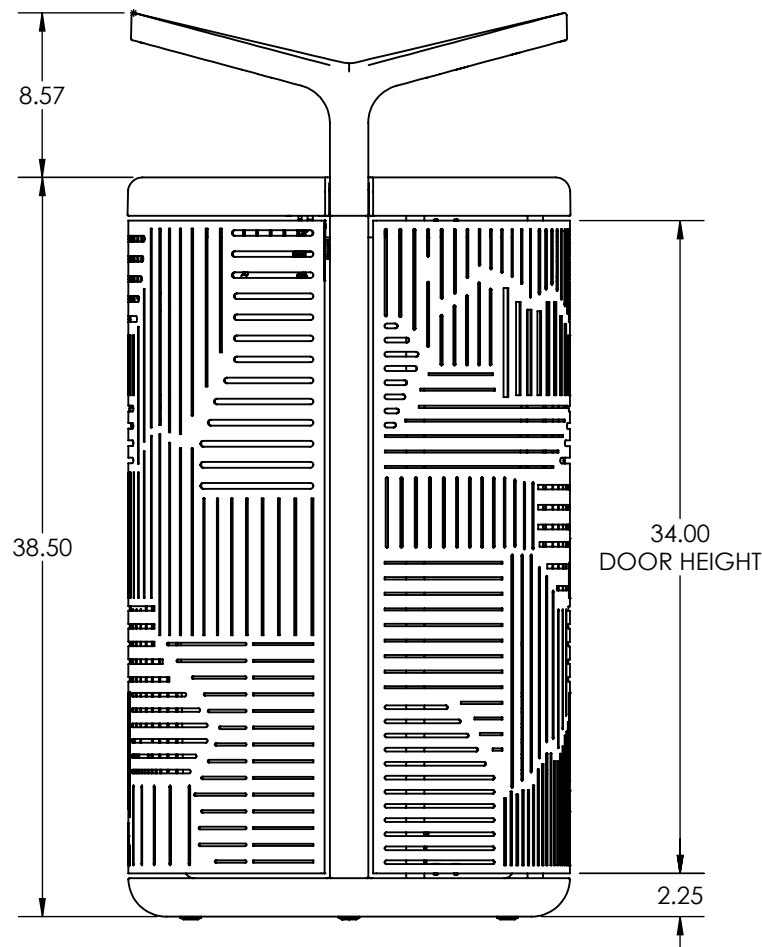
8 7 6 5 4 3 2 1



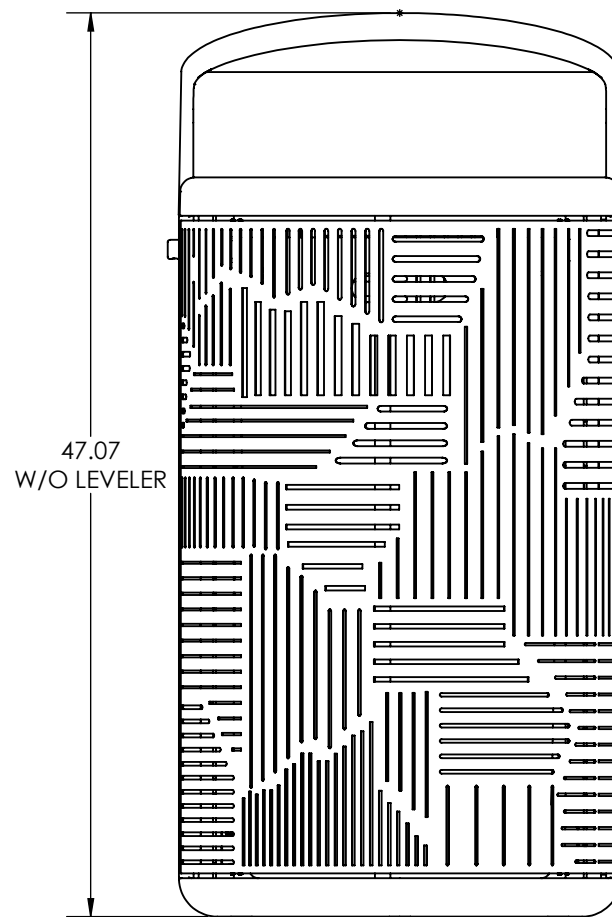
TOP VIEW



ISO VIEW



FRONT VIEW



SIDE VIEW

CUSTOMER APPROVAL:

X _____

DATE:

X _____

UNLESS OTHERWISE SPECIFIED:

- 1. PRIMARY DIM. ARE IN INCHES & SECONDARY [DIM] IN MM
- 2. TOLERANCES
 FRACTIONAL: ±1/32; ANGULAR/BEND: ±1°
 TWO PLACE DECIMAL ±.030
 THREE PLACE DECIMAL ±.020
- 3. REMOVE ALL BURRS AND SHARP EDGES



MATERIAL: SEE DATA SHEET

FINISH: - SEE DATA SHEET

WEIGHT: - SEE DATA SHEET

SCALE: NOT TO SCALE



30 Pine Street, Pittsburgh, PA 15223
Tel (412) 781-9003 Fax (412) 385-4715

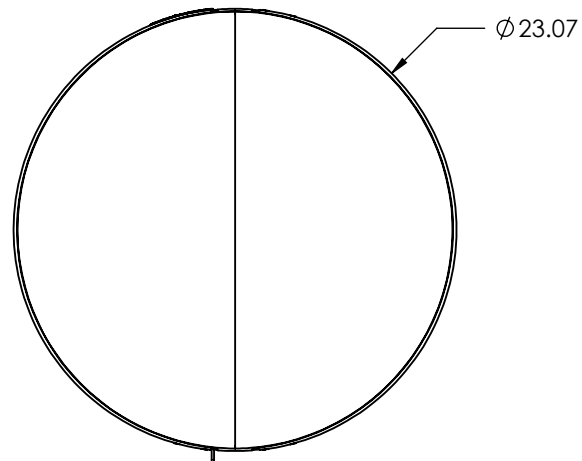
NAME	DATE
DWN LJK	10/26/2021
CHK MGJ	10/26/2021

DO NOT SCALE DRAWING

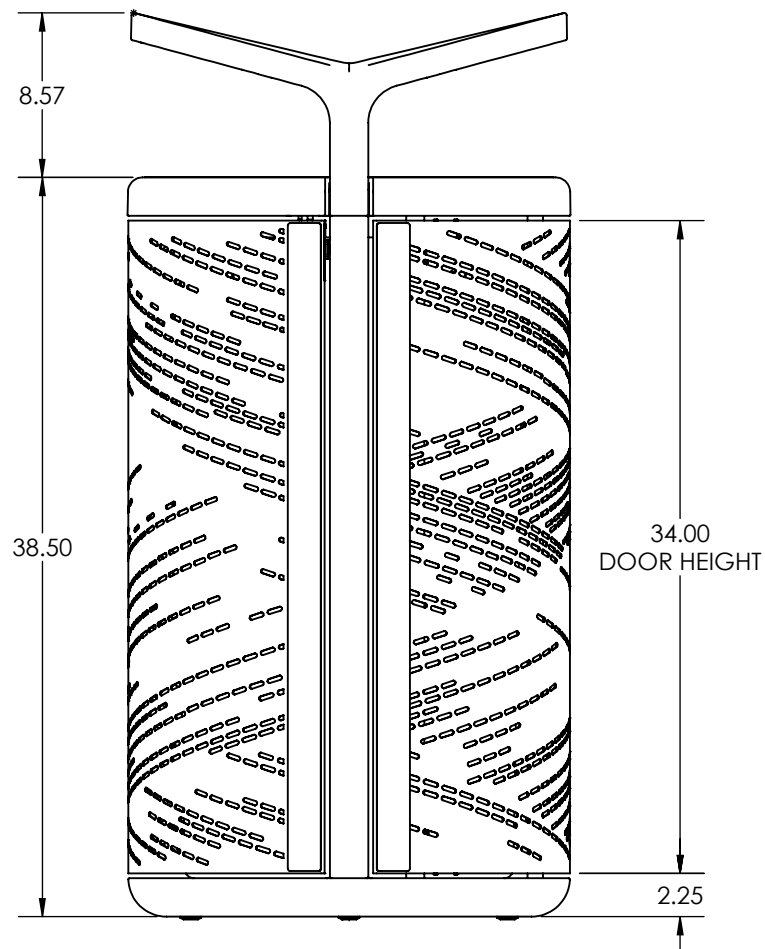
PROPRIETARY AND CONFIDENTIAL
 THE INFORMATION CONTAINED IN THIS DRAWING IS THE SOLE PROPERTY OF FORMS + SURFACES. ANY REPRODUCTION IN PART OR AS A WHOLE WITHOUT WRITTEN PERMISSION IS PROHIBITED.

DESCRIPTION:			
TONYO RECEPTACLE, TERRA PERFORATION			
SLTNO-218S,HAT,SST,TERRA,FRS			
SIZE	DWG. NO.	REV	SHEET
B	SLTNO-218S-HAT-TERRA-CS	0	1 OF 1

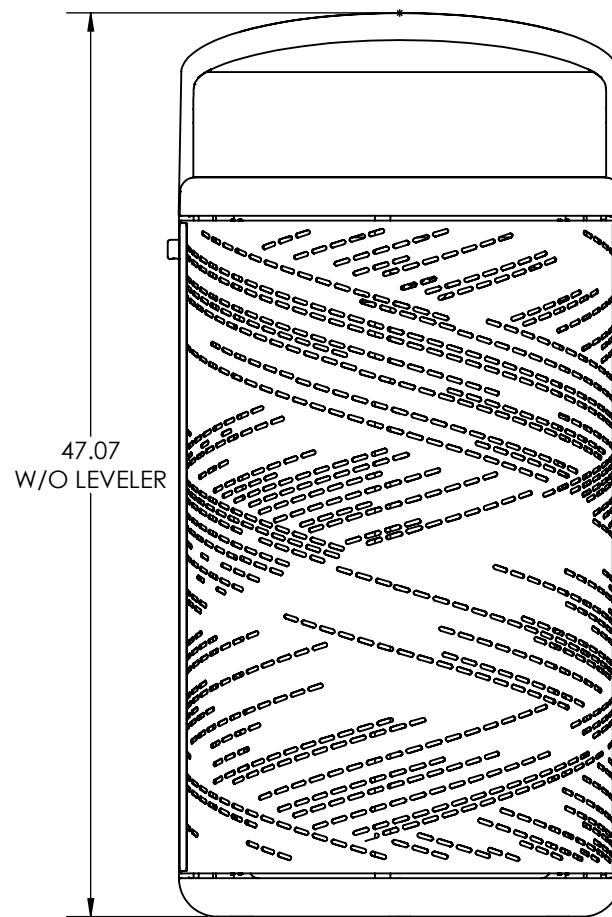
8 7 6 5 4 3 2 1



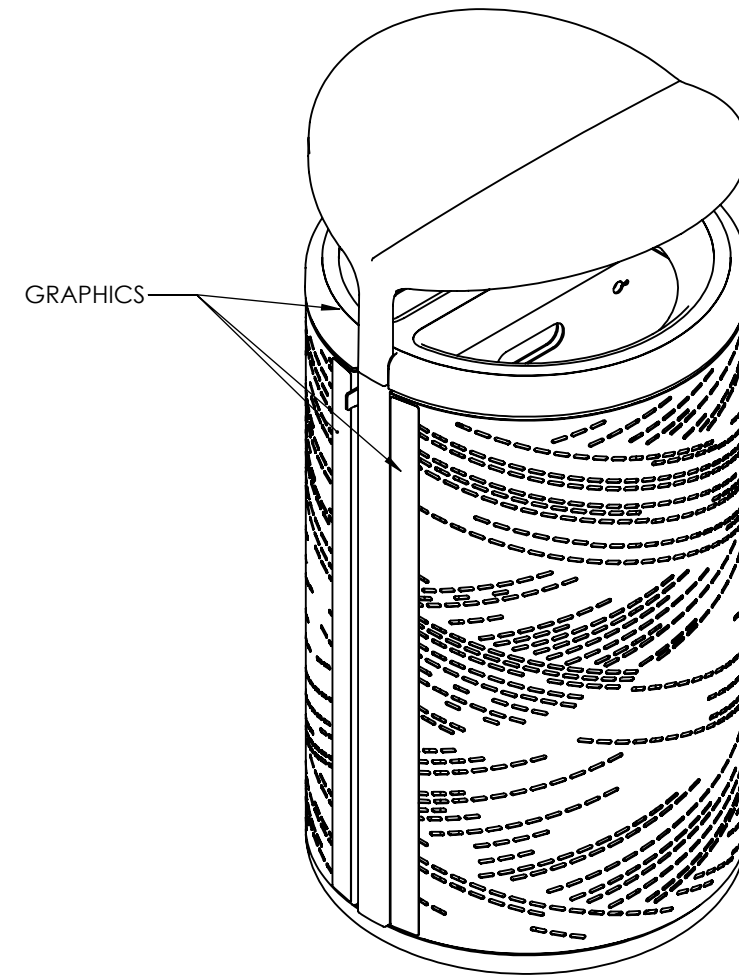
TOP VIEW



FRONT VIEW



SIDE VIEW



ISO VIEW

CUSTOMER APPROVAL:

X _____

DATE:

X _____

UNLESS OTHERWISE SPECIFIED:

1. PRIMARY DIM. ARE IN INCHES & SECONDARY [DIM] IN MM

2. TOLERANCES

FRACTIONAL: ±1/32; ANGULAR/BEND: ±1°

TWO PLACE DECIMAL ±.030

THREE PLACE DECIMAL ±.020

3. REMOVE ALL BURRS AND SHARP EDGES

THIRD ANGLE PROJECTION

MATERIAL: SEE DATA SHEET

FINISH: - SEE DATA SHEET

WEIGHT: - SEE DATA SHEET

SCALE: NOT TO SCALE



30 Pine Street, Pittsburgh, PA 15223
Tel (412) 781-9003 Fax (412) 385-4715

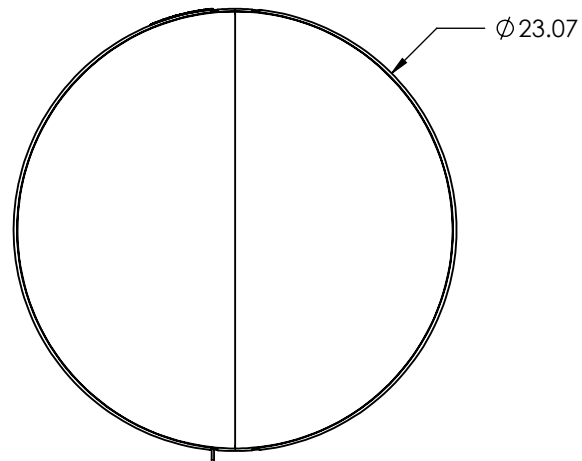
NAME	DATE
DWN LJK	10/26/2021
CHK MGJ	10/26/2021

DO NOT SCALE DRAWING

PROPRIETARY AND CONFIDENTIAL

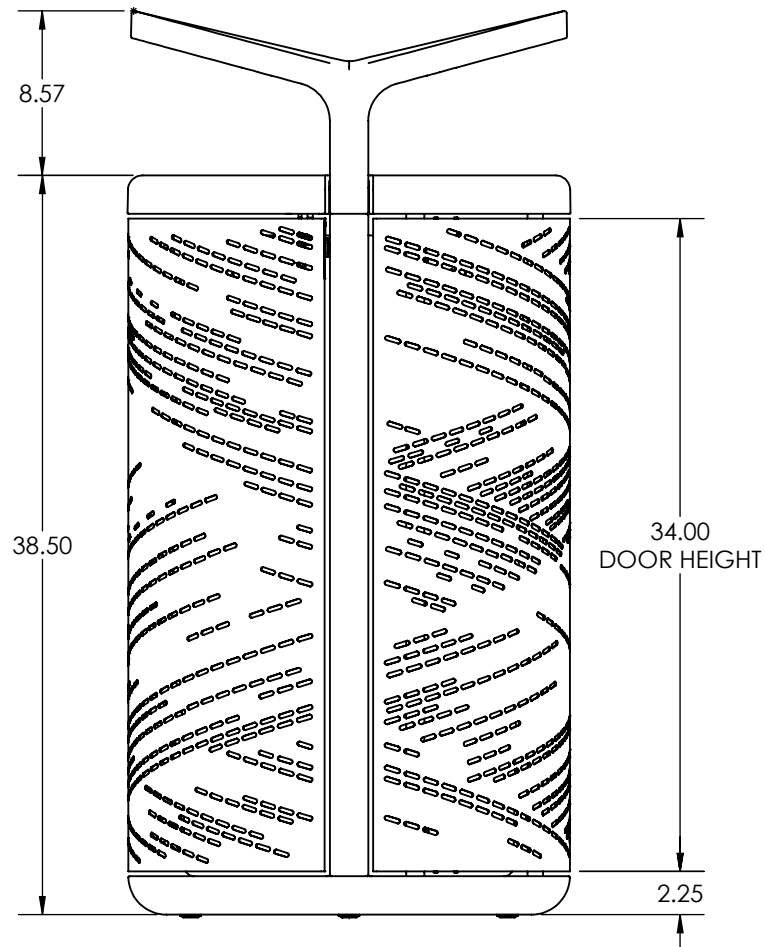
THE INFORMATION CONTAINED IN THIS DRAWING IS THE SOLE PROPERTY OF FORMS + SURFACES. ANY REPRODUCTION IN PART OR AS A WHOLE WITHOUT WRITTEN PERMISSION IS PROHIBITED.

DESCRIPTION:			
TONYO RECEPTACLE, PLAIT PERFORATION			
SLTNO-218S,HAT,SST,PLAIT,GRPH,FRS			
SIZE	DWG. NO.	REV	SHEET
B	SLTNO-218S-HAT-PLAIT-GRPH-CS	0	1 OF 1

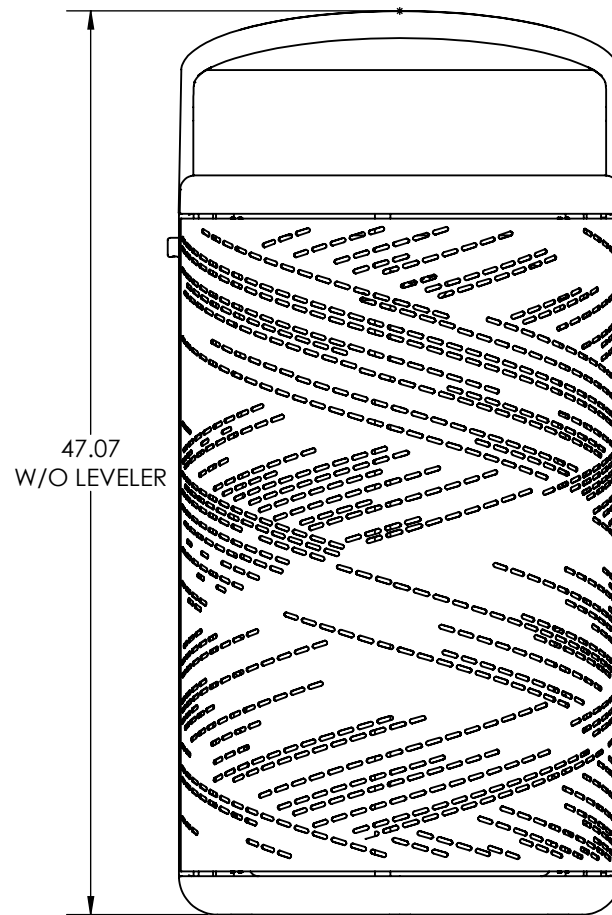


TOP VIEW

Ø 23.07



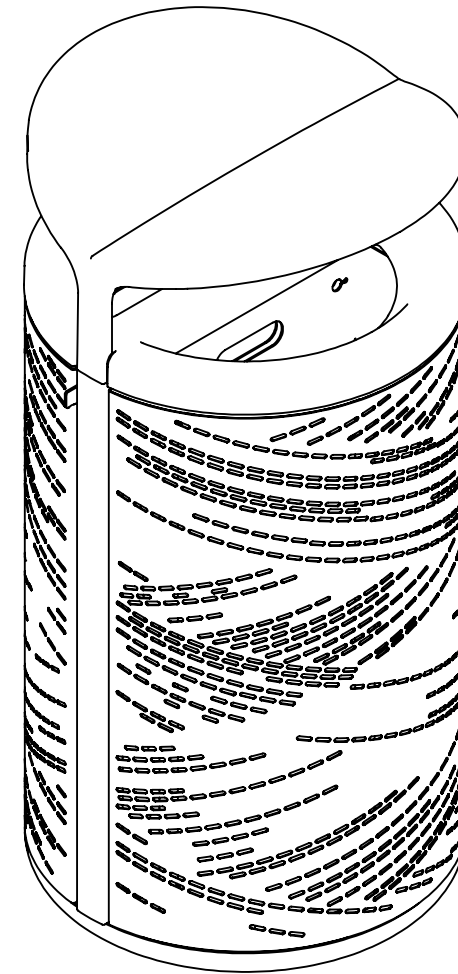
FRONT VIEW



SIDE VIEW

47.07
W/O LEVELER

34.00
DOOR HEIGHT



ISO VIEW

CUSTOMER APPROVAL:

X _____

DATE:

X _____

UNLESS OTHERWISE SPECIFIED:

- 1. PRIMARY DIM. ARE IN INCHES & SECONDARY [DIM] IN MM
- 2. TOLERANCES
 FRACTIONAL: ±1/32; ANGULAR/BEND: ±1°
 TWO PLACE DECIMAL ±.030
 THREE PLACE DECIMAL ±.020
- 3. REMOVE ALL BURRS AND SHARP EDGES



THIRD ANGLE PROJECTION

MATERIAL: SEE DATA SHEET

FINISH: - SEE DATA SHEET

WEIGHT: - SEE DATA SHEET

SCALE: NOT TO SCALE



30 Pine Street, Pittsburgh, PA 15223
Tel (412) 781-9003 Fax (412) 385-4715

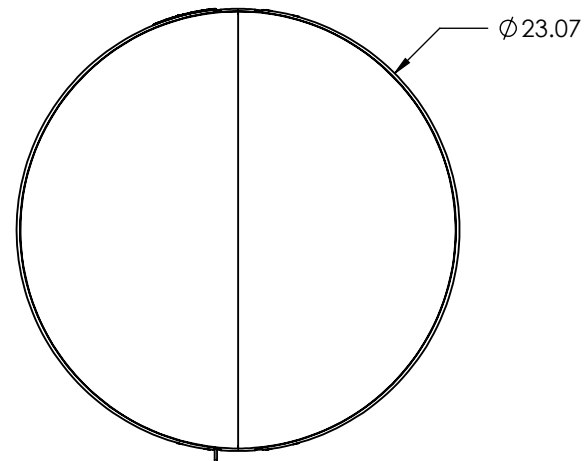
NAME	DATE
DWN LJK	10/26/2021
CHK MGJ	10/26/2021

DO NOT SCALE DRAWING

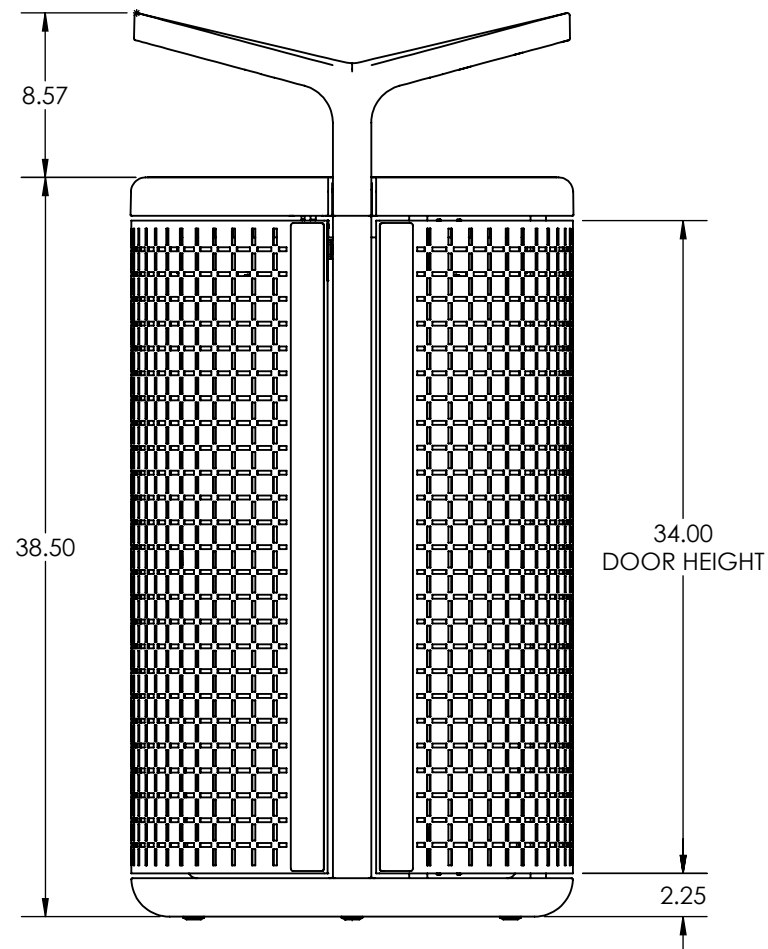
PROPRIETARY AND CONFIDENTIAL
 THE INFORMATION CONTAINED IN THIS DRAWING IS THE SOLE PROPERTY OF FORMS + SURFACES. ANY REPRODUCTION IN PART OR AS A WHOLE WITHOUT WRITTEN PERMISSION IS PROHIBITED.

DESCRIPTION:			
TONYO RECEPTACLE, PLAIT PERFORATION			
SLTNO-218S,HAT,SST,PLAIT,FRS			
SIZE	DWG. NO.	REV	SHEET
B	SLTNO-218S-HAT-PLAIT-CS	0	1 OF 1

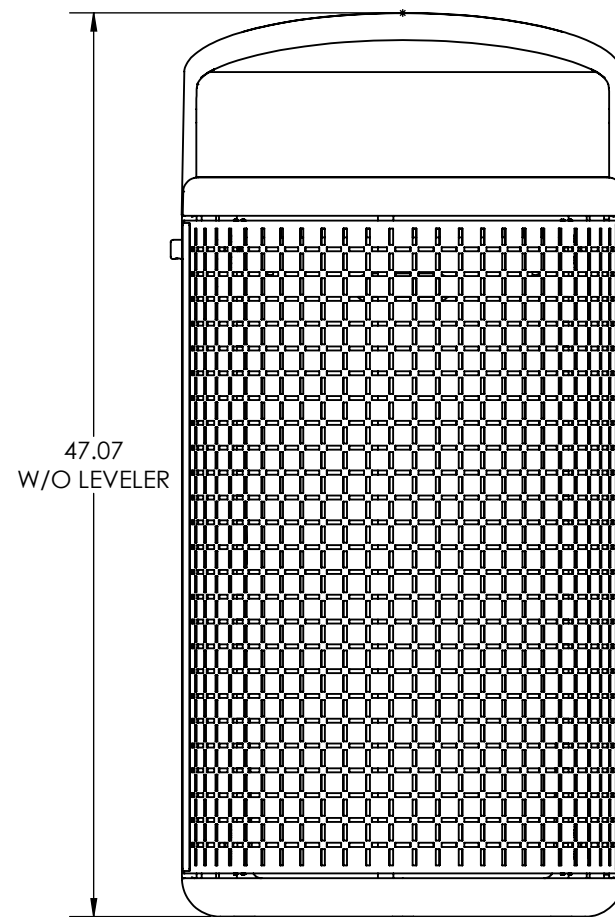
8 7 6 5 4 3 2 1



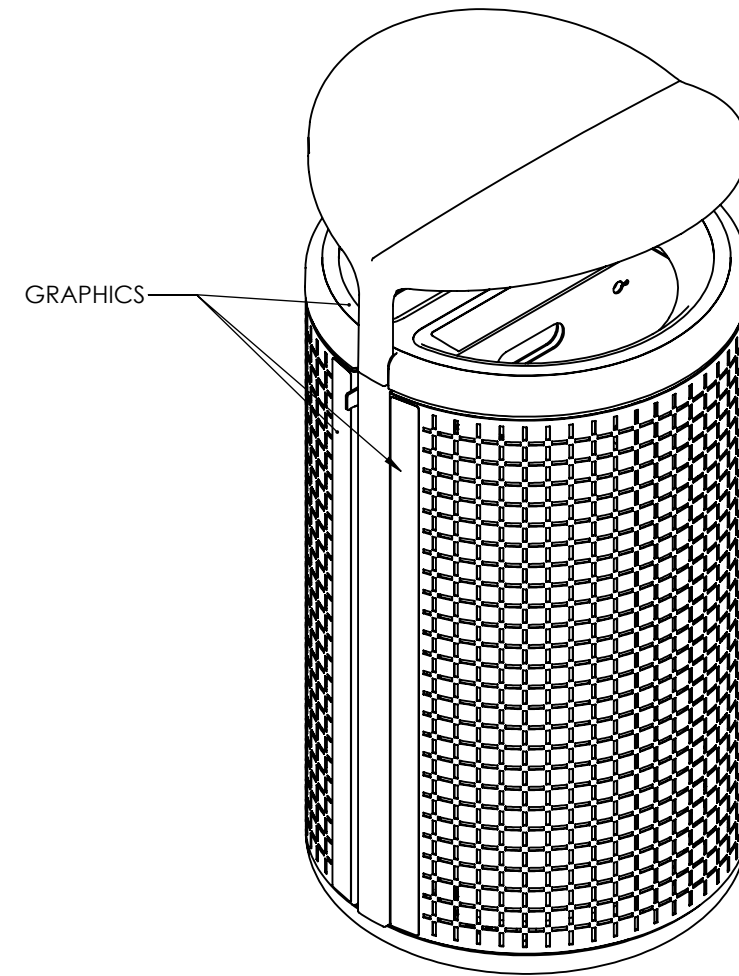
TOP VIEW



FRONT VIEW



SIDE VIEW



ISO VIEW

CUSTOMER APPROVAL:

X _____

DATE:

X _____

UNLESS OTHERWISE SPECIFIED:

1. PRIMARY DIM. ARE IN INCHES & SECONDARY [DIM] IN MM

2. TOLERANCES

FRACTIONAL: ±1/32; ANGULAR/BEND: ±1°

TWO PLACE DECIMAL ±.030

THREE PLACE DECIMAL ±.020

3. REMOVE ALL BURRS AND SHARP EDGES

THIRD ANGLE PROJECTION

MATERIAL: SEE DATA SHEET

FINISH: - SEE DATA SHEET

WEIGHT: - SEE DATA SHEET

SCALE: NOT TO SCALE



30 Pine Street, Pittsburgh, PA 15223
Tel (412) 781-9003 Fax (412) 385-4715

NAME	DATE
DWN LJK	10/26/2021
CHK MGJ	10/26/2021

DO NOT SCALE DRAWING

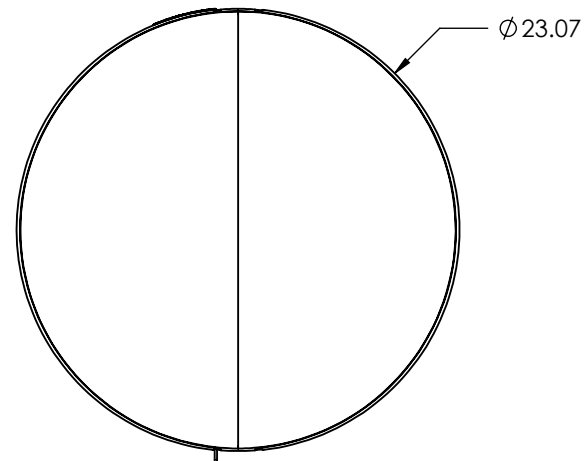
PROPRIETARY AND CONFIDENTIAL

THE INFORMATION CONTAINED IN THIS DRAWING IS THE SOLE PROPERTY OF FORMS + SURFACES. ANY REPRODUCTION IN PART OR AS A WHOLE WITHOUT WRITTEN PERMISSION IS PROHIBITED.

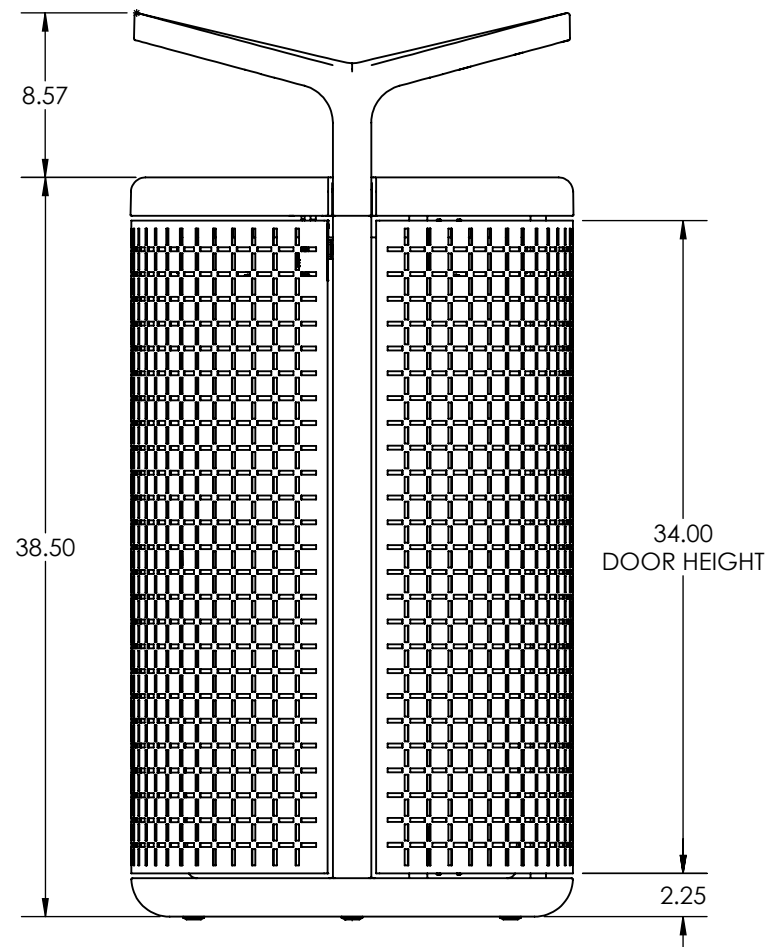
DESCRIPTION:			
TONYO RECEPTACLE, NOTCH PERFORATION			
SLTNO-218S,HAT,SST,NOTCH,GRPH,FRS			
SIZE	DWG. NO.	REV	SHEET
B	SLTNO-218S-HAT-NOTCH-GRPH-CS	0	1 OF 1

8 7 6 5 4 3 2 1

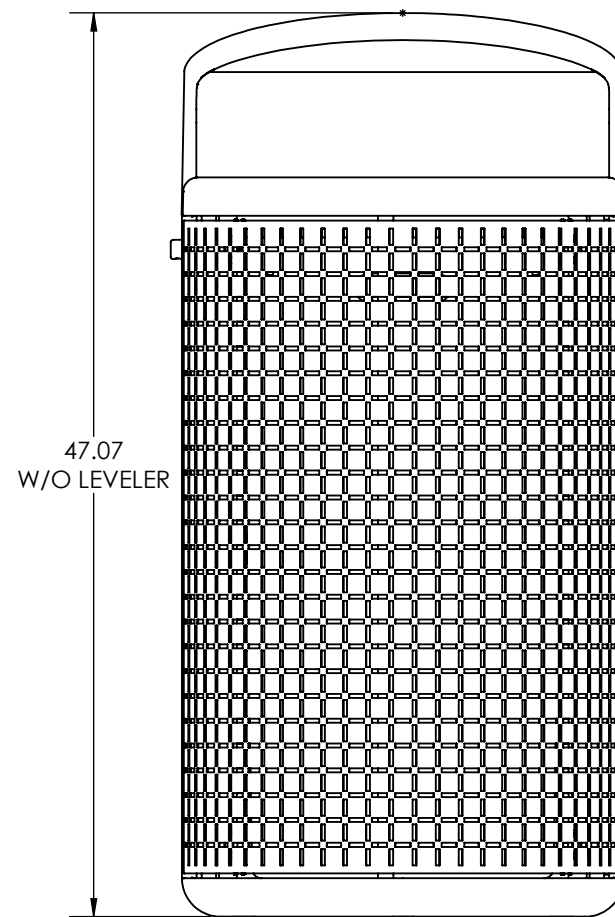
8 7 6 5 4 3 2 1



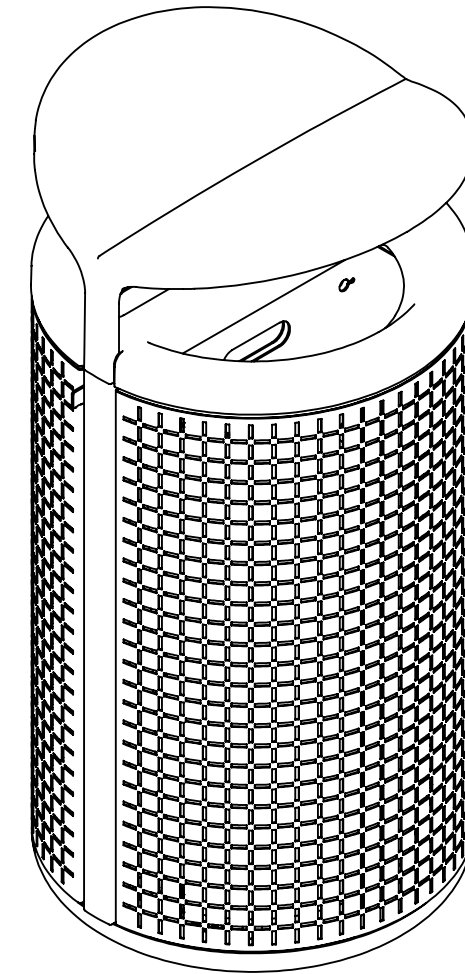
TOP VIEW



FRONT VIEW



SIDE VIEW



ISO VIEW

CUSTOMER APPROVAL:

X _____

DATE:

X _____

UNLESS OTHERWISE SPECIFIED:

1. PRIMARY DIM. ARE IN INCHES & SECONDARY [DIM] IN MM

2. TOLERANCES

FRACTIONAL: ±1/32; ANGULAR/BEND: ±1°

TWO PLACE DECIMAL ±.030

THREE PLACE DECIMAL ±.020

3. REMOVE ALL BURRS AND SHARP EDGES

THIRD ANGLE PROJECTION

MATERIAL: SEE DATA SHEET

FINISH: - SEE DATA SHEET

WEIGHT: - SEE DATA SHEET

SCALE: NOT TO SCALE



30 Pine Street, Pittsburgh, PA 15223
Tel (412) 781-9003 Fax (412) 385-4715

NAME	DATE
DWN LJK	10/26/2021
CHK MGJ	10/26/2021

DESCRIPTION:
TONYO RECEPTACLE, NOTCH PERFORATION
SLTNO-218S,HAT,SST,NOTCH,FRS

SIZE	DWG. NO.	REV	SHEET
B	SLTNO-218S-HAT-NOTCH-CS	0	1 OF 1

8 7 6 5 4 3 2 1