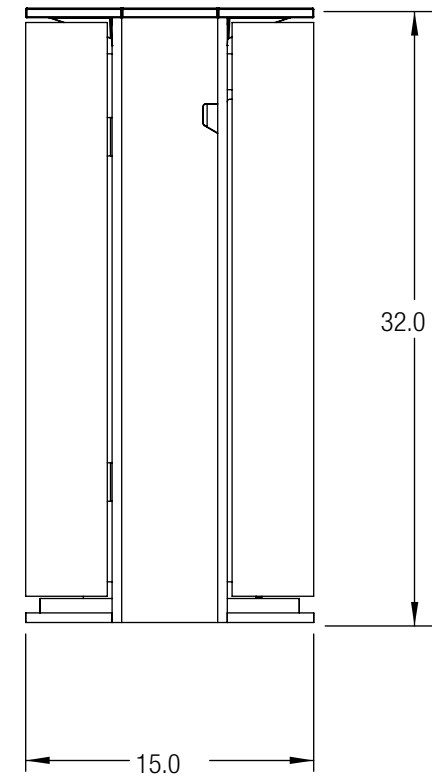
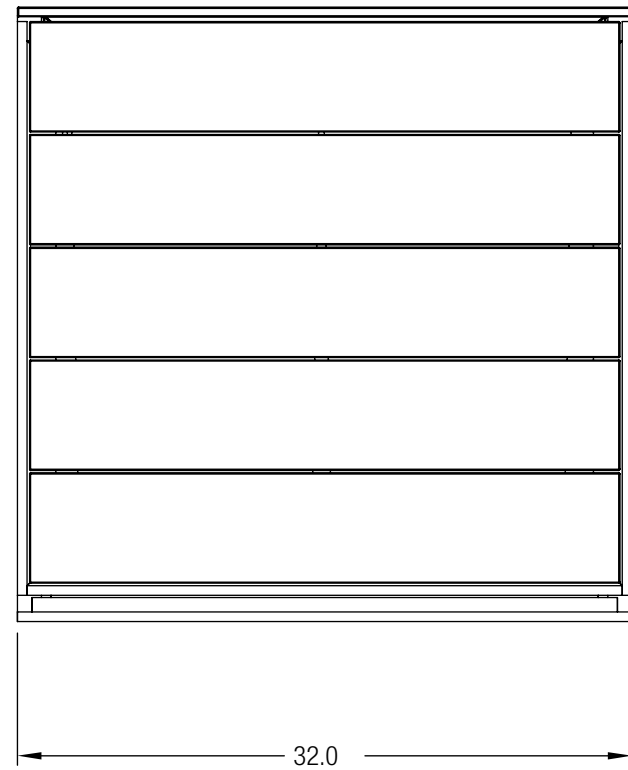
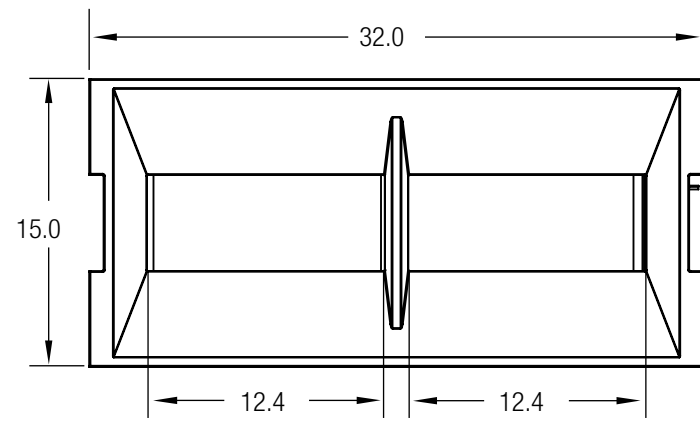


8 7 6 5 4 3 2 1

D  
C  
B  
A

D  
C  
B  
A



CUSTOMER APPROVAL:

X \_\_\_\_\_

DATE:

X \_\_\_\_\_

UNLESS OTHERWISE SPECIFIED,  
DIMENSIONS ARE IN INCHES

TOLERANCES (UNLESS OTHERWISE SPECIFIED):  
FRACTIONAL:  $\pm 1/32$   
ANGULAR/BEND:  $\pm 1^\circ$   
TWO PLACE DECIMAL:  $\pm .030$   
THREE PLACE DECIMAL:  $\pm .020$

MATERIAL: SEE DATA SHEET

FINISH: SEE DATA SHEET

WEIGHT: 112 LBS

SOURCE: MDW

SCALE: N.T.S.

**FORMS+SURFACES**® 30 Pine Street, Pittsburgh, PA 15223  
Tel (412) 781-9003 Fax (412) 781-7840

NAME	DATE
DWN DW	9/14/2012

**APEX RECEPTACLE, 36 GALLON,  
CUMARU, SPLIT-STREAM,  
FREESTANDING**

DO NOT SCALE DRAWING  
PROPRIETARY AND CONFIDENTIAL  
THE INFORMATION CONTAINED IN THIS  
DRAWING IS THE SOLE PROPERTY OF  
FORMS + SURFACES. ANY REPRODUCTION  
IN PART OR AS A WHOLE WITHOUT  
WRITTEN PERMISSION IS PROHIBITED.

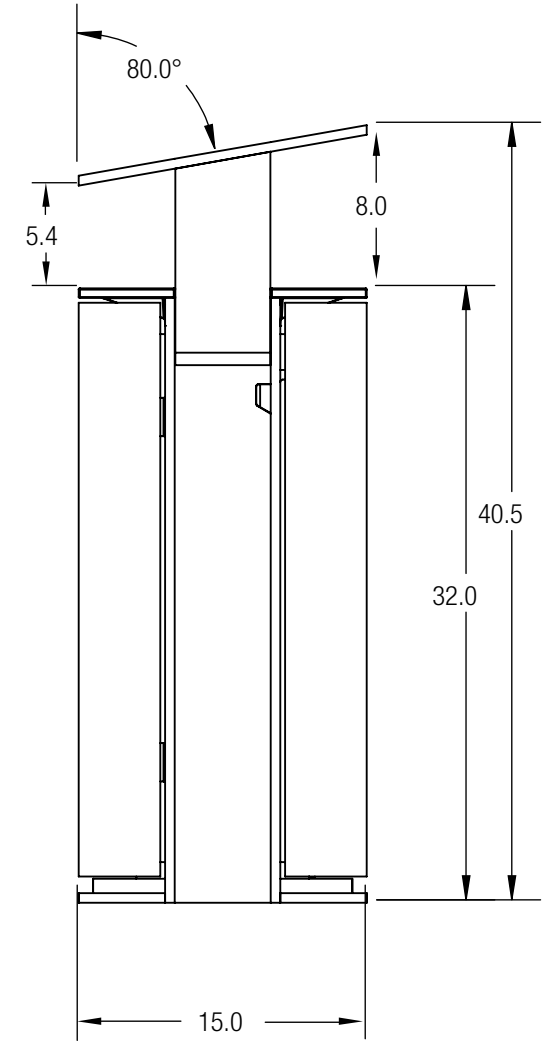
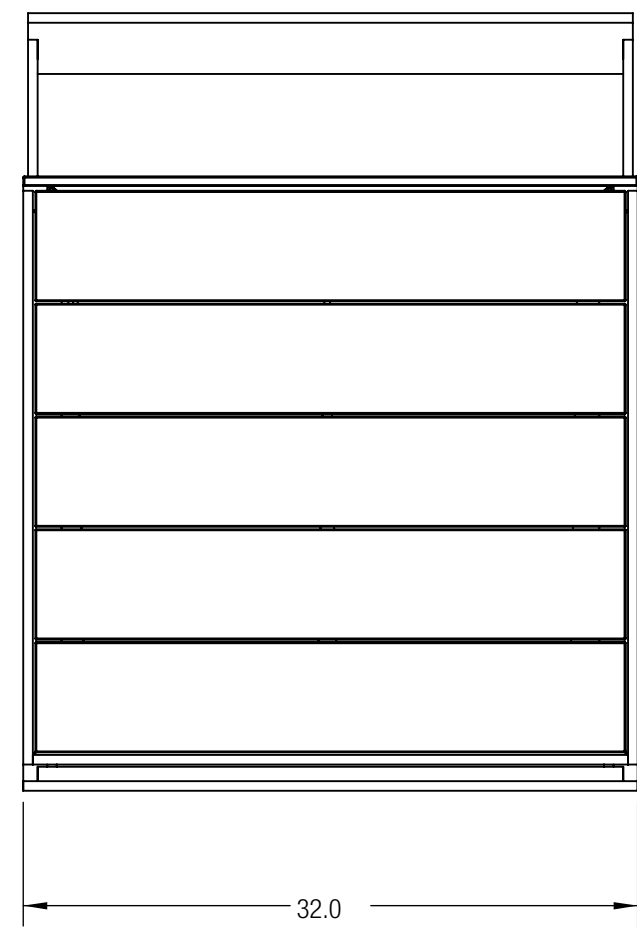
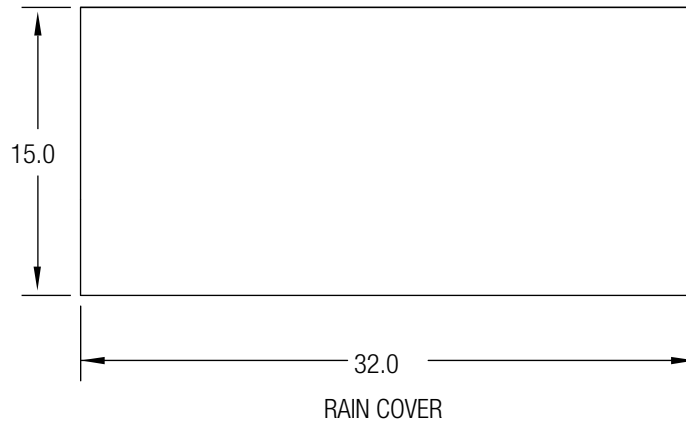
SIZE	DWG. NO.	REV	SHEET
B	SLAPX 36J FS	0	1 OF 1

8 7 6 5 4 3 2 1

PRINTED: 9/17/2012

8 7 6 5 4 3 2 1

D  
C  
B  
A



CUSTOMER APPROVAL:  
 X \_\_\_\_\_  
 DATE:  
 X \_\_\_\_\_

UNLESS OTHERWISE SPECIFIED, DIMENSIONS ARE IN INCHES

**FORMS+SURFACES**® 30 Pine Street, Pittsburgh, PA 15223  
 Tel (412) 781-9003 Fax (412) 781-7840

TOLERANCES (UNLESS OTHERWISE SPECIFIED):		NAME		DATE	
FRACTIONAL:	± 1/32	DWN	DW	9/14/2012	
ANGULAR/BEND:	± 1°				
TWO PLACE DECIMAL	± .030				
THREE PLACE DECIMAL	± .020				
MATERIAL: SEE DATA SHEET		DO NOT SCALE DRAWING			
FINISH: SEE DATA SHEET		PROPRIETARY AND CONFIDENTIAL			
WEIGHT: 143 LBS		THE INFORMATION CONTAINED IN THIS DRAWING IS THE SOLE PROPERTY OF FORMS + SURFACES. ANY REPRODUCTION IN PART OR AS A WHOLE WITHOUT WRITTEN PERMISSION IS PROHIBITED.			
SOURCE: MDW		SIZE	DWG. NO.	REV	SHEET
SCALE: N.T.S.		B	SLAPX 36J RCFS	0	1 OF 1

APEX RECEPTACLE (WITH RAIN COVER), 36 GALLON, CUMARU, SPLIT-STREAM, FREESTANDING

8 7 6 5 4 3 2 1

D  
C  
B  
A

PRINTED: 9/14/2012

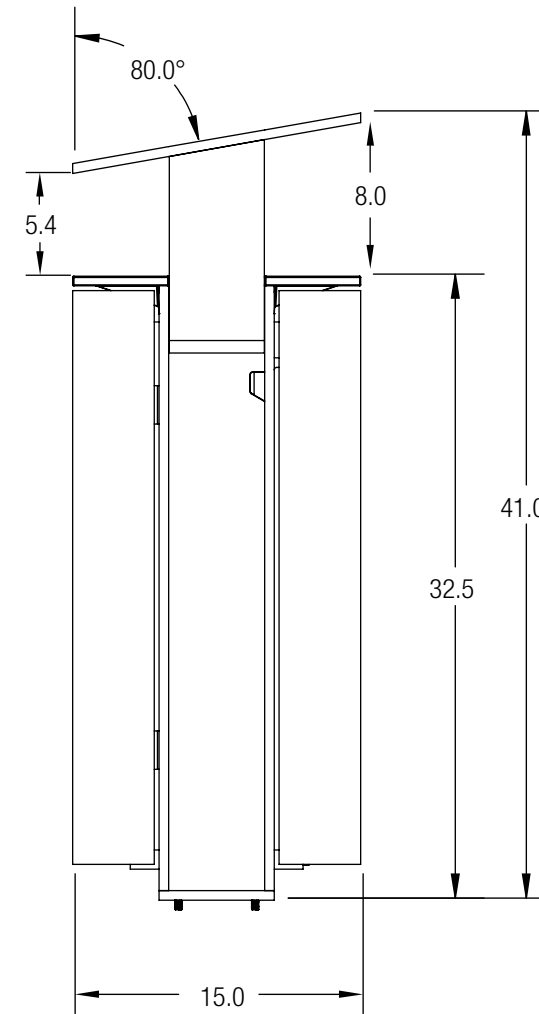
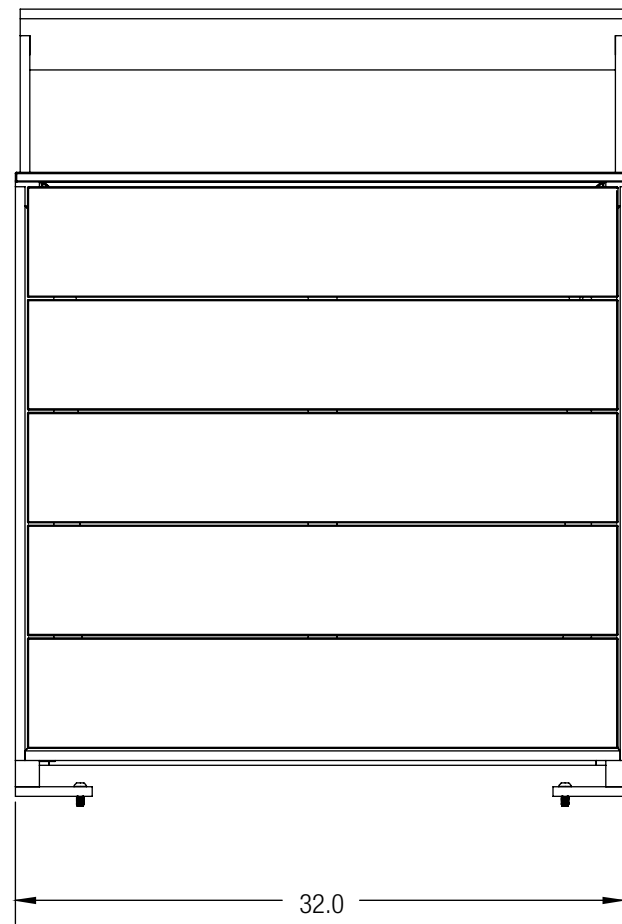
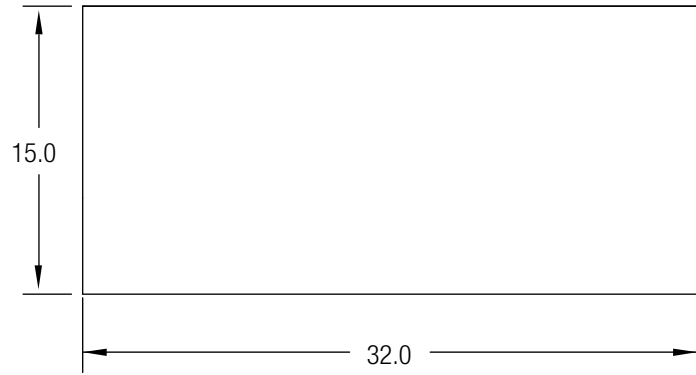
8 7 6 5 4 3 2 1

D

C

B

A



CUSTOMER APPROVAL:

X \_\_\_\_\_

DATE:

X \_\_\_\_\_

UNLESS OTHERWISE SPECIFIED, DIMENSIONS ARE IN INCHES

TOLERANCES (UNLESS OTHERWISE SPECIFIED):  
 FRACTIONAL: ± 1/32  
 ANGULAR/BEND: ± 1°  
 TWO PLACE DECIMAL ± .030  
 THREE PLACE DECIMAL ± .020

MATERIAL: SEE DATA SHEET

FINISH: SEE DATA SHEET

WEIGHT: 143 LBS

SOURCE: MDW

SCALE: N.T.S.

**FORMS+SURFACES**® 30 Pine Street, Pittsburgh, PA 15223  
 Tel (412) 781-9003 Fax (412) 781-7840

NAME	DATE
DWN DW	9/14/2012

DO NOT SCALE DRAWING

PROPRIETARY AND CONFIDENTIAL  
 THE INFORMATION CONTAINED IN THIS DRAWING IS THE SOLE PROPERTY OF FORMS + SURFACES. ANY REPRODUCTION IN PART OR AS A WHOLE WITHOUT WRITTEN PERMISSION IS PROHIBITED.

**APEX RECEPTACLE (WITH RAIN COVER), 36 GALLON, CUMARU, SPLIT-STREAM, SURFACE MOUNT**

SIZE	DWG. NO.	REV	SHEET
B	SLAPX 36J RC SM	0	1 OF 1

8 7 6 5 4 3 2 1

D

C

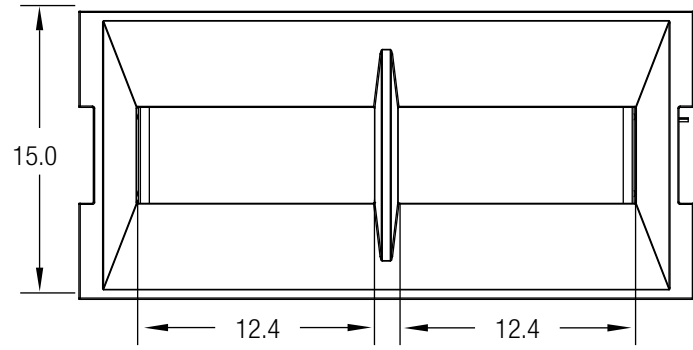
B

A

PRINTED: 9/17/2012

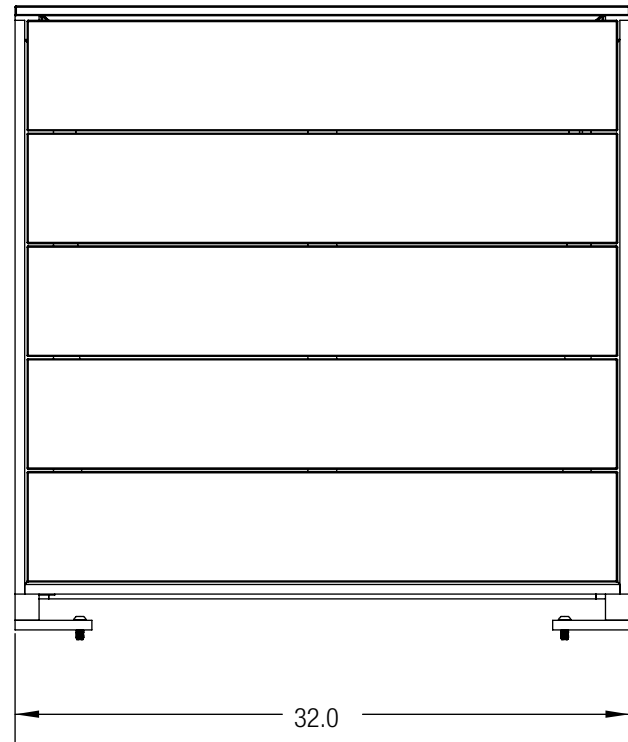
8 7 6 5 4 3 2 1

D



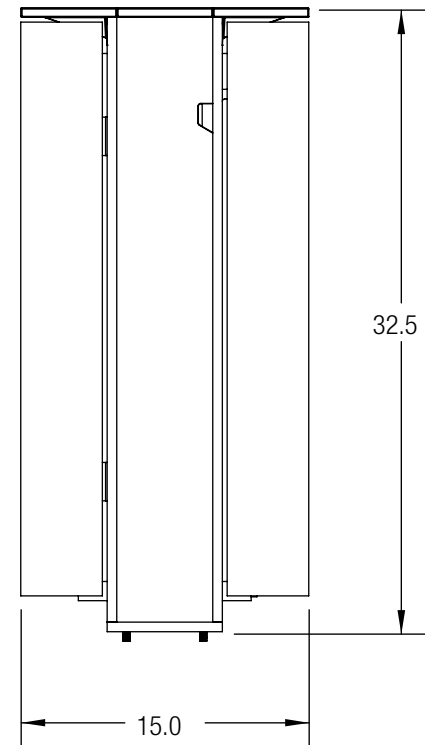
D

C



C

B



B

A

CUSTOMER APPROVAL:

X \_\_\_\_\_

DATE:

X \_\_\_\_\_

UNLESS OTHERWISE SPECIFIED, DIMENSIONS ARE IN INCHES

TOLERANCES (UNLESS OTHERWISE SPECIFIED):  
 FRACTIONAL: ±1/32  
 ANGULAR/BEND: ±1°  
 TWO PLACE DECIMAL ±.030  
 THREE PLACE DECIMAL ±.020

MATERIAL: SEE DATA SHEET

FINISH: SEE DATA SHEET

WEIGHT: 112 LBS.

SOURCE: MDW

SCALE: N.T.S.

**FORMS+SURFACES**® 30 Pine Street, Pittsburgh, PA 15223  
 Tel (412) 781-9003 Fax (412) 781-7840

NAME	DATE
DWN DW	9/14/2012

DO NOT SCALE DRAWING

PROPRIETARY AND CONFIDENTIAL  
 THE INFORMATION CONTAINED IN THIS DRAWING IS THE SOLE PROPERTY OF FORMS + SURFACES. ANY REPRODUCTION IN PART OR AS A WHOLE WITHOUT WRITTEN PERMISSION IS PROHIBITED.

**APEX RECEPTACLE, 36 GALLON, CUMARU, SPLIT-STREAM, SURFACE MOUNT**

SIZE	DWG. NO.	REV	SHEET
B	SLAPX 36J SM	0	1 OF 1

8 7 6 5 4 3 2 1

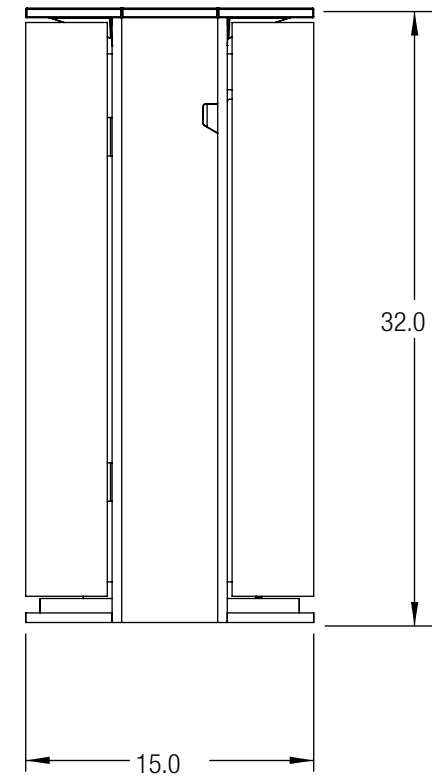
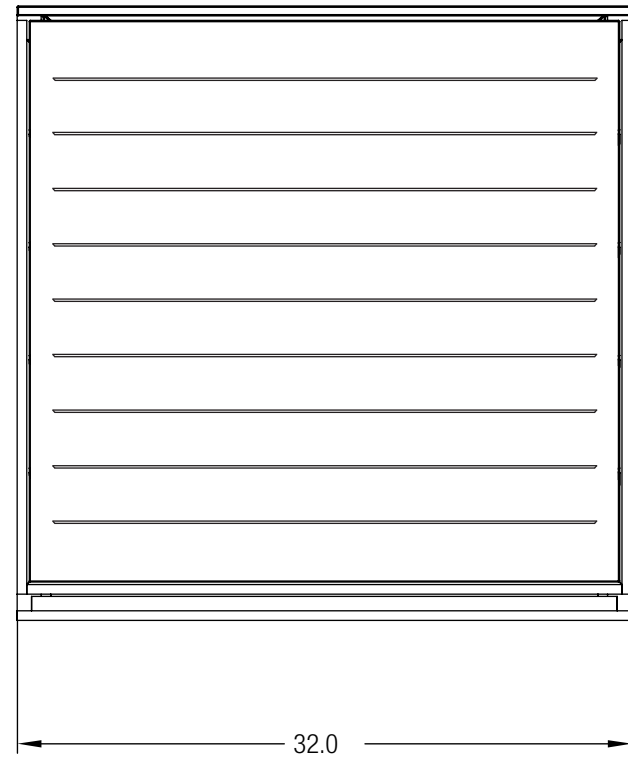
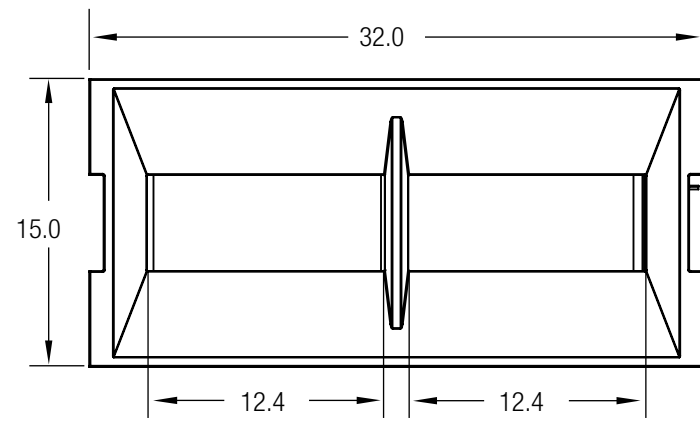
A

PRINTED: 9/17/2012

8 7 6 5 4 3 2 1

D  
C  
B  
A

D  
C  
B  
A



CUSTOMER APPROVAL:

X \_\_\_\_\_

DATE:

X \_\_\_\_\_

UNLESS OTHERWISE SPECIFIED, DIMENSIONS ARE IN INCHES

TOLERANCES (UNLESS OTHERWISE SPECIFIED):  
 FRACTIONAL:  $\pm 1/32$   
 ANGULAR/BEND:  $\pm 1^\circ$   
 TWO PLACE DECIMAL:  $\pm .030$   
 THREE PLACE DECIMAL:  $\pm .020$

MATERIAL: SEE DATA SHEET

FINISH: SEE DATA SHEET

WEIGHT: 120 LBS

SOURCE: MDW

SCALE: N.T.S.

**FORMS+SURFACES**® 30 Pine Street, Pittsburgh, PA 15223  
 Tel (412) 781-9003 Fax (412) 781-7840

NAME	DATE
DWN DW	02/22/2013

DO NOT SCALE DRAWING

PROPRIETARY AND CONFIDENTIAL  
 THE INFORMATION CONTAINED IN THIS DRAWING IS THE SOLE PROPERTY OF FORMS + SURFACES. ANY REPRODUCTION IN PART OR AS A WHOLE WITHOUT WRITTEN PERMISSION IS PROHIBITED.

**APEX RECEPTACLE, 36 GAL,  
 STAINLESS STEEL, SPLIT-STREAM,  
 FREESTANDING**

SIZE	DWG. NO.	REV	SHEET
B	SLAPX 36S FS	0	1 OF 1

8 7 6 5 4 3 2 1

PRINTED: 9/17/2012

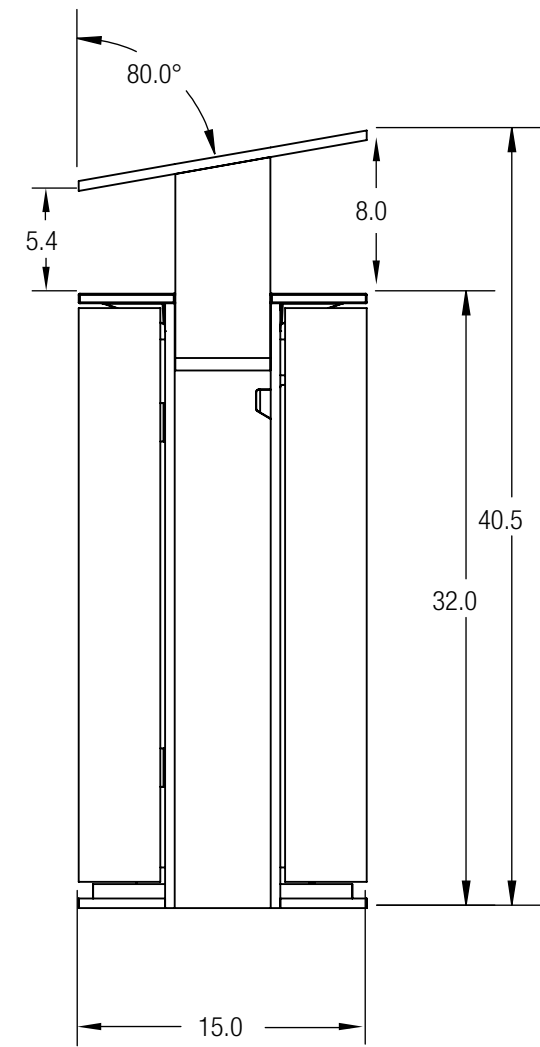
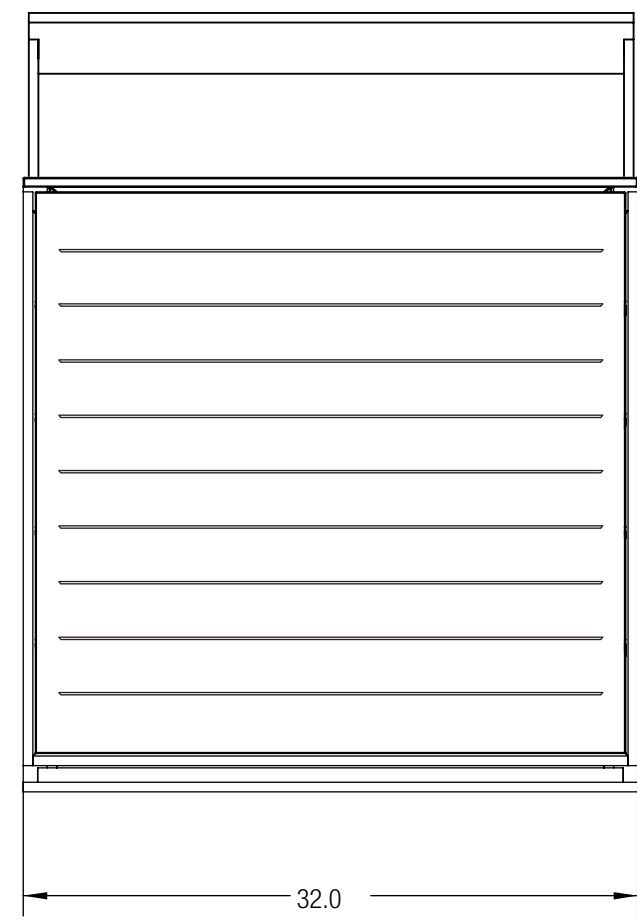
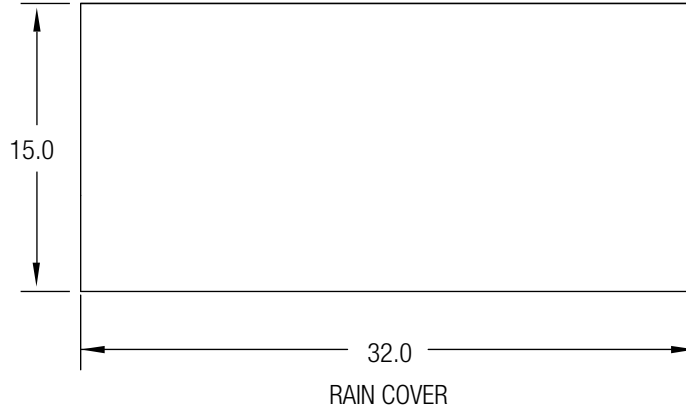
8 7 6 5 4 3 2 1

D

C

B

A



D

C

B

A

CUSTOMER APPROVAL:  
 X \_\_\_\_\_  
 DATE:  
 X \_\_\_\_\_

UNLESS OTHERWISE SPECIFIED, DIMENSIONS ARE IN INCHES

**FORMS+SURFACES**® 30 Pine Street, Pittsburgh, PA 15223  
 Tel (412) 781-9003 Fax (412) 781-7840

TOLERANCES (UNLESS OTHERWISE SPECIFIED):		NAME		DATE	
FRACTIONAL:	± 1/32	DWN	DW	2/22/2013	
ANGULAR/BEND:	± 1°				
TWO PLACE DECIMAL	± .030				
THREE PLACE DECIMAL	± .020				
MATERIAL: SEE DATA SHEET		DO NOT SCALE DRAWING			
FINISH: SEE DATA SHEET		PROPRIETARY AND CONFIDENTIAL			
WEIGHT: 151 LBS		THE INFORMATION CONTAINED IN THIS DRAWING IS THE SOLE PROPERTY OF FORMS + SURFACES. ANY REPRODUCTION IN PART OR AS A WHOLE WITHOUT WRITTEN PERMISSION IS PROHIBITED.			
SOURCE: MDW		SIZE	DWG. NO.	REV	SHEET
SCALE: N.T.S.		B	SLAPX 36S RC FS	0	1 OF 1

**APEX RECEPTACLE (WITH RAIN COVER), 36 GALLON, STAINLESS STEEL SPLIT-STREAM, FREESTANDING**

8 7 6 5 4 3 2 1

PRINTED: 9/14/2012

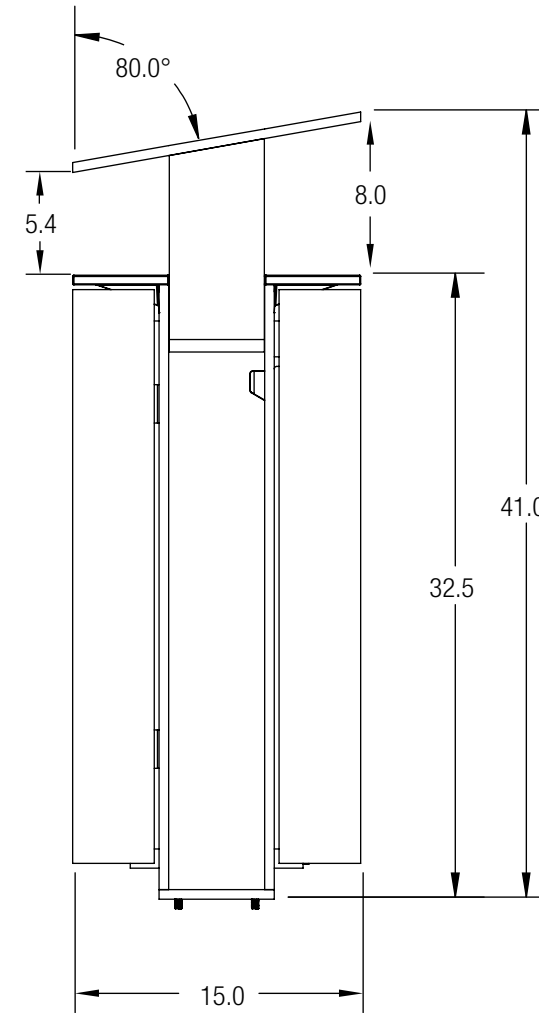
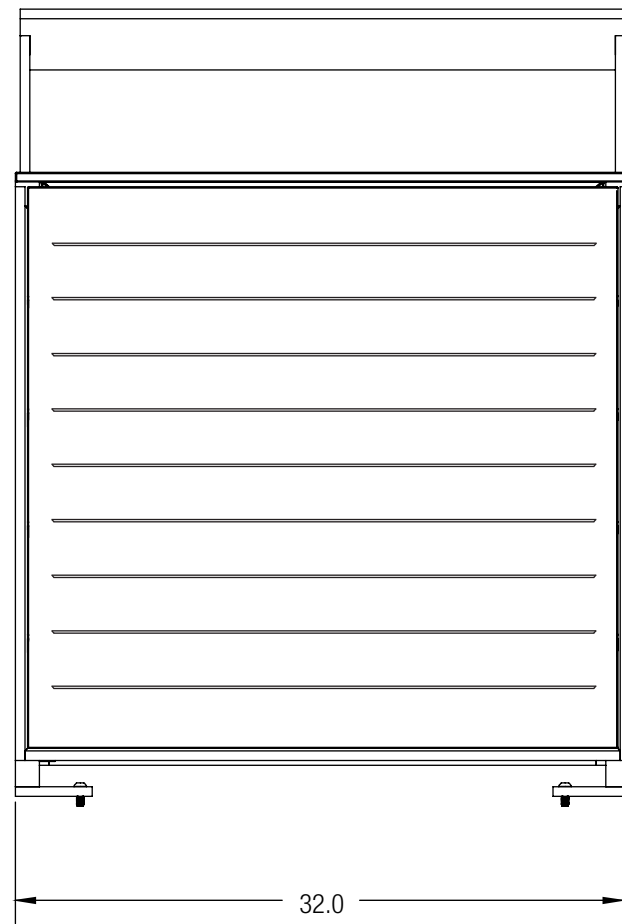
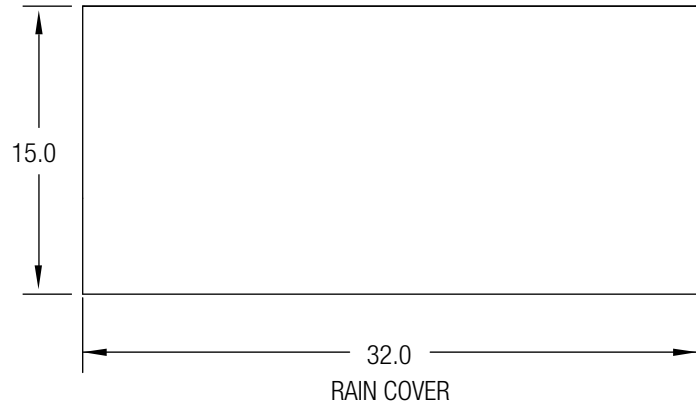
8 7 6 5 4 3 2 1

D

C

B

A



CUSTOMER APPROVAL:

X \_\_\_\_\_

DATE:

X \_\_\_\_\_

UNLESS OTHERWISE SPECIFIED,  
DIMENSIONS ARE IN INCHES

TOLERANCES (UNLESS OTHERWISE SPECIFIED):  
FRACTIONAL:  $\pm 1/32$   
ANGULAR/BEND:  $\pm 1^\circ$   
TWO PLACE DECIMAL  $\pm .030$   
THREE PLACE DECIMAL  $\pm .020$

MATERIAL: SEE DATA SHEET

FINISH: SEE DATA SHEET

WEIGHT: 151 LBS

SOURCE: MDW

SCALE: N.T.S.

**FORMS+SURFACES**® 30 Pine Street, Pittsburgh, PA 15223  
Tel (412) 781-9003 Fax (412) 781-7840

NAME	DATE
DWN	DW 2/22/2013

DO NOT SCALE DRAWING

PROPRIETARY AND CONFIDENTIAL  
THE INFORMATION CONTAINED IN THIS DRAWING IS THE SOLE PROPERTY OF FORMS + SURFACES. ANY REPRODUCTION IN PART OR AS A WHOLE WITHOUT WRITTEN PERMISSION IS PROHIBITED.

**APEX RECEPTACLE (WITH RAIN COVER), 36 GAL, STAINLESS STEEL, SPLIT-STREAM, SURFACE MOUNT**

SIZE	DWG. NO.	REV	SHEET
B	SLAPX 36S RC SM	0	1 OF 1

8 7 6 5 4 3 2 1

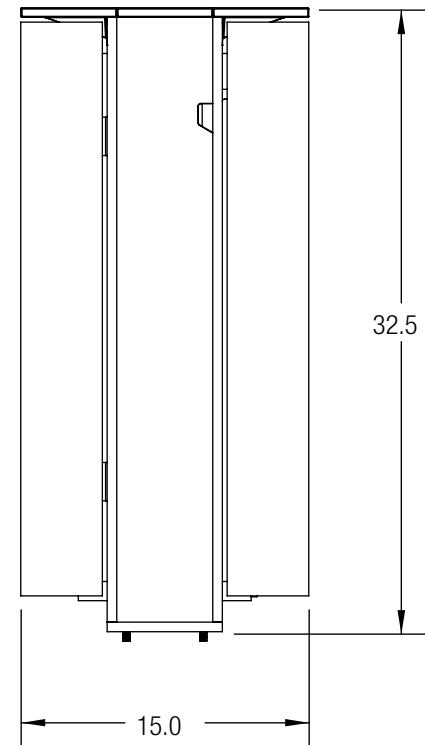
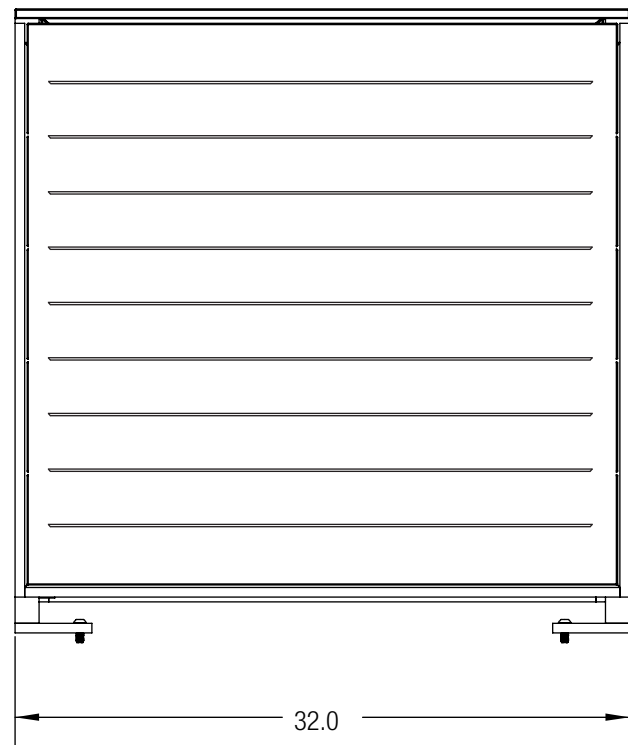
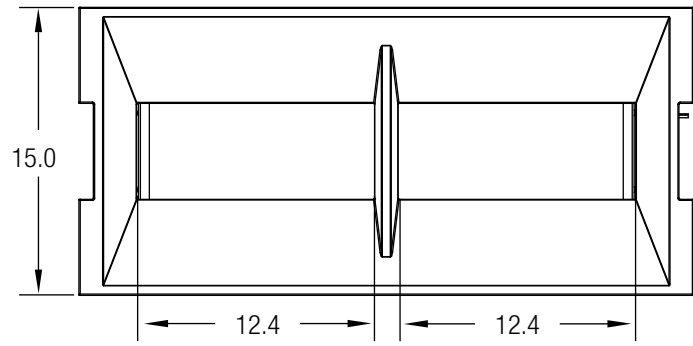
D

C

B

A

PRINTED: 9/17/2012



CUSTOMER APPROVAL:

X \_\_\_\_\_

DATE:

X \_\_\_\_\_

UNLESS OTHERWISE SPECIFIED,  
DIMENSIONS ARE IN INCHES

TOLERANCES (UNLESS OTHERWISE SPECIFIED):  
FRACTIONAL:  $\pm 1/32$   
ANGULAR/BEND:  $\pm 1^\circ$   
TWO PLACE DECIMAL  $\pm .030$   
THREE PLACE DECIMAL  $\pm .020$

MATERIAL: SEE DATA SHEET

FINISH: SEE DATA SHEET

WEIGHT: 120 LBS.

SOURCE: MDW

SCALE: N.T.S.

**FORMS+SURFACES**® 30 Pine Street, Pittsburgh, PA 15223  
Tel (412) 781-9003 Fax (412) 781-7840

NAME	DATE
DWN DW	2/22/2013

DO NOT SCALE DRAWING

PROPRIETARY AND CONFIDENTIAL  
THE INFORMATION CONTAINED IN THIS DRAWING IS THE SOLE PROPERTY OF FORMS + SURFACES. ANY REPRODUCTION IN PART OR AS A WHOLE WITHOUT WRITTEN PERMISSION IS PROHIBITED.

**APEX RECEPTACLE, 36 GALLON,  
STAINLESS STEEL, SPLIT-STREAM,  
SURFACE MOUNT**

SIZE	DWG. NO.	REV	SHEET
B	SLAPX 36S SM	0	1 OF 1

PRINTED: 9/17/2012