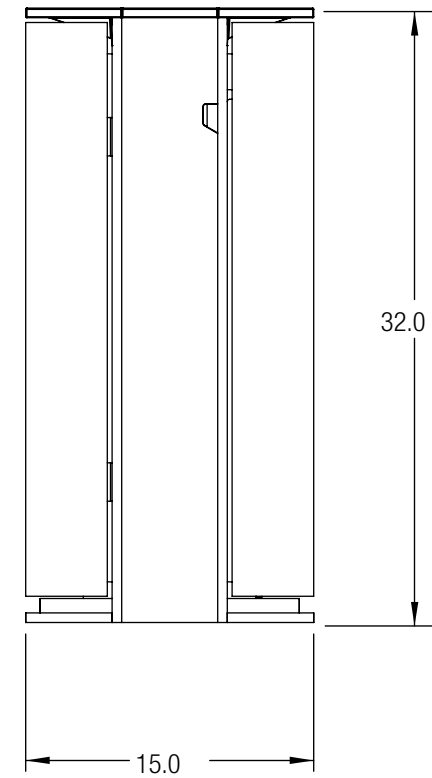
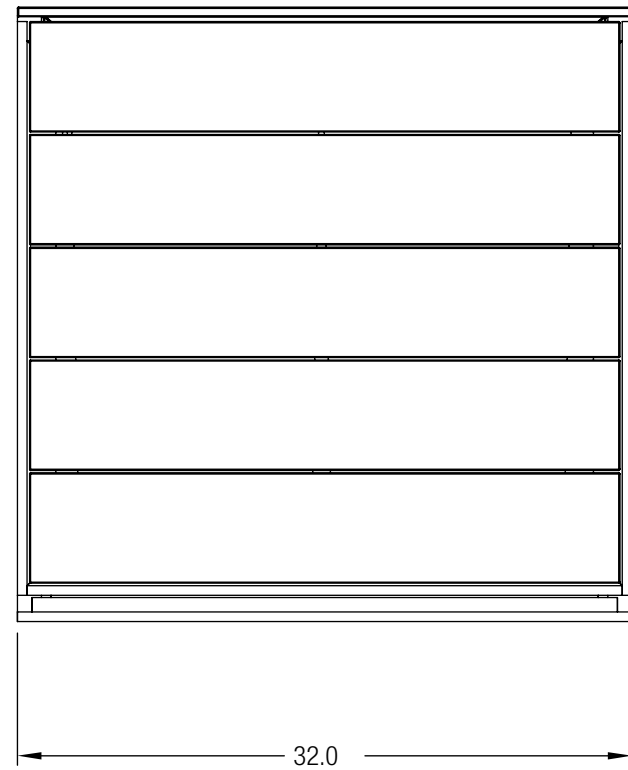
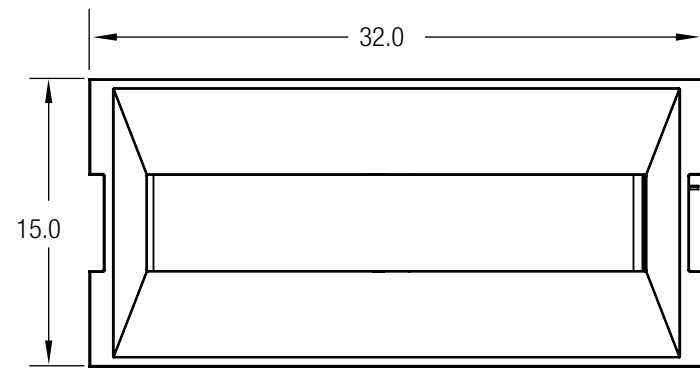


8 7 6 5 4 3 2 1

D  
C  
B  
A

D  
C  
B  
A



CUSTOMER APPROVAL:

X \_\_\_\_\_

DATE:

X \_\_\_\_\_

UNLESS OTHERWISE SPECIFIED,  
DIMENSIONS ARE IN INCHES

TOLERANCES (UNLESS OTHERWISE SPECIFIED):  
FRACTIONAL:  $\pm 1/32$   
ANGULAR/BEND:  $\pm 1^\circ$   
TWO PLACE DECIMAL:  $\pm .030$   
THREE PLACE DECIMAL:  $\pm .020$

MATERIAL: SEE DATA SHEET

FINISH: SEE DATA SHEET

WEIGHT: 112 LBS

SOURCE: MDW

SCALE: N.T.S.

**FORMS+SURFACES**® 30 Pine Street, Pittsburgh, PA 15223  
Tel (412) 781-9003 Fax (412) 781-7840

NAME	DATE
DWN DW	01/02/2014

DO NOT SCALE DRAWING

PROPRIETARY AND CONFIDENTIAL  
THE INFORMATION CONTAINED IN THIS DRAWING IS THE SOLE PROPERTY OF FORMS + SURFACES. ANY REPRODUCTION IN PART OR AS A WHOLE WITHOUT WRITTEN PERMISSION IS PROHIBITED.

APEX RECEPTACLE, 36 GALLON,  
CUMARU, SINGLE-STREAM,  
FREESTANDING

SIZE	DWG. NO.	REV	SHEET
B	SLAPX 136J FS	0	1 OF 1

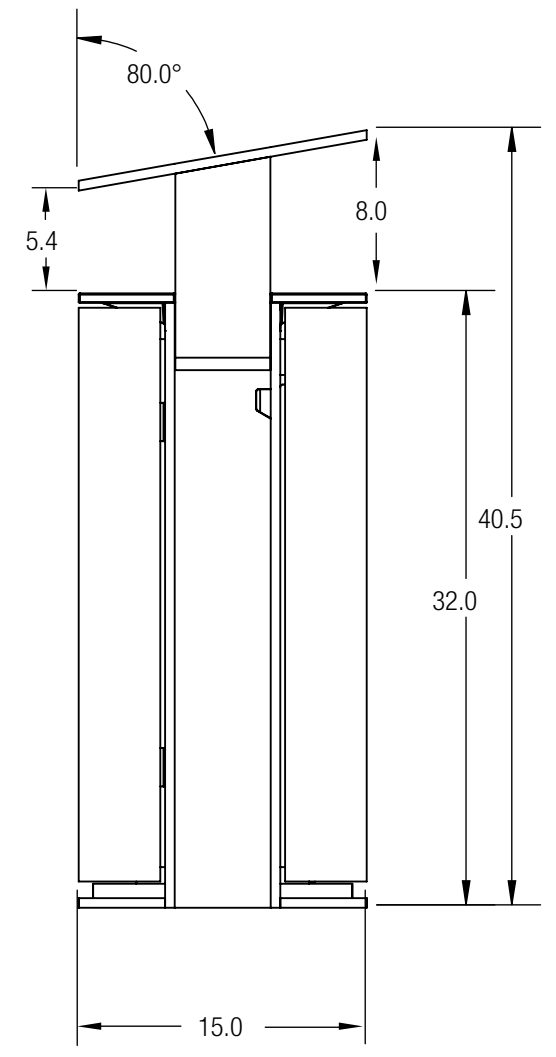
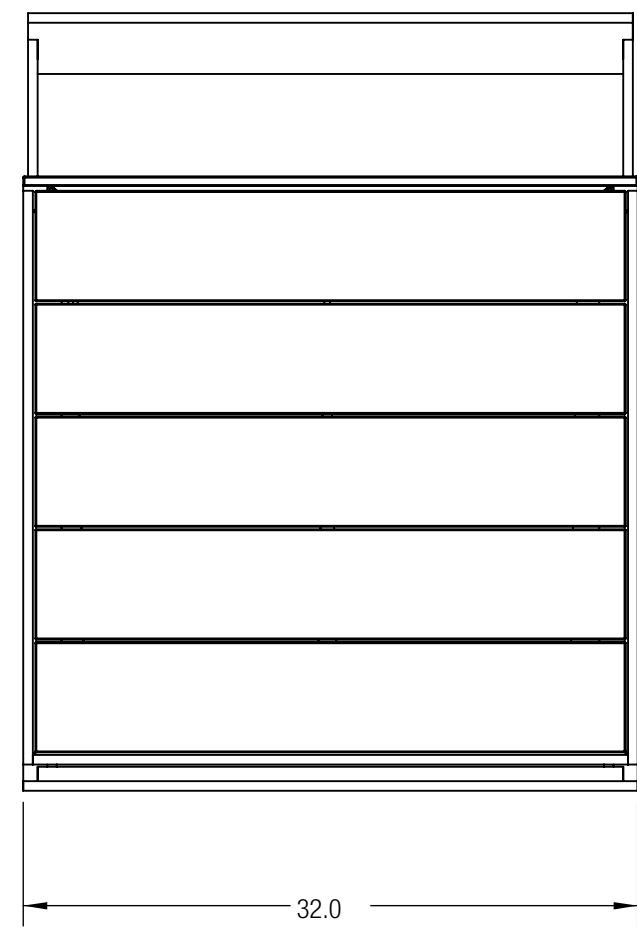
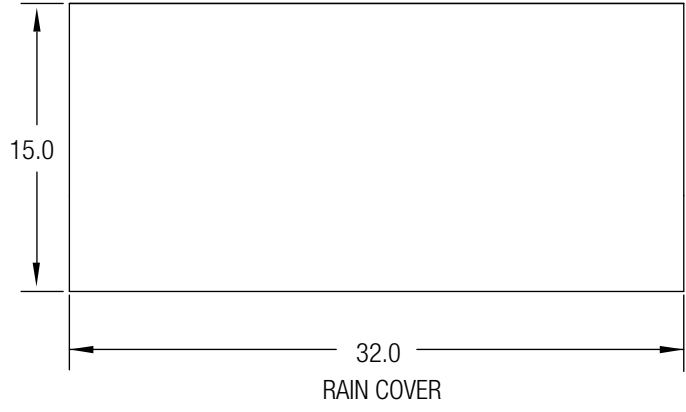
8 7 6 5 4 3 2 1

PRINTED: 9/17/2012

8 7 6 5 4 3 2 1

D  
C  
B  
A

D  
C  
B  
A



CUSTOMER APPROVAL:  
X \_\_\_\_\_  
DATE:  
X \_\_\_\_\_

UNLESS OTHERWISE SPECIFIED, DIMENSIONS ARE IN INCHES

**FORMS+SURFACES**® 30 Pine Street, Pittsburgh, PA 15223  
Tel (412) 781-9003 Fax (412) 781-7840

TOLERANCES (UNLESS OTHERWISE SPECIFIED):		NAME		DATE	
FRACTIONAL: ± 1/32		DWN	DW	01/02/2014	
ANGULAR/BEND: ± 1°		DO NOT SCALE DRAWING			
TWO PLACE DECIMAL ± .030					
THREE PLACE DECIMAL ± .020					
MATERIAL: SEE DATA SHEET		PROPRIETARY AND CONFIDENTIAL			
FINISH: SEE DATA SHEET		THE INFORMATION CONTAINED IN THIS DRAWING IS THE SOLE PROPERTY OF FORMS + SURFACES. ANY REPRODUCTION IN PART OR AS A WHOLE WITHOUT WRITTEN PERMISSION IS PROHIBITED.			
WEIGHT: 143 LBS		SIZE	DWG. NO.	REV	SHEET
SOURCE: MDW		B	SLAPX 136J RCFS	0	1 OF 1
SCALE: N.T.S.					

**APEX RECEPTACLE (WITH RAIN COVER), 36 GALLON, CUMARU, SINGLE-STREAM, FREESTANDING**

8 7 6 5 4 3 2 1

PRINTED: 9/14/2012

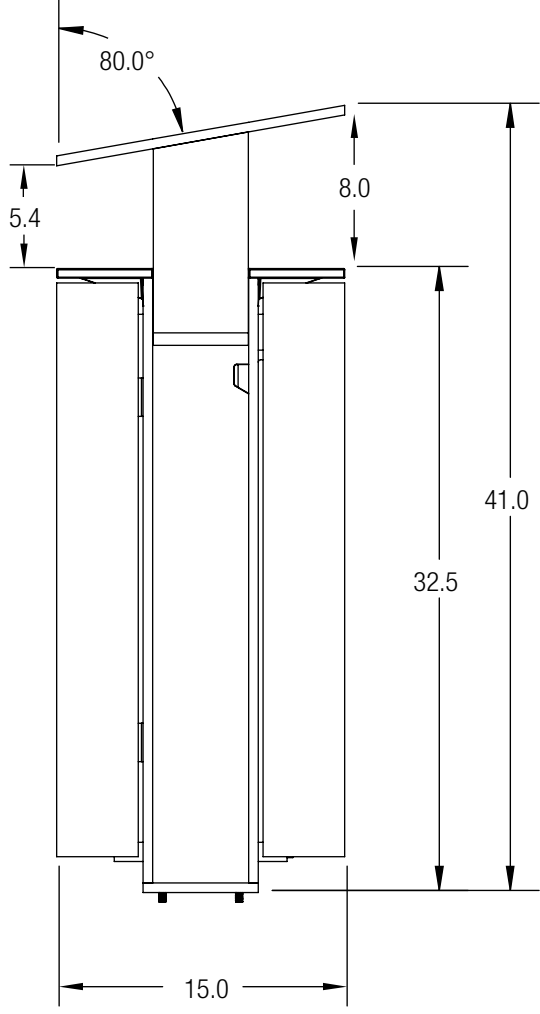
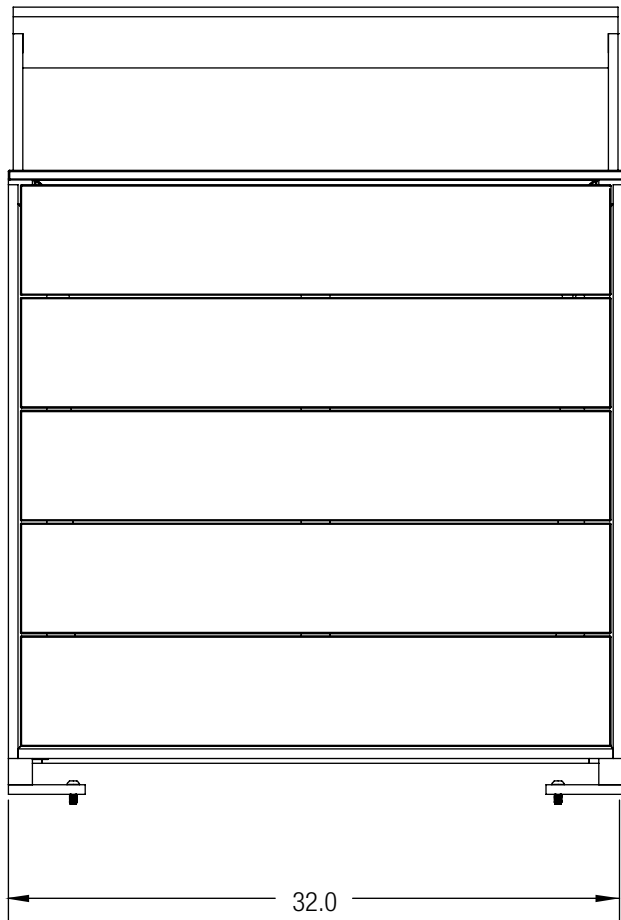
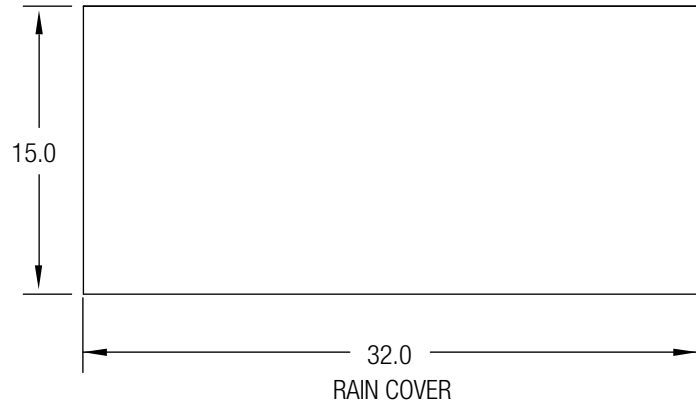
8 7 6 5 4 3 2 1

D

C

B

A



D

C

B

A

CUSTOMER APPROVAL:

X \_\_\_\_\_

DATE:

X \_\_\_\_\_

UNLESS OTHERWISE SPECIFIED,  
DIMENSIONS ARE IN INCHES  
TOLERANCES (UNLESS OTHERWISE  
SPECIFIED):  
FRACTIONAL: ± 1/32  
ANGULAR/BEND: ± 1°  
TWO PLACE DECIMAL ± .030  
THREE PLACE DECIMAL ± .020  
MATERIAL: SEE DATA SHEET  
FINISH: SEE DATA SHEET  
WEIGHT: 143 LBS  
SOURCE: MDW  
SCALE: N.T.S.

**FORMS+SURFACES**® 30 Pine Street, Pittsburgh, PA 15223  
Tel (412) 781-9003 Fax (412) 781-7840

NAME	DATE
DWN	DW 01/02/2014

DO NOT SCALE DRAWING

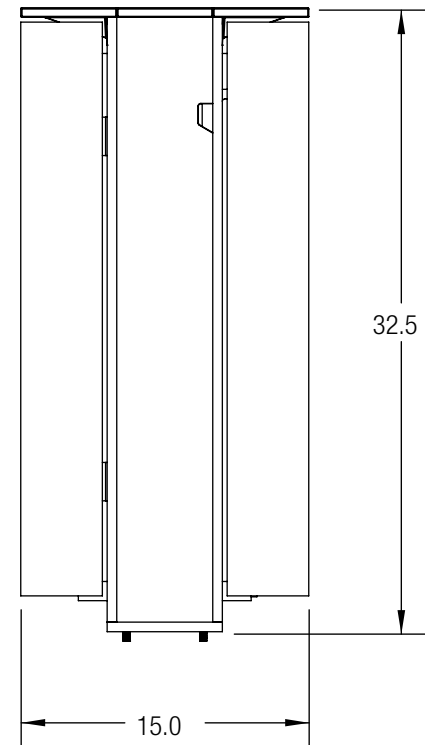
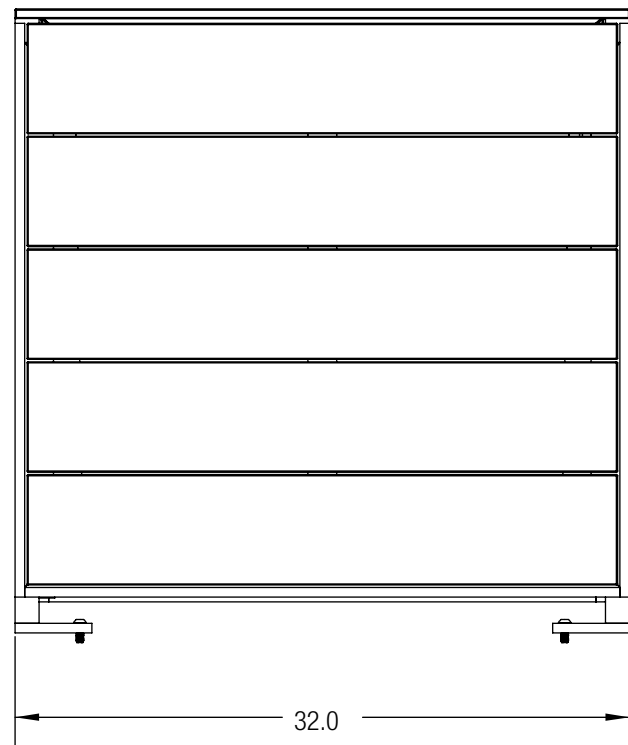
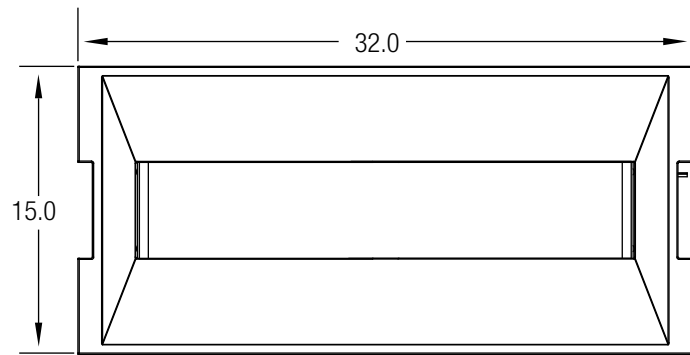
PROPRIETARY AND CONFIDENTIAL  
THE INFORMATION CONTAINED IN THIS  
DRAWING IS THE SOLE PROPERTY OF  
FORMS + SURFACES. ANY REPRODUCTION  
IN PART OR AS A WHOLE WITHOUT  
WRITTEN PERMISSION IS PROHIBITED.

**APEX RECEPTACLE (WITH RAIN  
COVER), 36 GALLON, CUMARU,  
SINGLE-STREAM, SURFACE MOUNT**

SIZE	DWG. NO.	REV	SHEET
B	SLAPX 136J RC SM	0	1 OF 1

8 7 6 5 4 3 2 1

PRINTED: 9/17/2012



CUSTOMER APPROVAL:

X \_\_\_\_\_

DATE:

X \_\_\_\_\_

UNLESS OTHERWISE SPECIFIED,  
DIMENSIONS ARE IN INCHES

TOLERANCES (UNLESS OTHERWISE SPECIFIED):  
FRACTIONAL:  $\pm 1/32$   
ANGULAR/BEND:  $\pm 1^\circ$   
TWO PLACE DECIMAL  $\pm .030$   
THREE PLACE DECIMAL  $\pm .020$

MATERIAL: SEE DATA SHEET

FINISH: SEE DATA SHEET

WEIGHT: 112 LBS.

SOURCE: MDW

SCALE: N.T.S.

**FORMS+SURFACES**® 30 Pine Street, Pittsburgh, PA 15223  
Tel (412) 781-9003 Fax (412) 781-7840

NAME	DATE
DWN	DW 01/02/2014

DO NOT SCALE DRAWING

PROPRIETARY AND CONFIDENTIAL  
THE INFORMATION CONTAINED IN THIS DRAWING IS THE SOLE PROPERTY OF FORMS + SURFACES. ANY REPRODUCTION IN PART OR AS A WHOLE WITHOUT WRITTEN PERMISSION IS PROHIBITED.

**APEX RECEPTACLE, 36 GALLON,  
CUMARU, SINGLE-STREAM,  
SURFACE MOUNT**

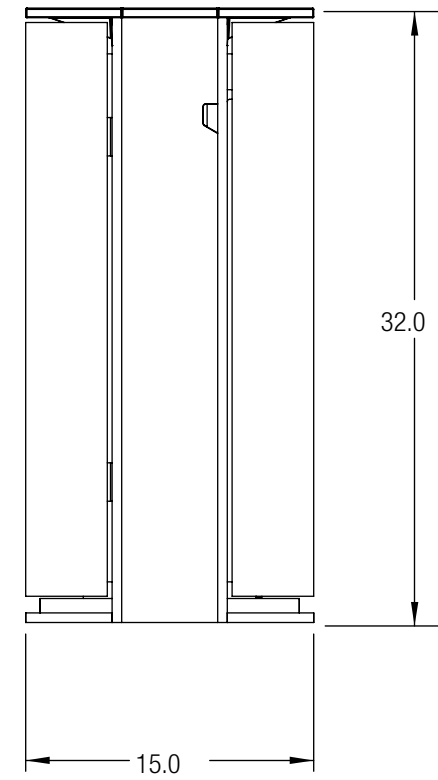
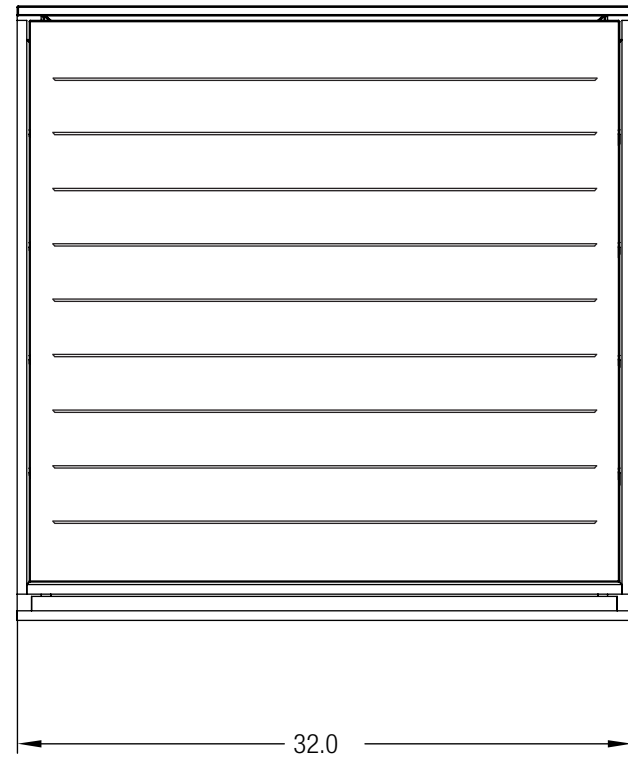
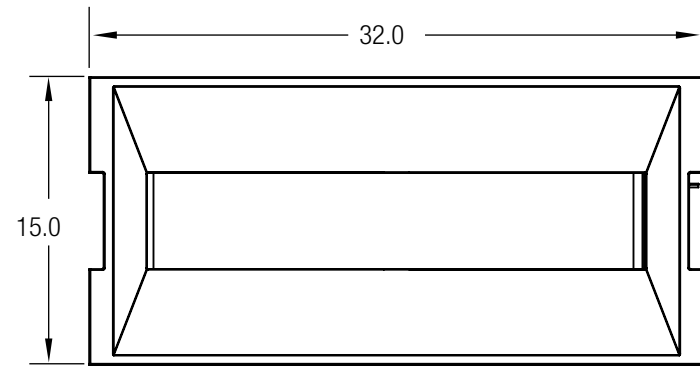
SIZE	DWG. NO.	REV	SHEET
B	SLAPX 136J SM	0	1 OF 1

PRINTED: 9/17/2012

8 7 6 5 4 3 2 1

D  
C  
B  
A

D  
C  
B  
A



CUSTOMER APPROVAL:

X \_\_\_\_\_

DATE:

X \_\_\_\_\_

UNLESS OTHERWISE SPECIFIED,  
DIMENSIONS ARE IN INCHES  
TOLERANCES (UNLESS OTHERWISE  
SPECIFIED):  
FRACTIONAL: ±1/32  
ANGULAR/BEND: ±1°\*  
TWO PLACE DECIMAL ±.030  
THREE PLACE DECIMAL ±.020  
MATERIAL: SEE DATA SHEET  
FINISH: SEE DATA SHEET  
WEIGHT: 120 LBS  
SOURCE: MDW  
SCALE: N.T.S.

**FORMS+SURFACES**® 30 Pine Street, Pittsburgh, PA 15223  
Tel (412) 781-9003 Fax (412) 781-7840

NAME	DATE
DWN DW	01/02/2014

DO NOT SCALE DRAWING

PROPRIETARY AND CONFIDENTIAL  
THE INFORMATION CONTAINED IN THIS  
DRAWING IS THE SOLE PROPERTY OF  
FORMS + SURFACES. ANY REPRODUCTION  
IN PART OR AS A WHOLE WITHOUT  
WRITTEN PERMISSION IS PROHIBITED.

**APEX RECEPTACLE, 36 GAL,  
STAINLESS STEEL, SINGLE-STREAM,  
FREESTANDING**

SIZE	DWG. NO.	REV	SHEET
B	SLAPX 136S FS	0	1 OF 1

8 7 6 5 4 3 2 1

PRINTED: 9/17/2012

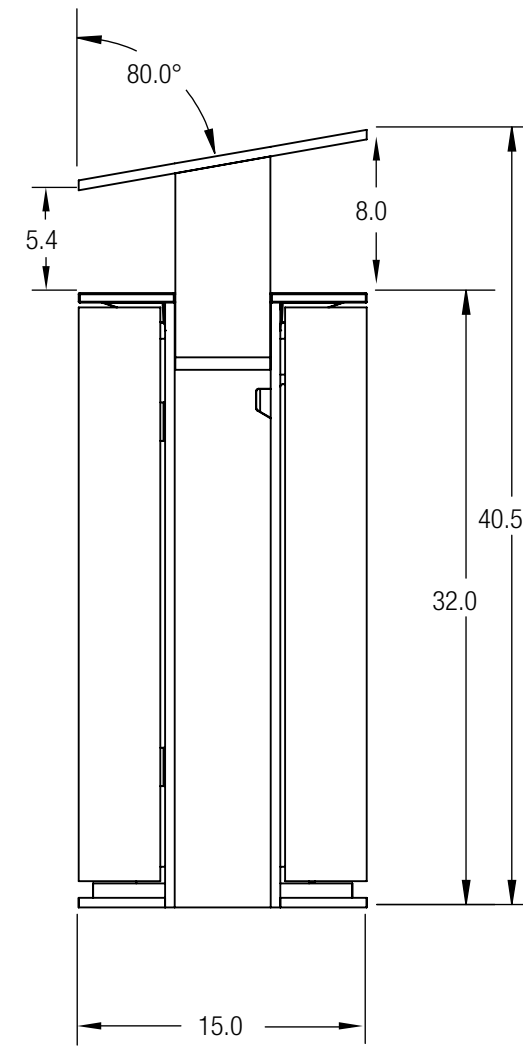
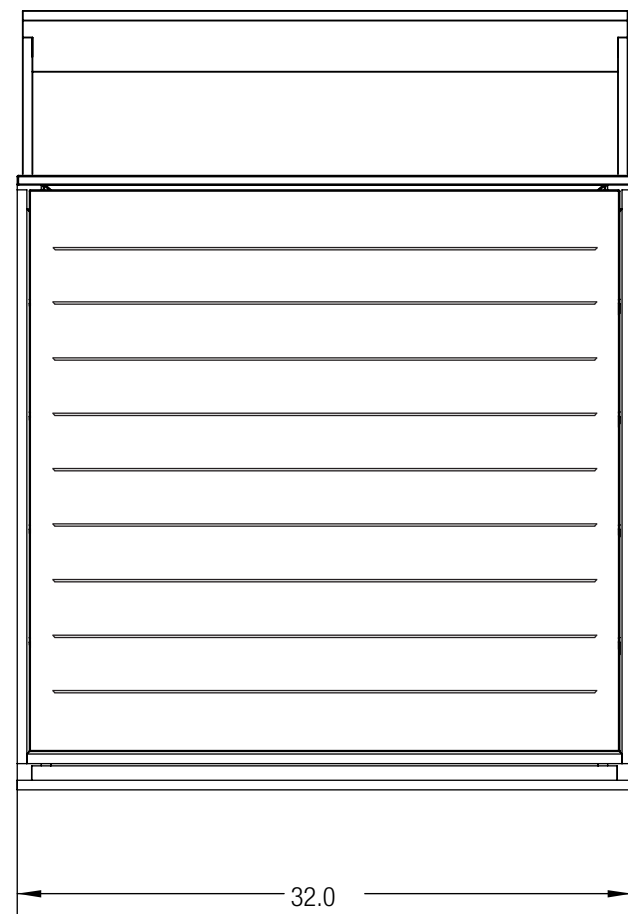
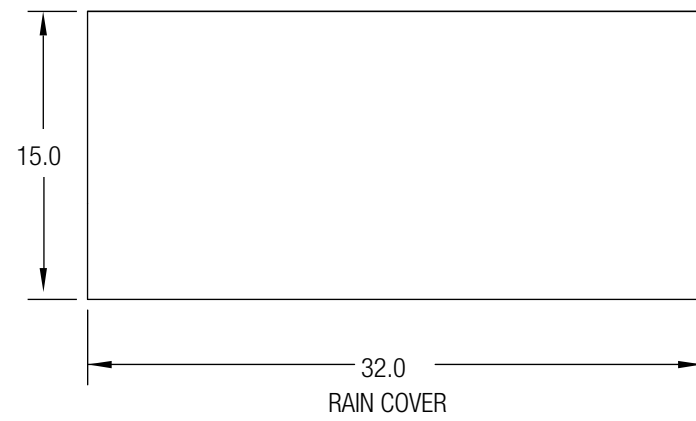
8 7 6 5 4 3 2 1

D

C

B

A



CUSTOMER APPROVAL:

X \_\_\_\_\_

DATE:

X \_\_\_\_\_

UNLESS OTHERWISE SPECIFIED,  
DIMENSIONS ARE IN INCHES

TOLERANCES (UNLESS OTHERWISE SPECIFIED):  
FRACTIONAL:  $\pm 1/32$   
ANGULAR/BEND:  $\pm 1^\circ$   
TWO PLACE DECIMAL:  $\pm .030$   
THREE PLACE DECIMAL:  $\pm .020$

MATERIAL: SEE DATA SHEET

FINISH: SEE DATA SHEET

WEIGHT: 151 LBS

SOURCE: MDW

SCALE: N.T.S.

**FORMS+SURFACES**® 30 Pine Street, Pittsburgh, PA 15223  
Tel (412) 781-9003 Fax (412) 781-7840

NAME	DATE
DWN	DW 01/02/2014

DO NOT SCALE DRAWING

PROPRIETARY AND CONFIDENTIAL  
THE INFORMATION CONTAINED IN THIS DRAWING IS THE SOLE PROPERTY OF FORMS + SURFACES. ANY REPRODUCTION IN PART OR AS A WHOLE WITHOUT WRITTEN PERMISSION IS PROHIBITED.

**APEX RECEPTACLE (WITH RAIN COVER), 36 GALLON, STAINLESS STEEL SINGLE-STREAM, FREESTANDING**

SIZE	DWG. NO.	REV	SHEET
B	SLAPX 136S RC FS	0	1 OF 1

8 7 6 5 4 3 2 1

D

C

B

A

PRINTED: 9/14/2012

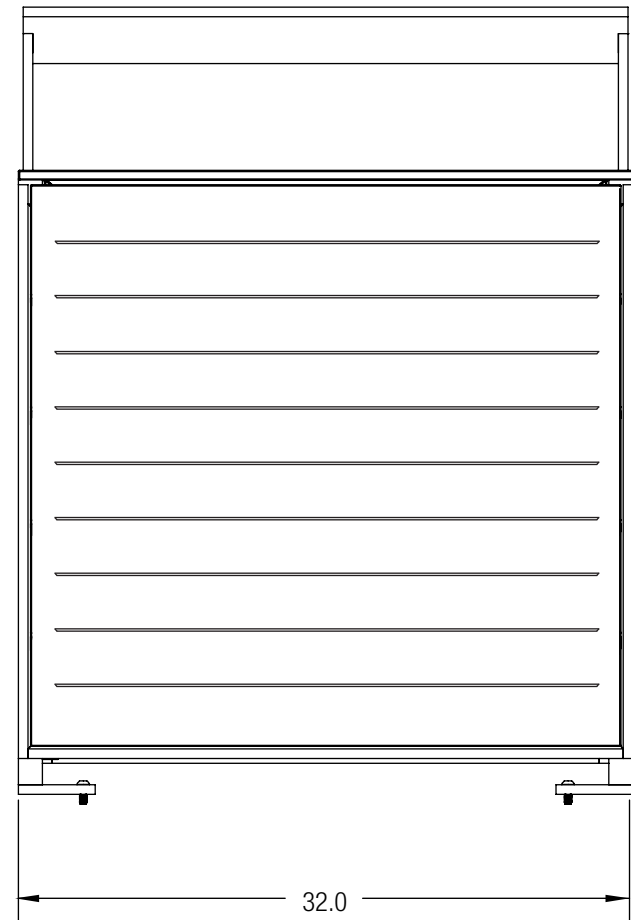
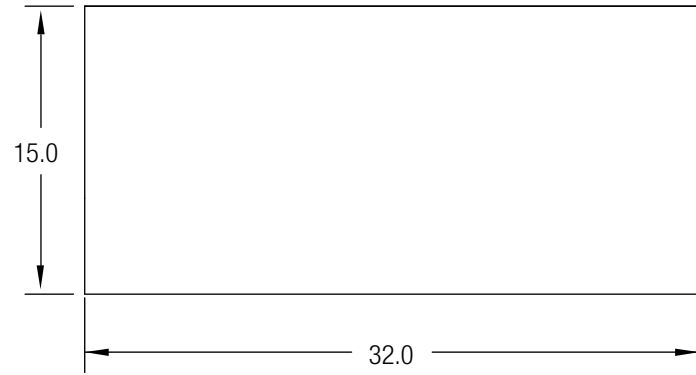
8 7 6 5 4 3 2 1

D

C

B

A

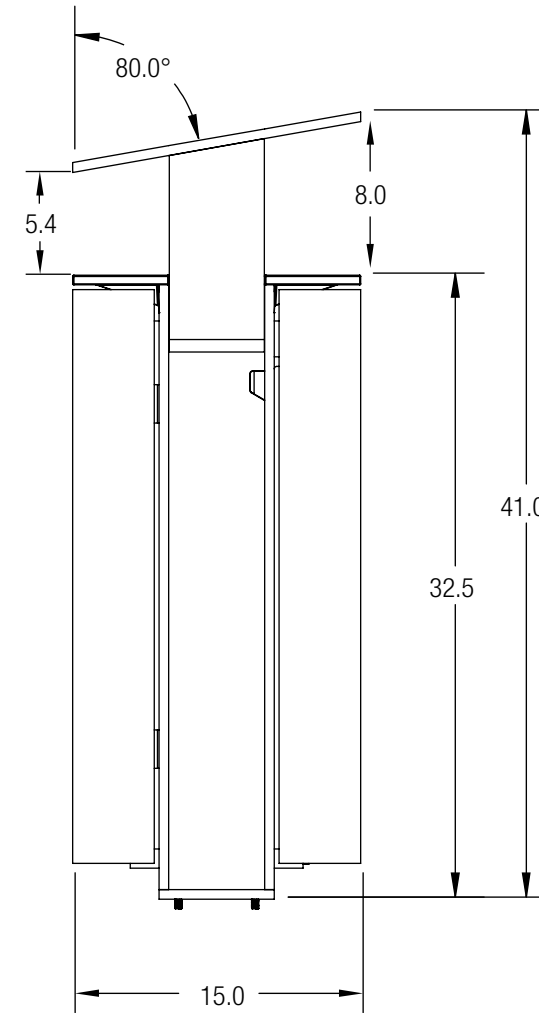


CUSTOMER APPROVAL:

X \_\_\_\_\_

DATE:

X \_\_\_\_\_



UNLESS OTHERWISE SPECIFIED,  
DIMENSIONS ARE IN INCHES

TOLERANCES (UNLESS OTHERWISE SPECIFIED):  
 FRACTIONAL:  $\pm 1/32$   
 ANGULAR/BEND:  $\pm 1^\circ$   
 TWO PLACE DECIMAL  $\pm .030$   
 THREE PLACE DECIMAL  $\pm .020$

MATERIAL: SEE DATA SHEET

FINISH: SEE DATA SHEET

WEIGHT: 151 LBS

SOURCE: MDW

SCALE: N.T.S.

**FORMS+SURFACES**® 30 Pine Street, Pittsburgh, PA 15223  
Tel (412) 781-9003 Fax (412) 781-7840

NAME	DATE
DWN	DW 01/02/2014

DO NOT SCALE DRAWING

PROPRIETARY AND CONFIDENTIAL

THE INFORMATION CONTAINED IN THIS DRAWING IS THE SOLE PROPERTY OF FORMS + SURFACES. ANY REPRODUCTION IN PART OR AS A WHOLE WITHOUT WRITTEN PERMISSION IS PROHIBITED.

**APEX RECEPTACLE (WITH RAIN COVER), 36 GAL, STAINLESS STEEL, SINGLE-STREAM, SURFACE MOUNT**

SIZE	DWG. NO.	REV	SHEET
B	SLAPX 136S RC SM	0	1 OF 1

8 7 6 5 4 3 2 1

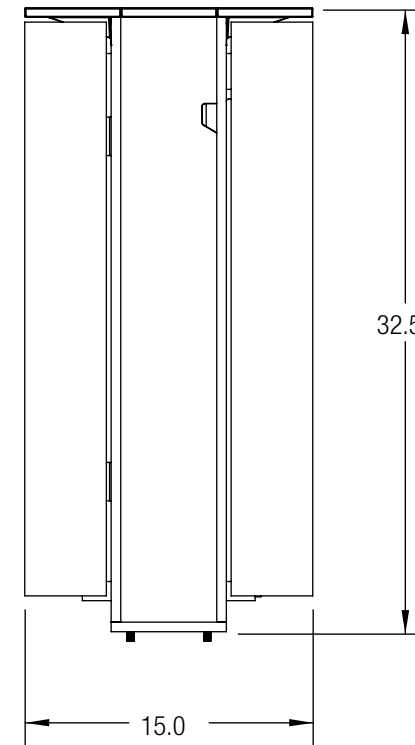
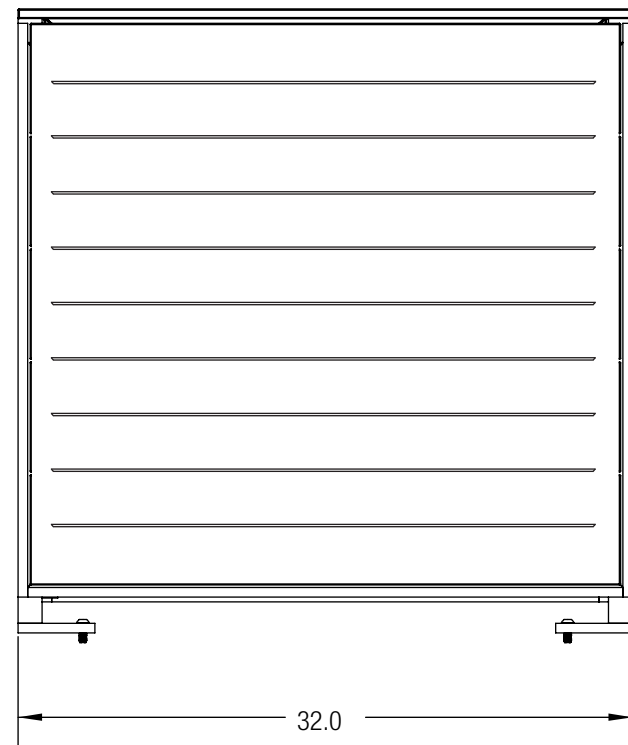
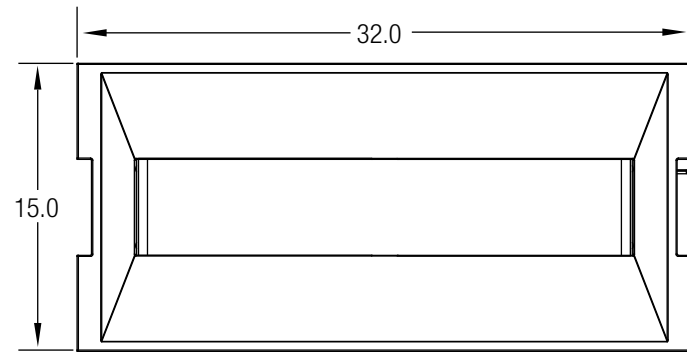
D

C

B

A

PRINTED: 9/17/2012



CUSTOMER APPROVAL:

X \_\_\_\_\_

DATE:

X \_\_\_\_\_

UNLESS OTHERWISE SPECIFIED,  
DIMENSIONS ARE IN INCHES

TOLERANCES (UNLESS OTHERWISE SPECIFIED):  
FRACTIONAL:  $\pm 1/32$   
ANGULAR/BEND:  $\pm 1^\circ$   
TWO PLACE DECIMAL  $\pm .030$   
THREE PLACE DECIMAL  $\pm .020$

MATERIAL: SEE DATA SHEET

FINISH: SEE DATA SHEET

WEIGHT: 120 LBS.

SOURCE: MDW

SCALE: N.T.S.

**FORMS+SURFACES**® 30 Pine Street, Pittsburgh, PA 15223  
Tel (412) 781-9003 Fax (412) 781-7840

NAME	DATE
DWN	DW
	01/02/2014

DO NOT SCALE DRAWING

PROPRIETARY AND CONFIDENTIAL  
THE INFORMATION CONTAINED IN THIS DRAWING IS THE SOLE PROPERTY OF FORMS + SURFACES. ANY REPRODUCTION IN PART OR AS A WHOLE WITHOUT WRITTEN PERMISSION IS PROHIBITED.

**APEX RECEPTACLE, 36 GALLON,  
STAINLESS STEEL, SINGLE-STREAM,  
SURFACE MOUNT**

SIZE	DWG. NO.	REV	SHEET
B	SLAPX 136S SM	0	1 OF 1

PRINTED: 9/17/2012