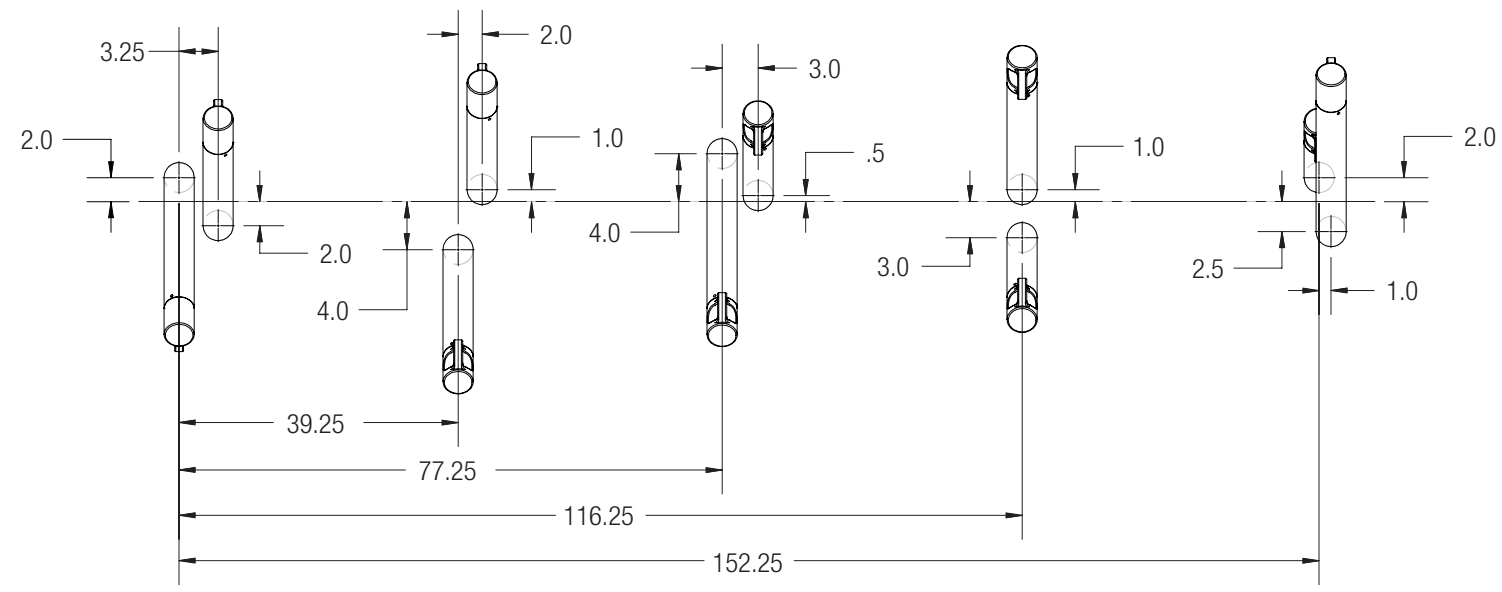
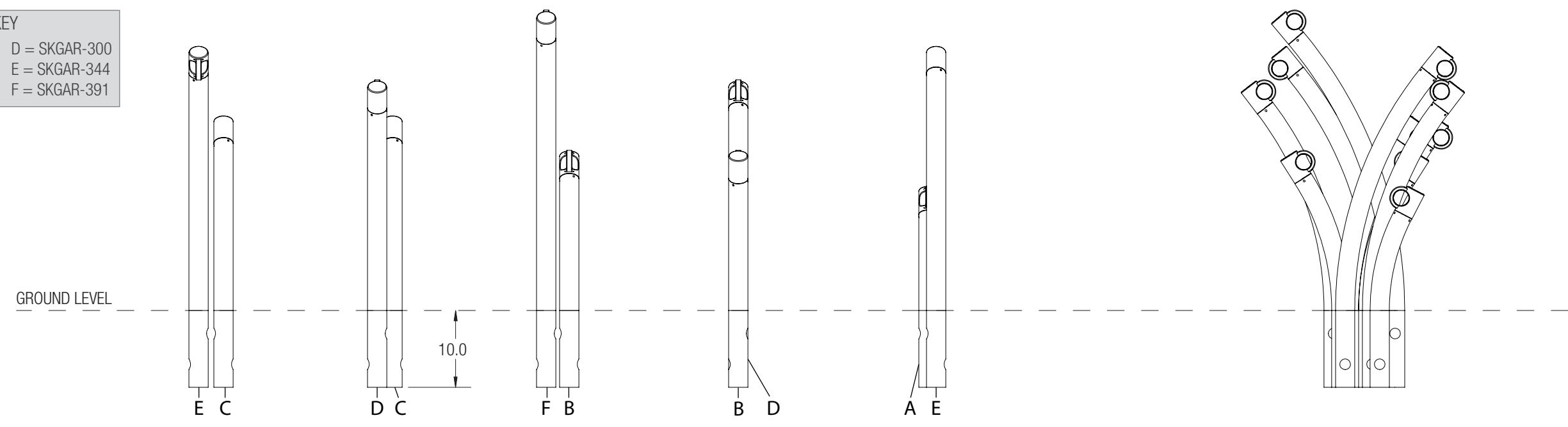


8 7 6 5 4 3 2 1

D
C
B
A



KEY	
A = SKGAR-162	D = SKGAR-300
B = SKGAR-208	E = SKGAR-344
C = SKGAR-254	F = SKGAR-391



CUSTOMER APPROVAL:

 X
 DATE:

 X

UNLESS OTHERWISE SPECIFIED, DIMENSIONS ARE IN INCHES		FORMS+SURFACES ® 30 Pine Street, Pittsburgh, PA 15223 Tel (800) 451-0410 Fax (412) 781-7840	
SPECIFIED: FRACTIONAL: ±1/32 ANGULAR/BEND: ±1° TWO PLACE DECIMAL ±.030 THREE PLACE DECIMAL ±.020		DATE	
MATERIAL: SEE DATA SHEET		6/21/2013	
FINISH: SEE DATA SHEET	DO NOT SCALE DRAWING		
WEIGHT: 119.8 LBS	PROPRIETARY AND CONFIDENTIAL		
SOURCE: MDW	THE INFORMATION CONTAINED IN THIS DRAWING IS THE SOLE PROPERTY OF FORMS + SURFACES. ANY REPRODUCTION IN PART OR AS A WHOLE WITHOUT WRITTEN PERMISSION IS PROHIBITED.		
SCALE: N.T.S.	SIZE	DWG. NO.	REV SHEET
	B	SKGAR-C-CIP-TD	0 1 OF 1

8 7 6 5 4 3 2 1