

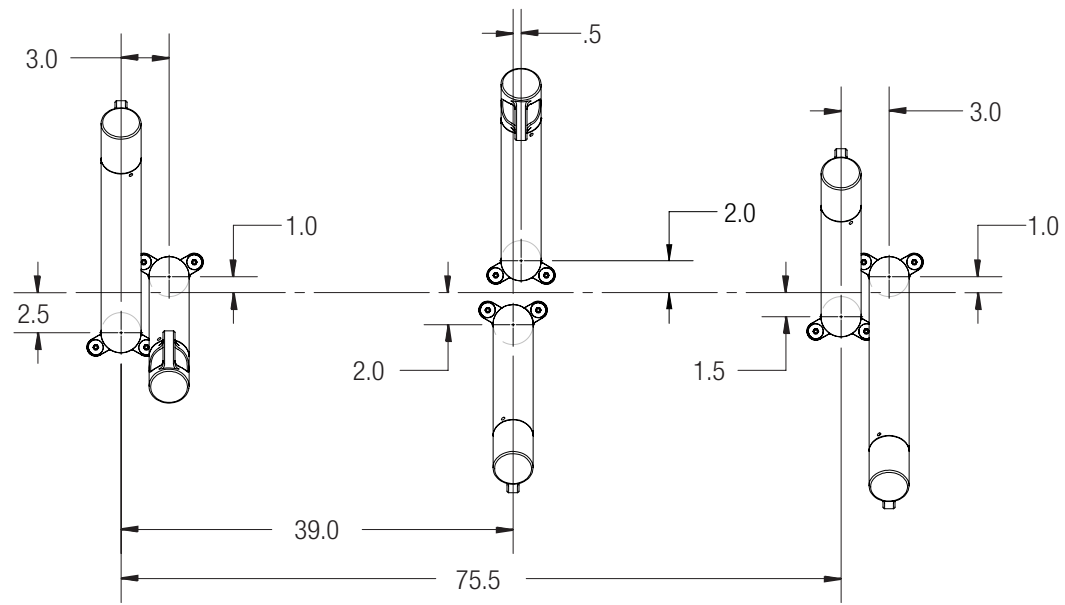
8 7 6 5 4 3 2 1

D

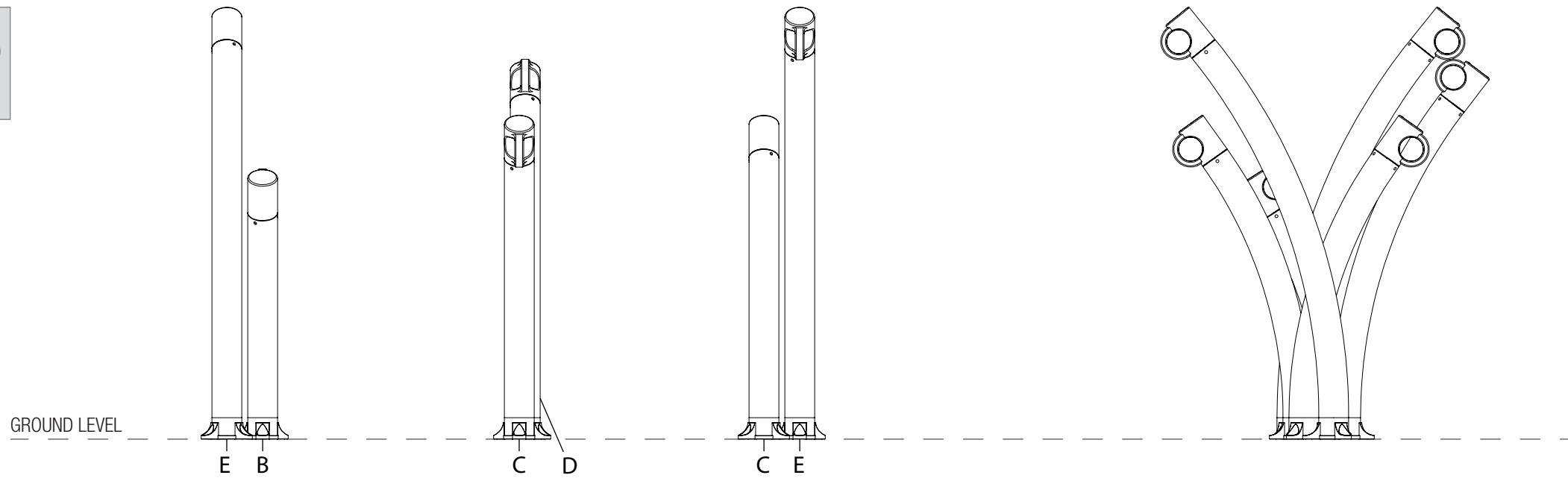
C

B

A



KEY	
A = SKGAR-162	D = SKGAR-300
B = SKGAR-208	E = SKGAR-344
C = SKGAR-254	F = SKGAR-391



CUSTOMER APPROVAL:

X _____

DATE:

X _____

UNLESS OTHERWISE SPECIFIED,
DIMENSIONS ARE IN INCHES

SPECIFIED:
FRACTIONAL: $\pm 1/32$
ANGULAR/BEND: $\pm 1^\circ$
TWO PLACE DECIMAL $\pm .030$
THREE PLACE DECIMAL $\pm .020$

MATERIAL: SEE DATA SHEET

FINISH: SEE DATA SHEET

WEIGHT: 76.3 LBS

SOURCE: MDW

FORMS+SURFACES® 30 Pine Street, Pittsburgh, PA 15223
Tel (800) 451-0410 Fax (412) 781-7840

DATE

6/21/2013

DO NOT SCALE DRAWING

PROPRIETARY AND CONFIDENTIAL
THE INFORMATION CONTAINED IN THIS
DRAWING IS THE SOLE PROPERTY OF
FORMS + SURFACES. ANY REPRODUCTION
IN PART OR AS A WHOLE WITHOUT
WRITTEN PERMISSION IS PROHIBITED.

BIKE GARDEN BIKE RACK
CONFIGURATION A
SURFACE MOUNT

SIZE	DWG. NO.	REV	SHEET
B	SKGAR-A-SM-TD	0	1 OF 1

8 7 6 5 4 3 2 1