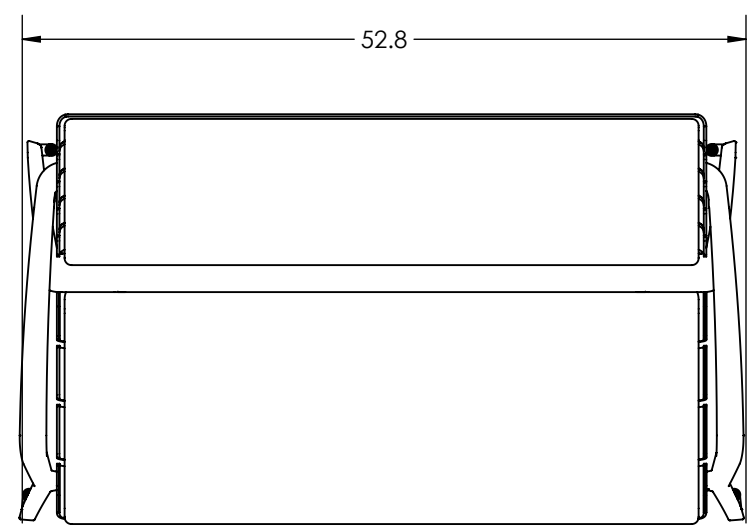
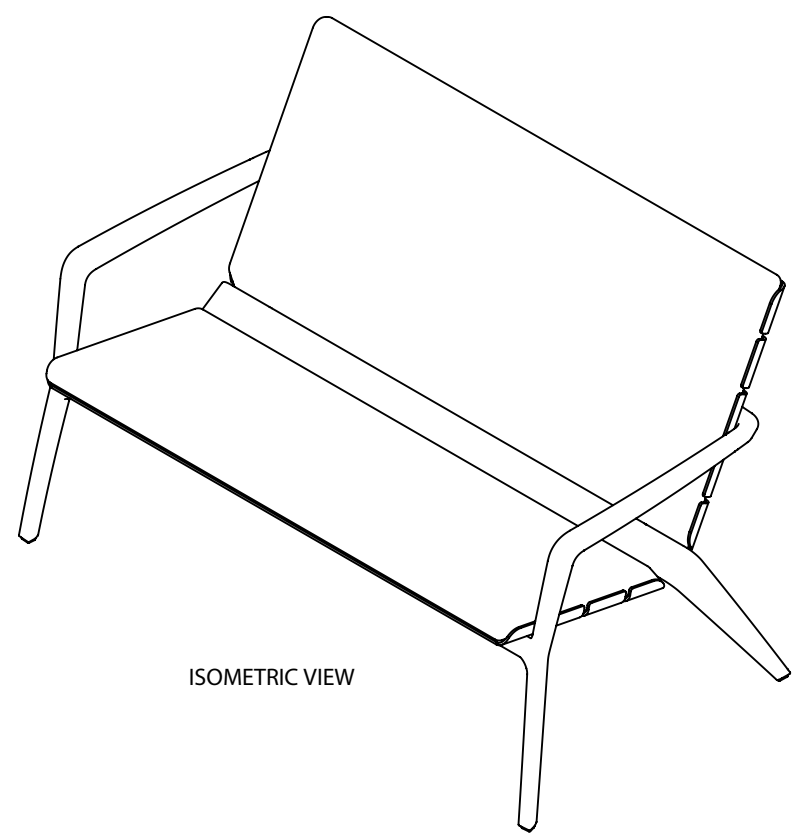


8 7 6 5 4 3 2 1

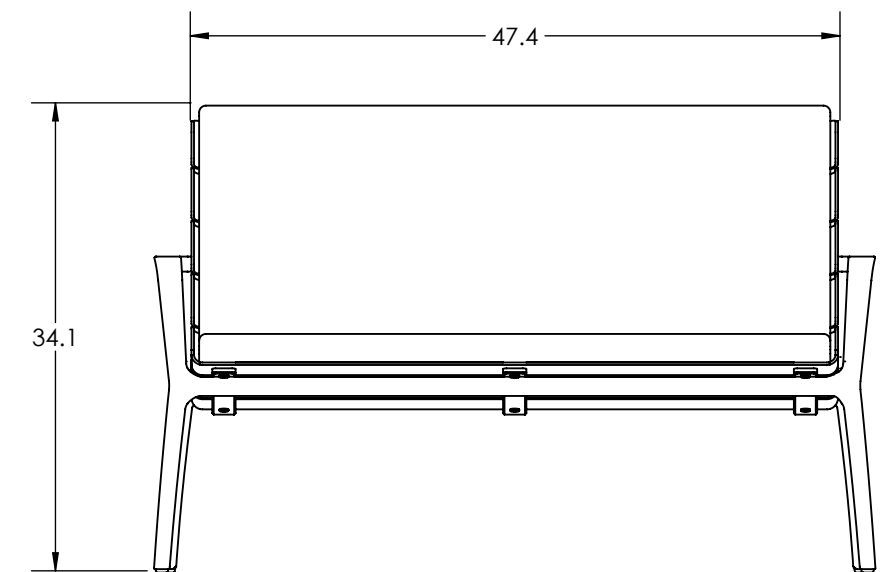
D
C
B
A



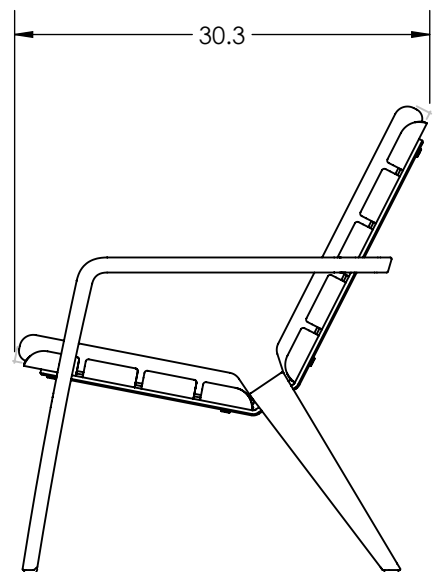
TOP VIEW



ISOMETRIC VIEW



FRONT VIEW



SIDE VIEW

CUSTOMER APPROVAL:

X _____

DATE:

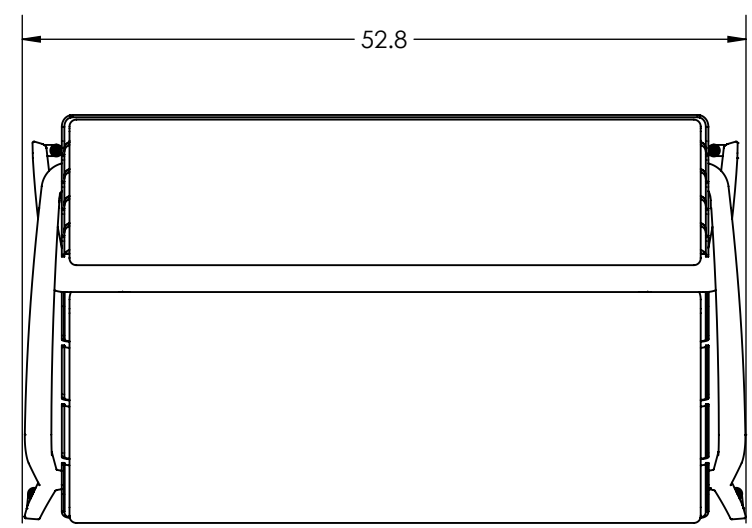
X _____

UNLESS OTHERWISE SPECIFIED: 1. PRIMARY DIM. ARE IN INCHES & SECONDARY [DIM] IN MM 2. TOLERANCES FRACTIONAL: ±1/32; ANGULAR/BEND: ±1° TWO PLACE DECIMAL ±.030 THREE PLACE DECIMAL ±.020 3. REMOVE ALL BURRS AND SHARP EDGES		FORMS+SURFACES 30 Pine Street, Pittsburgh, PA 15223 Tel (412) 781-9003 Fax (412) 781-7840	
THIRD ANGLE PROJECTION		NAME	DATE
MATERIAL: SEE DATA SHEET		DWN	RTS 04/15/20
FINISH: SEE DATA SHEET		CHK	
WEIGHT: SEE DATA SHEET		DESCRIPTION: VAYA TEXTILE BENCH FREESTANDING SBVYA-T-FRS	
SCALE: NOT TO SCALE		PROPRIETARY AND CONFIDENTIAL THE INFORMATION CONTAINED IN THIS DRAWING IS THE SOLE PROPERTY OF FORMS + SURFACES. ANY REPRODUCTION IN PART OR AS A WHOLE WITHOUT WRITTEN PERMISSION IS PROHIBITED.	SIZE B
		DWG. NO. SBVYA-T-FRS-CS	REV 0
			SHEET 1 OF 1

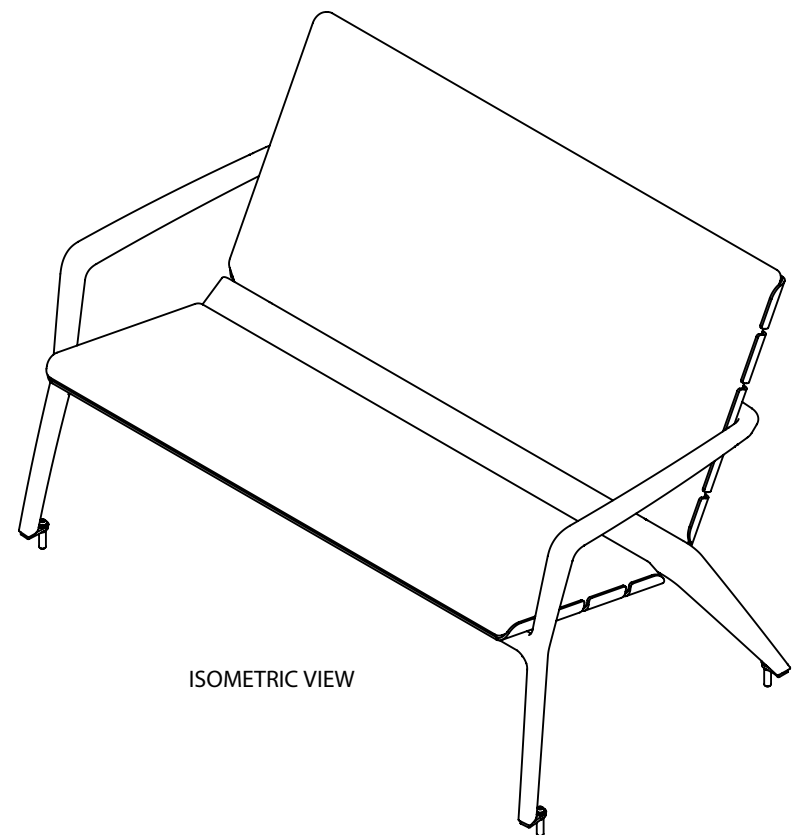
8 7 6 5 4 3 2 1

8 7 6 5 4 3 2 1

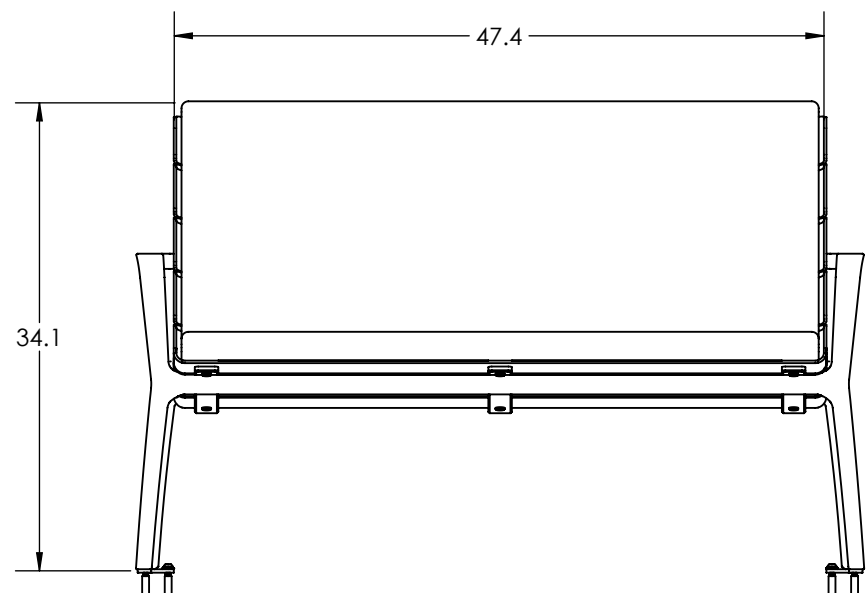
D
C
B
A



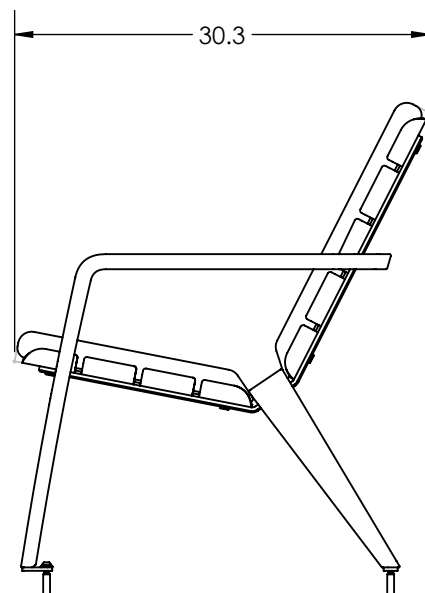
TOP VIEW



ISOMETRIC VIEW



FRONT VIEW




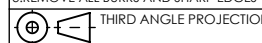
SIDE VIEW

CUSTOMER APPROVAL:

X _____

DATE:

X _____

UNLESS OTHERWISE SPECIFIED: 1. PRIMARY DIM. ARE IN INCHES & SECONDARY [DIM] IN MM 2. TOLERANCES FRACTIONAL: ±1/32; ANGULAR/BEND: ±1° TWO PLACE DECIMAL ±.030 THREE PLACE DECIMAL ±.020 3. REMOVE ALL BURRS AND SHARP EDGES		 30 Pine Street, Pittsburgh, PA 15223 Tel (412) 781-9003 Fax (412) 781-7840		DESCRIPTION:	
 THIRD ANGLE PROJECTION MATERIAL: SEE DATA SHEET FINISH: SEE DATA SHEET WEIGHT: SEE DATA SHEET SCALE: NOT TO SCALE				NAME DATE DWN RTS 04/15/20 CHK	
THE INFORMATION CONTAINED IN THIS DRAWING IS THE SOLE PROPERTY OF FORMS + SURFACES. ANY REPRODUCTION IN PART OR AS A WHOLE WITHOUT WRITTEN PERMISSION IS PROHIBITED.		SIZE	DWG. NO.	REV	SHEET
		B	SBVYA-T-SFM-CS	0	1 OF 1

8 7 6 5 4 3 2 1

D
C
B
A