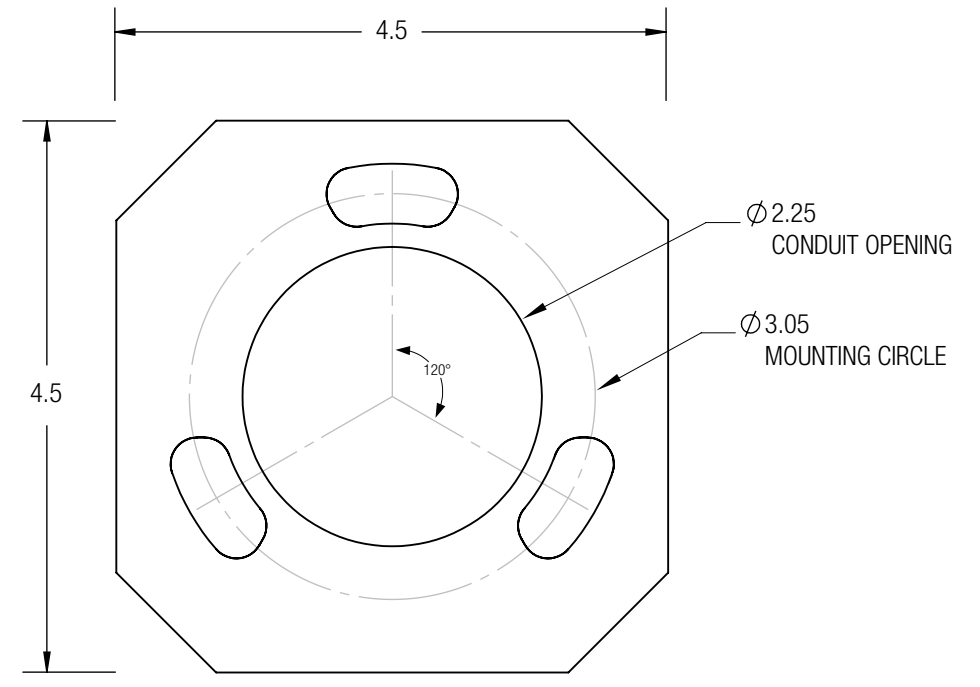
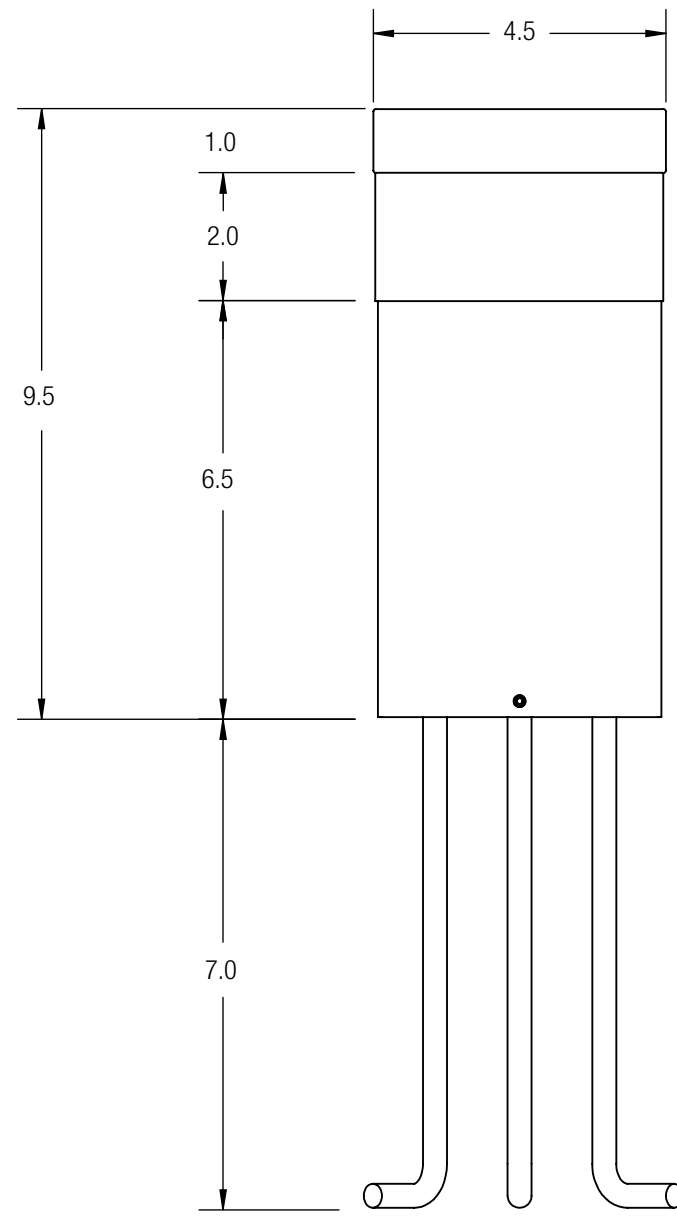


8 7 6 5 4 3 2 1

D
C
B
A



BASE PLATE

CUSTOMER APPROVAL:

X _____

DATE:

X _____

UNLESS OTHERWISE SPECIFIED, DIMENSIONS ARE IN INCHES		FORMS+SURFACES ® 30 Pine Street, Pittsburgh, PA 15223 Tel (412) 781-9003 Fax (412) 781-7840	
TOLERANCES (UNLESS OTHERWISE SPECIFIED):		RINCON PATHWAY BOLLARD	
FRACTIONAL: ±1/32	NAME	DATE	LBRNP-LED
ANGULAR/BEND: ±1°	DWN	MAH	5/27/2015
TWO PLACE DECIMAL ±.030	MATERIAL: SEE DATA SHEET		
THREE PLACE DECIMAL ±.020	FINISH: SEE DATA SHEET		
WEIGHT: 9.7 LBS.		DO NOT SCALE DRAWING	
SOURCE: M		PROPRIETARY AND CONFIDENTIAL	
SCALE: N.T.S.		THE INFORMATION CONTAINED IN THIS DRAWING IS THE SOLE PROPERTY OF FORMS + SURFACES. ANY REPRODUCTION IN PART OR AS A WHOLE WITHOUT WRITTEN PERMISSION IS PROHIBITED.	
SIZE	DWG. NO.	REV	SHEET
B	LBRNP-LED	0.0	1 OF 1

8 7 6 5 4 3 2 1

PRINTED: 6/10/2015