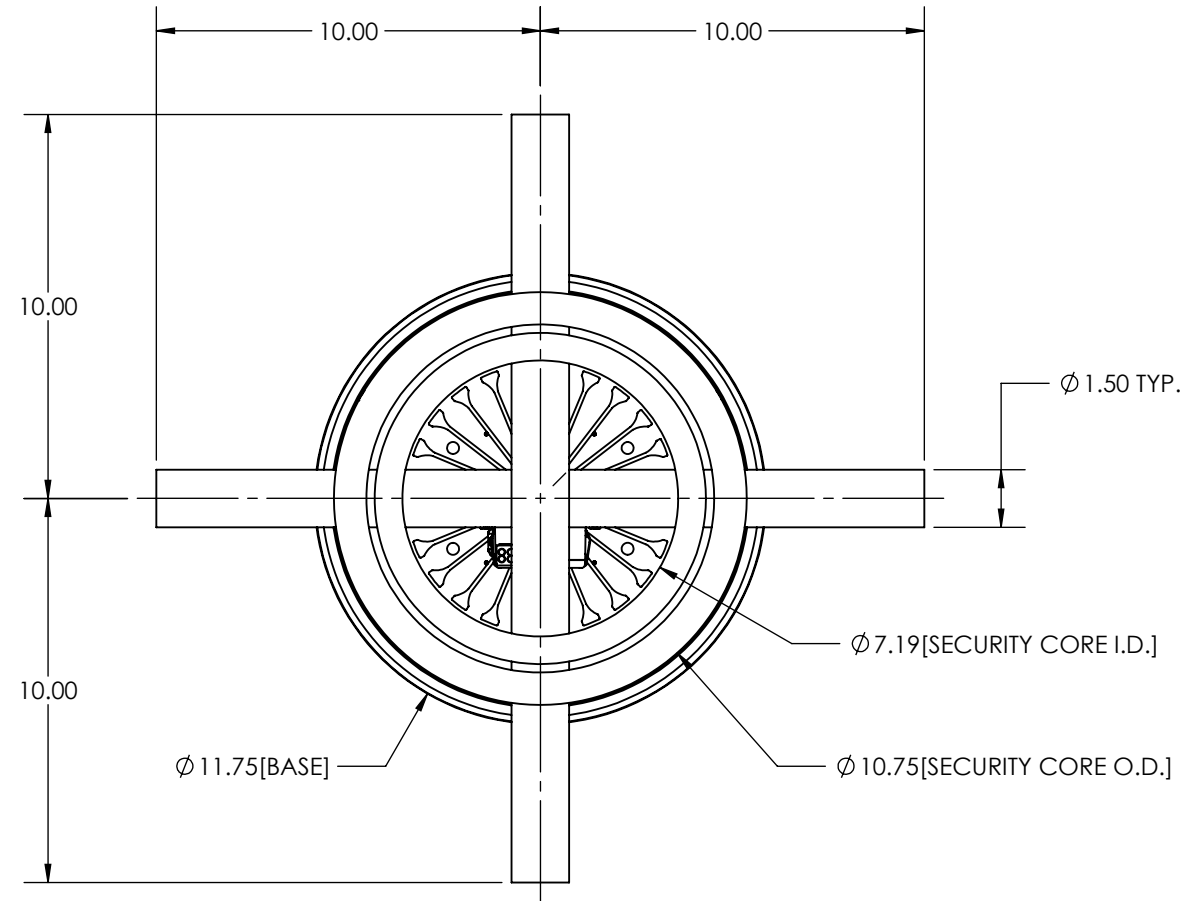


FRONT VIEW



BOTTOM VIEW

CUSTOMER APPROVAL:

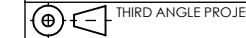
X _____

DATE:

X _____

UNLESS OTHERWISE SPECIFIED:

- 1. PRIMARY DIM. ARE IN INCHES & SECONDARY [DIM] IN MM
- 2. TOLERANCES
 FRACTIONAL: $\pm 1/32$; ANGULAR/BEND: $\pm 1^\circ$
 TWO PLACE DECIMAL $\pm .030$
 THREE PLACE DECIMAL $\pm .020$
- 3. REMOVE ALL BURRS AND SHARP EDGES



MATERIAL: SEE DATA SHEET

FINISH: SEE DATA SHEET

WEIGHT: SEE DATA SHEET

SCALE: NOT TO SCALE



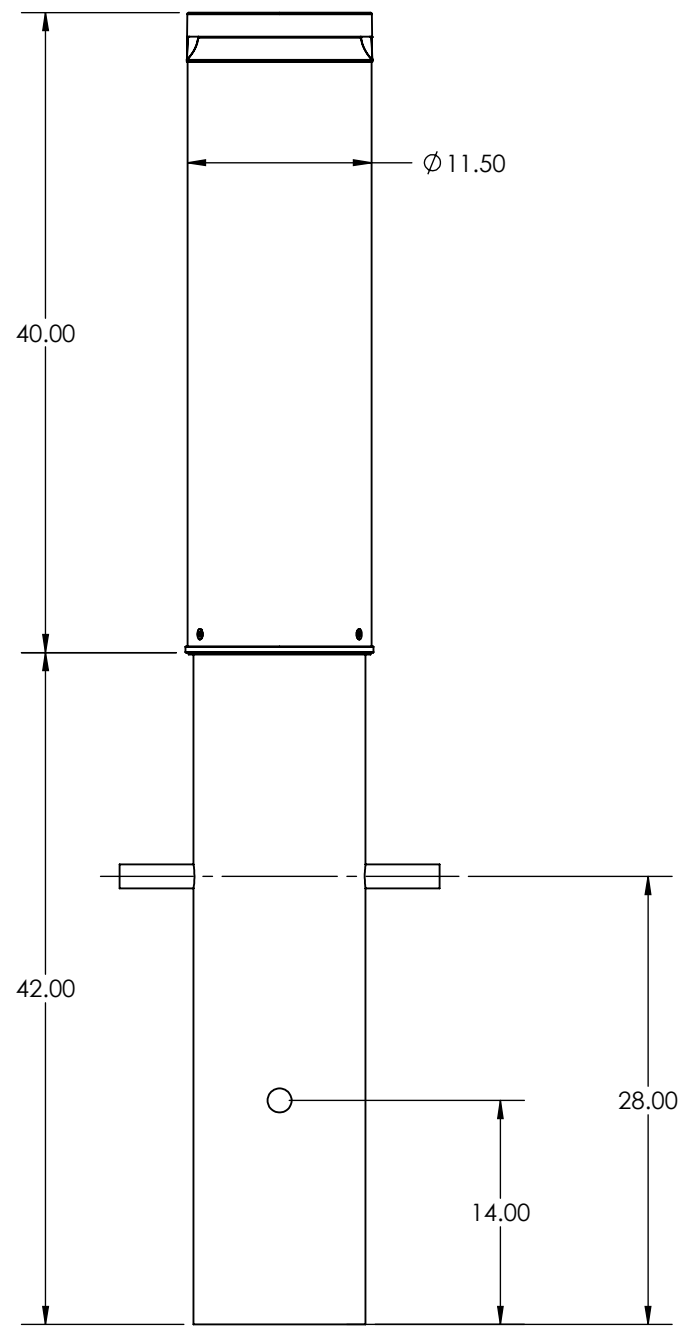
30 Pine Street, Pittsburgh, PA 15223
 Tel (412) 781-9003 Fax (412) 781-7840

NAME	DATE
DWN	7/31/20
CHK	

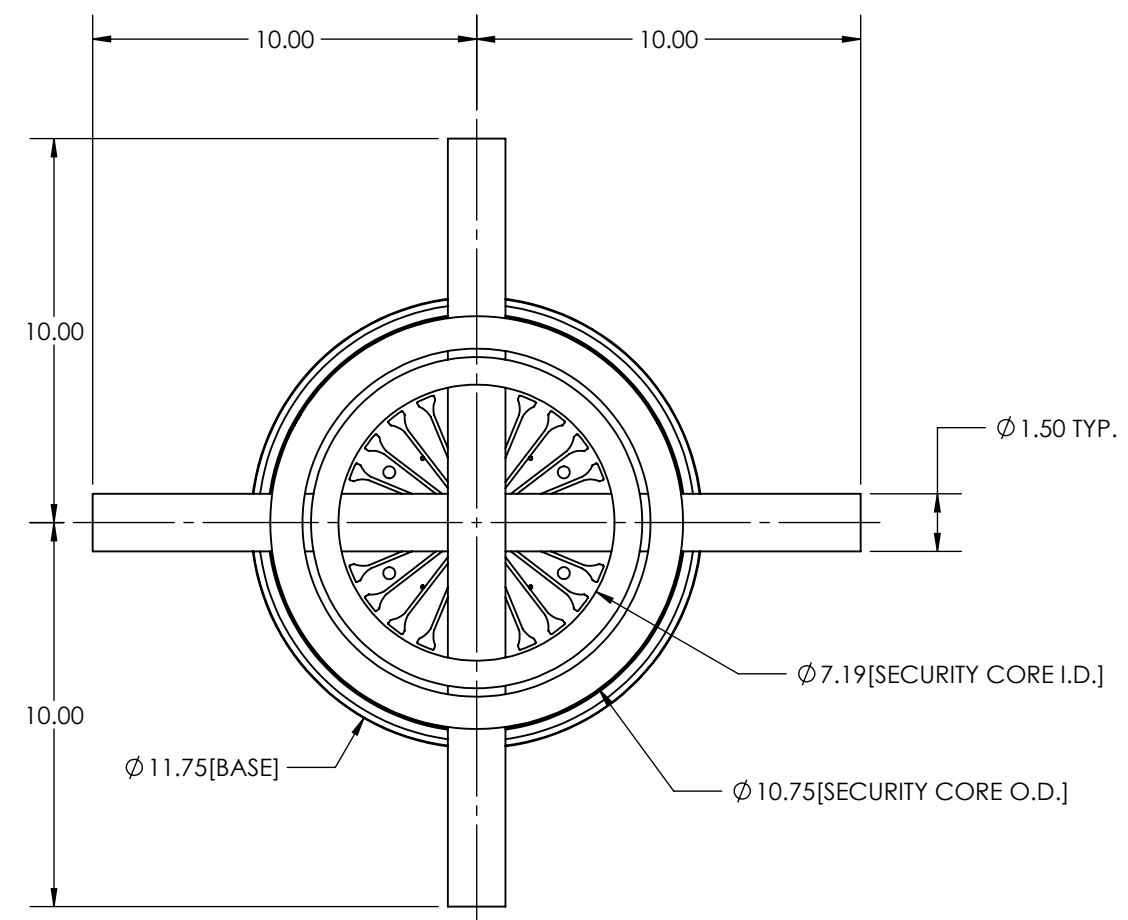
DESCRIPTION:
HELIO M50-P1/K12 SECURITY BOLLARD
SERIES 1200,360°
LBHLO-1203,360,M50

PROPRIETARY AND CONFIDENTIAL
 THE INFORMATION CONTAINED IN THIS DRAWING IS THE SOLE PROPERTY OF FORMS + SURFACES. ANY REPRODUCTION IN PART OR AS A WHOLE WITHOUT WRITTEN PERMISSION IS PROHIBITED.

SIZE	DWG. NO.	REV	SHEET
B	LBHLO-1203-360-M50-CS	0	1 OF 1



FRONT VIEW



BOTTOM VIEW

CUSTOMER APPROVAL:

X _____

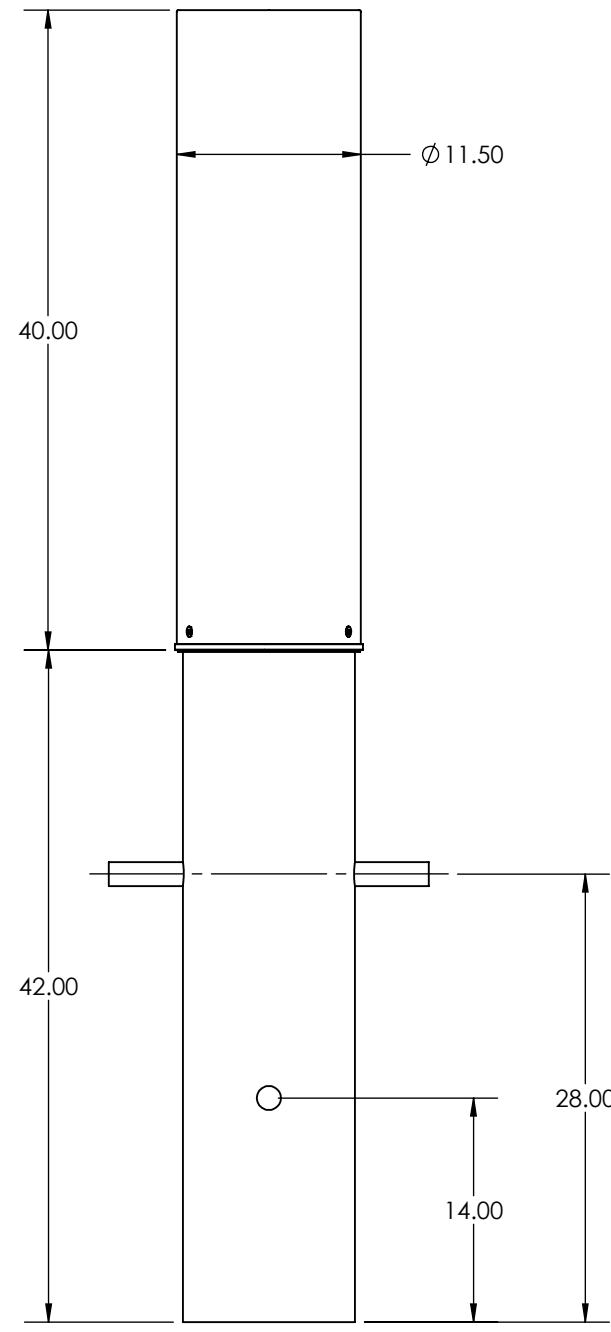
DATE:

X _____

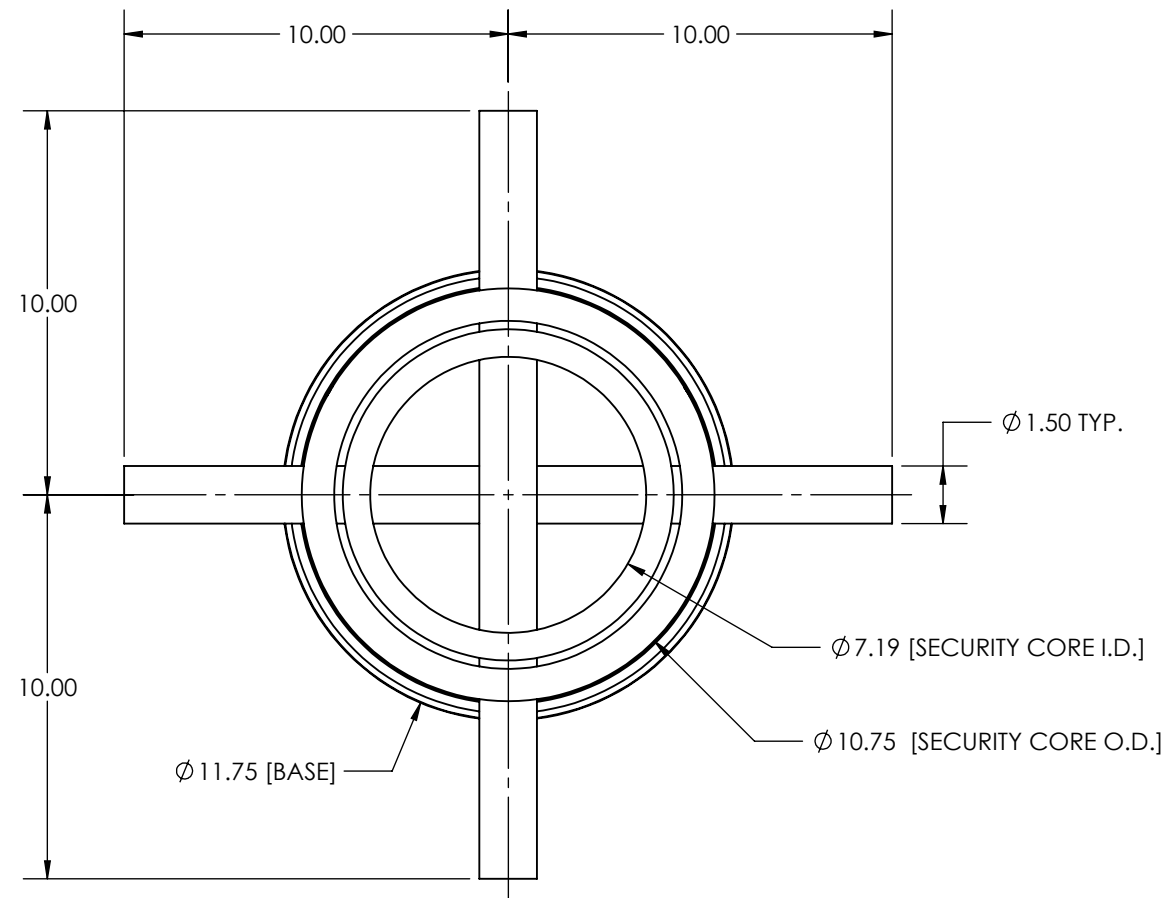
UNLESS OTHERWISE SPECIFIED: 1. PRIMARY DIM. ARE IN INCHES & SECONDARY [DIM] IN MM 2. TOLERANCES FRACTIONAL: ±1/32; ANGULAR/BEND: ±1° TWO PLACE DECIMAL ±.030 THREE PLACE DECIMAL ±.020 3. REMOVE ALL BURRS AND SHARP EDGES THIRD ANGLE PROJECTION				30 Pine Street, Pittsburgh, PA 15223 Tel (412) 781-9003 Fax (412) 781-7840	
MATERIAL: SEE DATA SHEET FINISH: SEE DATA SHEET WEIGHT: SEE DATA SHEET SCALE: NOT TO SCALE		NAME: DWN DATE: 7/31/20 CHK:		DESCRIPTION: HELIO M50-P1/K12 SECURITY BOLLARD SERIES 1200,180° LBHLO-1203,180,M50	
PROPRIETARY AND CONFIDENTIAL THE INFORMATION CONTAINED IN THIS DRAWING IS THE SOLE PROPERTY OF FORMS + SURFACES. ANY REPRODUCTION IN PART OR AS A WHOLE WITHOUT WRITTEN PERMISSION IS PROHIBITED.		SIZE: B	DWG. NO.: LBHLO-1203-180-M50-CS	REV: 0	SHEET: 1 OF 1

8 7 6 5 4 3 2 1

D
C
B
A



FRONT VIEW



BOTTOM VIEW

CUSTOMER APPROVAL:

X _____

DATE:

X _____

UNLESS OTHERWISE SPECIFIED: 1. PRIMARY DIM. ARE IN INCHES & SECONDARY [DIM] IN MM 2. TOLERANCES FRACTIONAL: ±1/32; ANGULAR/BEND: ±1° TWO PLACE DECIMAL ±.030 THREE PLACE DECIMAL ±.020 3. REMOVE ALL BURRS AND SHARP EDGES THIRD ANGLE PROJECTION		FORMS+SURFACES 30 Pine Street, Pittsburgh, PA 15223 Tel (412) 781-9003 Fax (412) 781-7840		
NAME	DATE	DESCRIPTION: HELIO M50-P1/K12 SECURITY BOLLARD SERIES 1200, NON-LIT LBHLO-1203,NLIT,POLE,M50		
DWN	STF			
CHK	8/27/20			
MATERIAL: SEE DATA SHEET	DO NOT SCALE DRAWING		SIZE	
FINISH: SEE DATA SHEET	PROPRIETARY AND CONFIDENTIAL THE INFORMATION CONTAINED IN THIS DRAWING IS THE SOLE PROPERTY OF FORMS + SURFACES. ANY REPRODUCTION IN PART OR AS A WHOLE WITHOUT WRITTEN PERMISSION IS PROHIBITED.		DWG. NO.	
WEIGHT: SEE DATA SHEET			REV	
SCALE: NOT TO SCALE			SHEET	
	B	LBHLO-1203-NLIT-M50-CS	0	1 OF 1

8 7 6 5 4 3 2 1