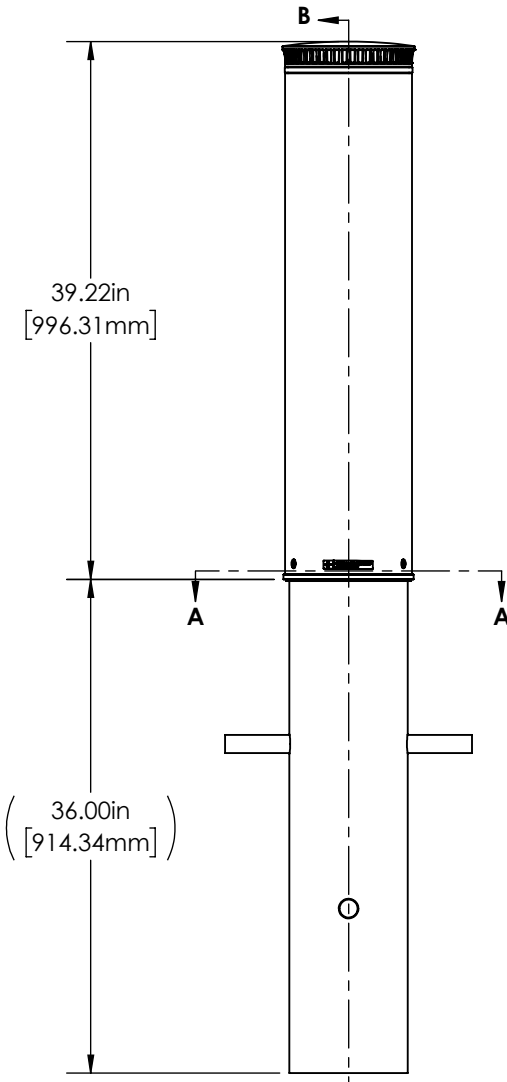
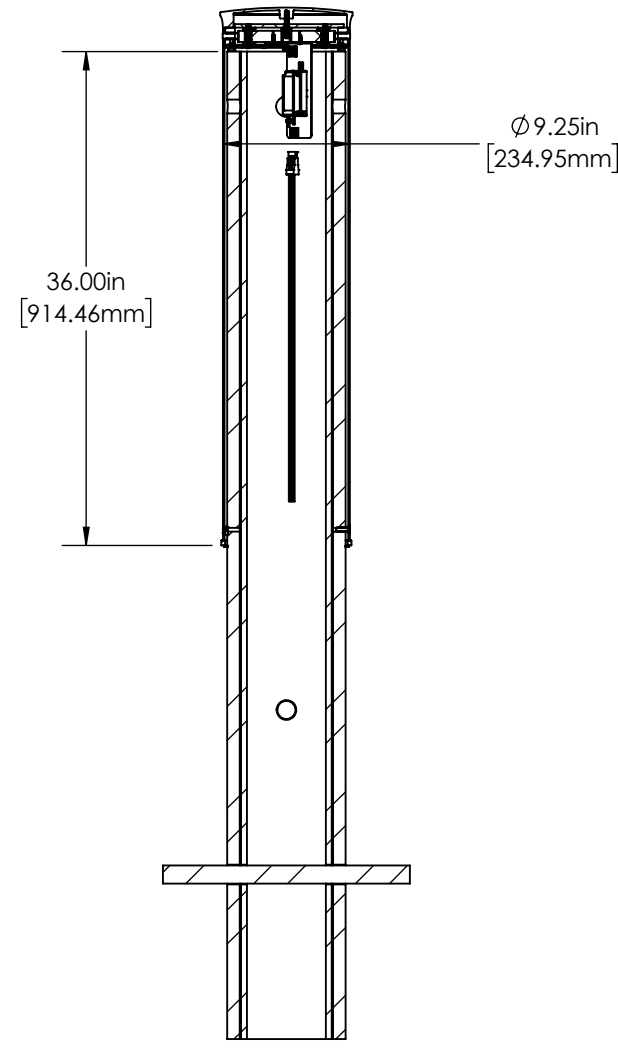


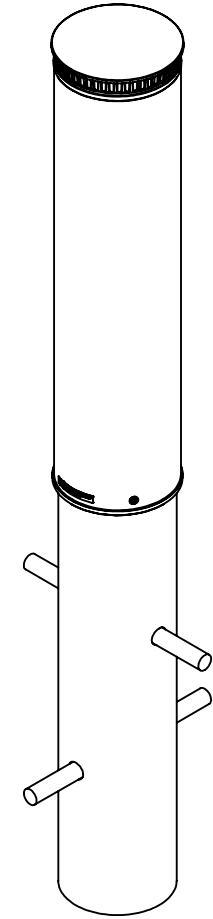
TOP VIEW



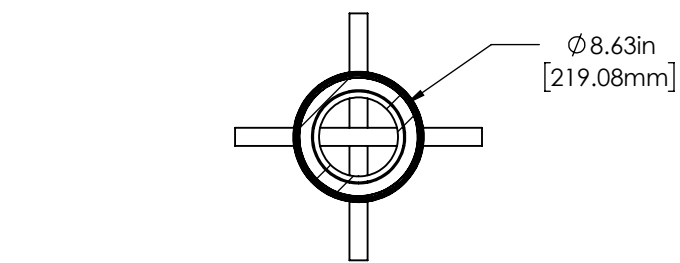
FRONT VIEW



SECTION B-B

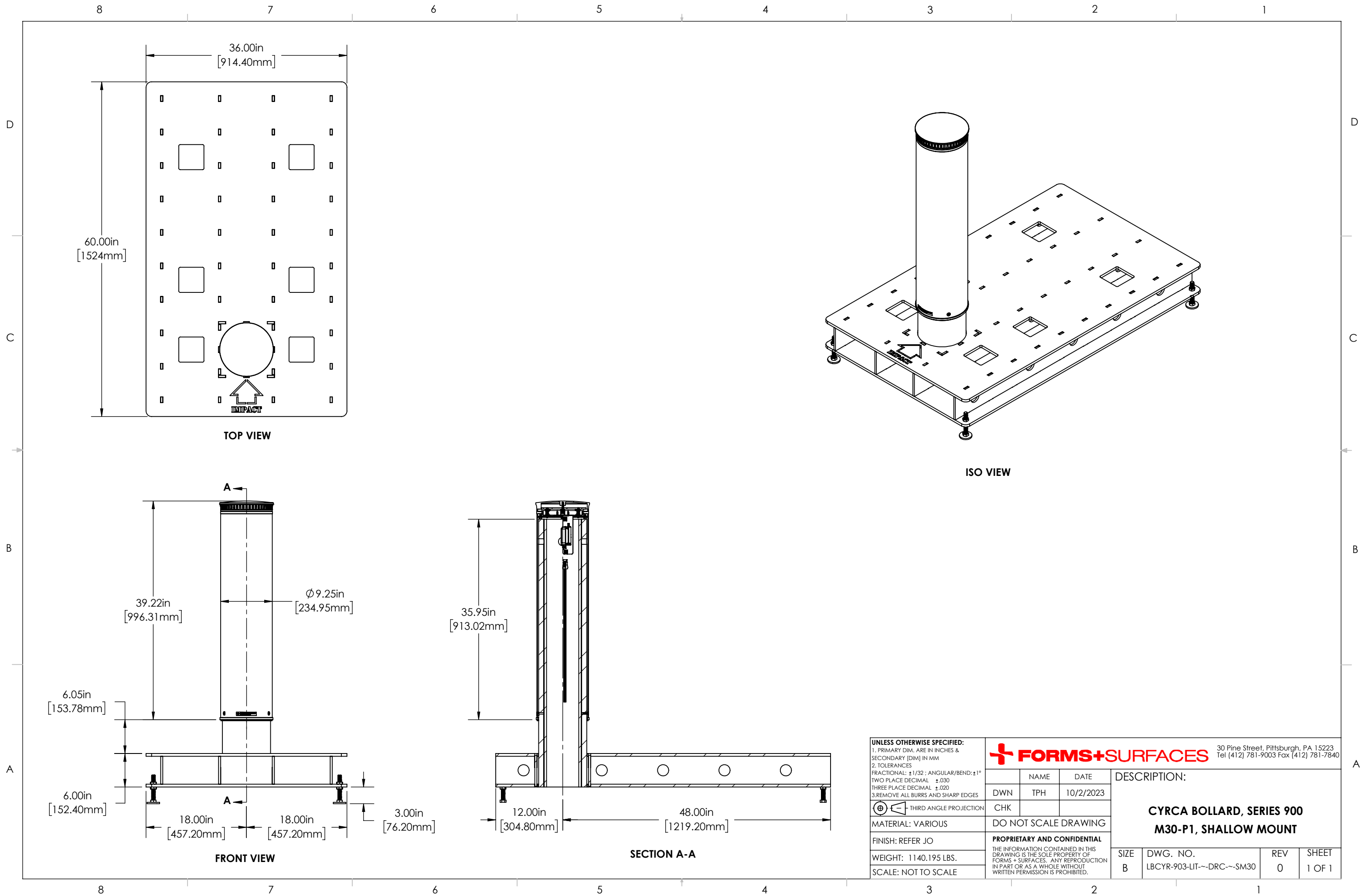


ISO VIEW

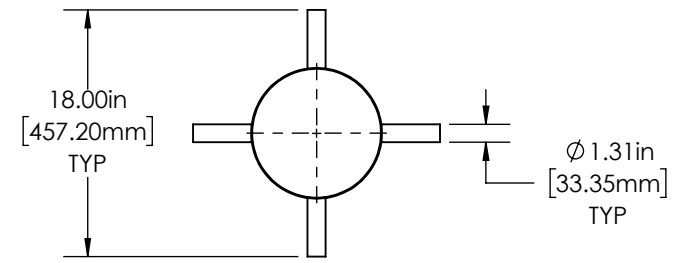


SECTION A-A

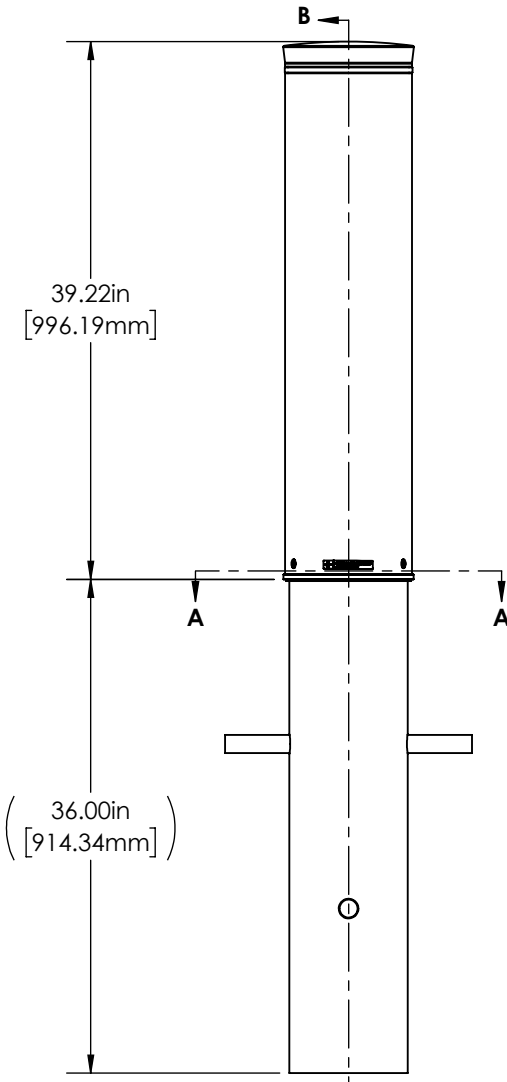
UNLESS OTHERWISE SPECIFIED: 1. PRIMARY DIM. ARE IN INCHES & SECONDARY [DIM] IN MM 2. TOLERANCES FRACTIONAL: ±1/32; ANGULAR/BEND: ±1° TWO PLACE DECIMAL ±.030 THREE PLACE DECIMAL ±.020 3. REMOVE ALL BURRS AND SHARP EDGES				30 Pine Street, Pittsburgh, PA 15223 Tel (412) 781-9003 Fax (412) 781-7840	
THIRD ANGLE PROJECTION		NAME DWN TPH	DATE 10/2/2023	DESCRIPTION: CYRCA BOLLARD, SERIES 900 M30/K4 SECURITY CORE	
MATERIAL: VARIOUS		DO NOT SCALE DRAWING		SIZE B	
FINISH: REFER JO		PROPRIETARY AND CONFIDENTIAL THE INFORMATION CONTAINED IN THIS DRAWING IS THE SOLE PROPERTY OF FORMS + SURFACES. ANY REPRODUCTION IN PART OR AS A WHOLE WITHOUT WRITTEN PERMISSION IS PROHIBITED.		DWG. NO. LBCYR-903-LIT--DRC--M30	REV 0
WEIGHT: 672.179 LBS. SCALE: NOT TO SCALE		SHEET 1 OF 1			



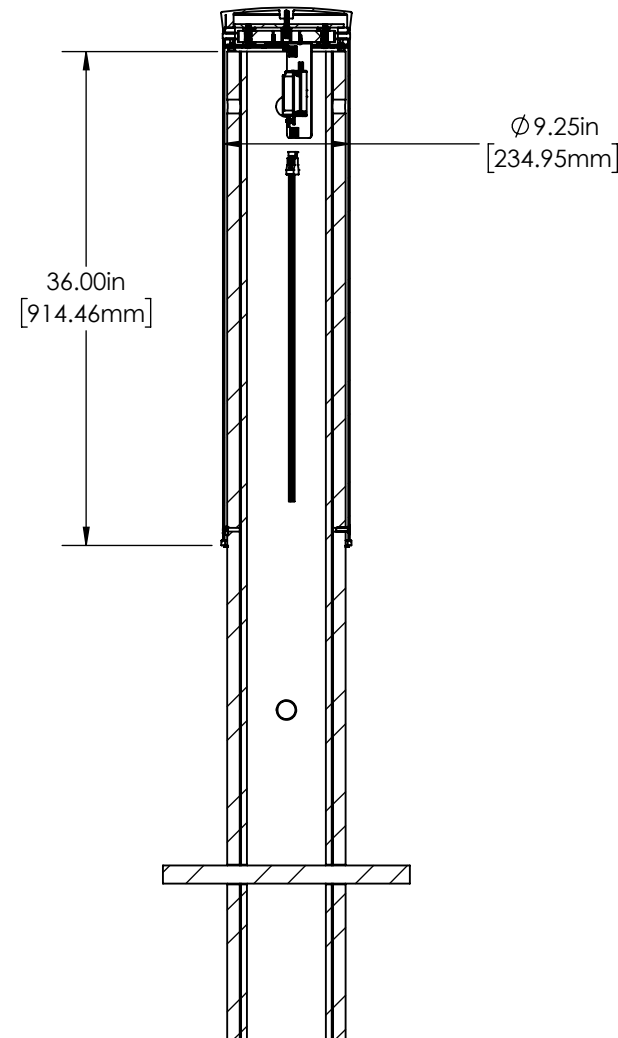
UNLESS OTHERWISE SPECIFIED: 1. PRIMARY DIM. ARE IN INCHES & SECONDARY [DIM] IN MM 2. TOLERANCES FRACTIONAL: ±1/32; ANGULAR/BEND: ±1° TWO PLACE DECIMAL ±.030 THREE PLACE DECIMAL ±.020 3. REMOVE ALL BURRS AND SHARP EDGES		FORMS+SURFACES 30 Pine Street, Pittsburgh, PA 15223 Tel (412) 781-9003 Fax (412) 781-7840	
THIRD ANGLE PROJECTION	NAME DWN TPH	DATE 10/2/2023	DESCRIPTION: CYRCA BOLLARD, SERIES 900 M30-P1, SHALLOW MOUNT
MATERIAL: VARIOUS FINISH: REFER JO WEIGHT: 1140.195 LBS. SCALE: NOT TO SCALE	DO NOT SCALE DRAWING PROPRIETARY AND CONFIDENTIAL THE INFORMATION CONTAINED IN THIS DRAWING IS THE SOLE PROPERTY OF FORMS + SURFACES. ANY REPRODUCTION IN PART OR AS A WHOLE WITHOUT WRITTEN PERMISSION IS PROHIBITED.		SIZE B
	DWG. NO. LBCYR-903-LIT--DRC--SM30	REV 0	SHEET 1 OF 1



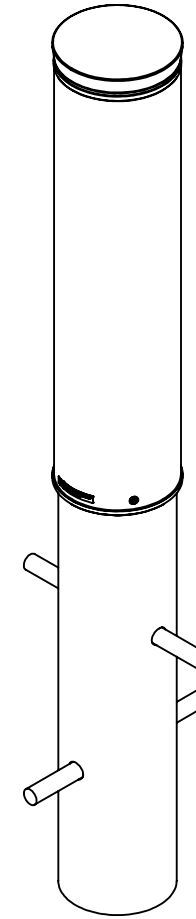
TOP VIEW



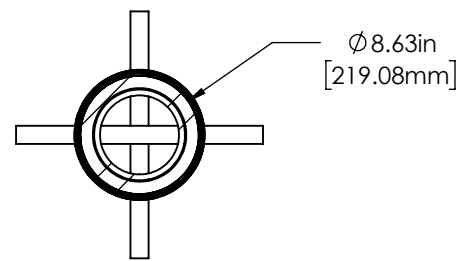
FRONT VIEW



SECTION B-B

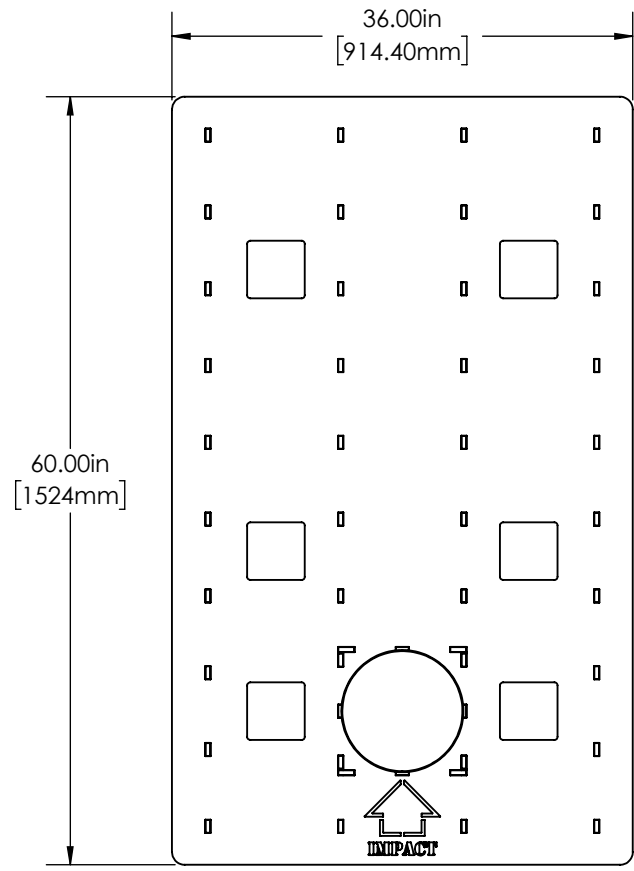
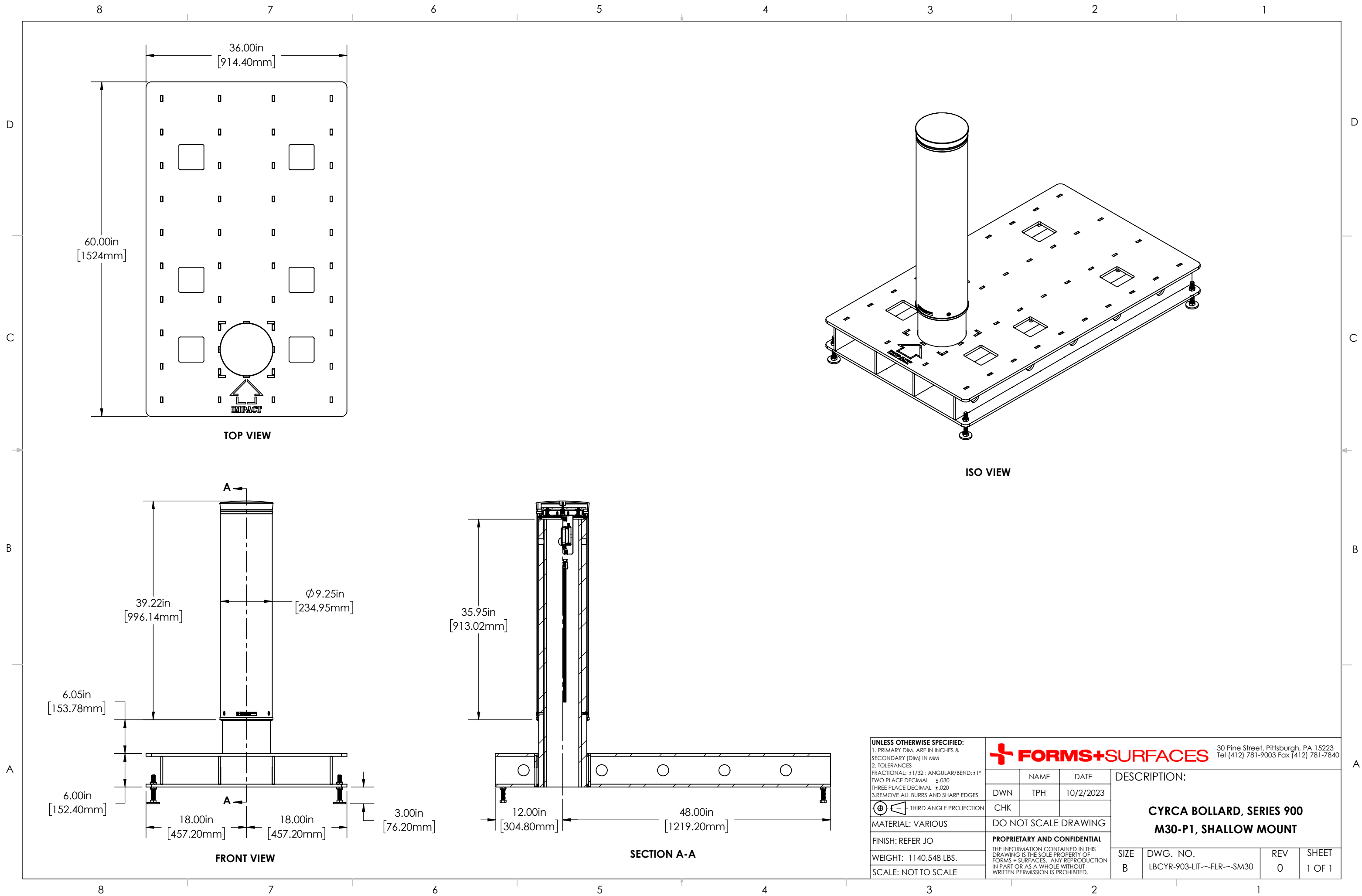


ISO VIEW

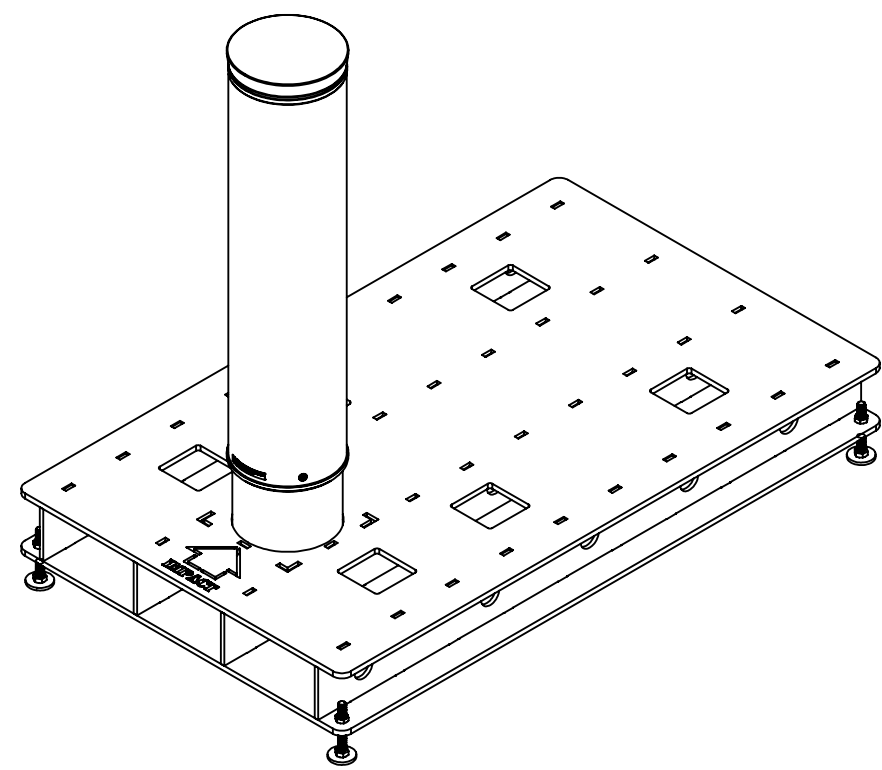


SECTION A-A

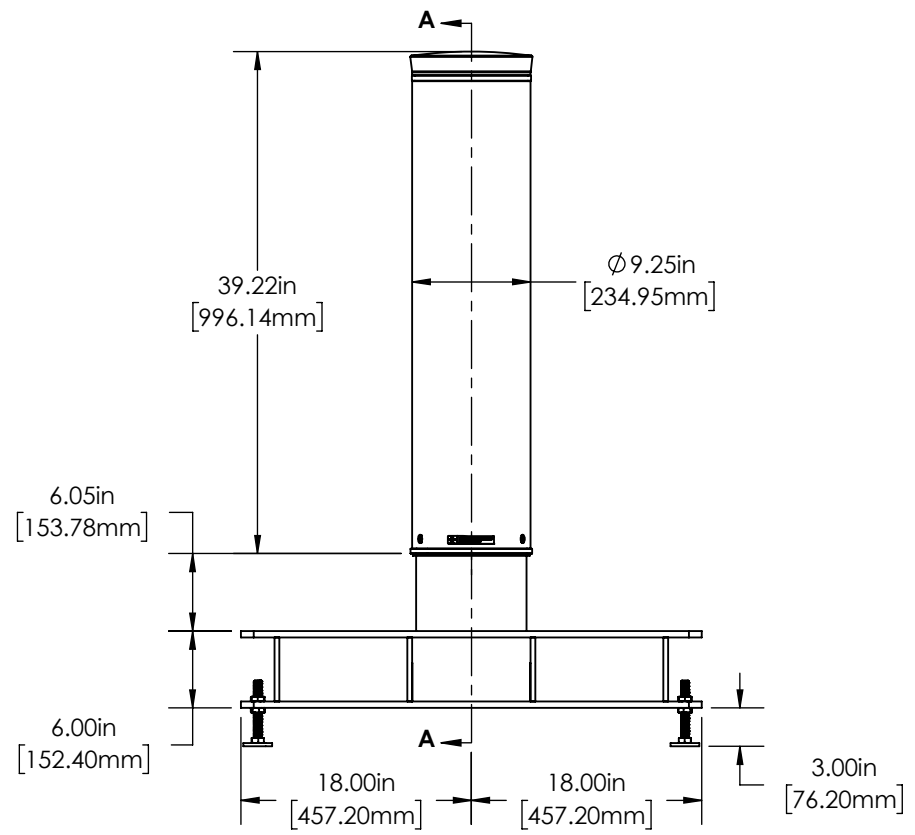
UNLESS OTHERWISE SPECIFIED: 1. PRIMARY DIM. ARE IN INCHES & SECONDARY [DIM] IN MM 2. TOLERANCES FRACTIONAL: ±1/32; ANGULAR/BEND: ±1° TWO PLACE DECIMAL ±.030 THREE PLACE DECIMAL ±.020 3. REMOVE ALL BURRS AND SHARP EDGES		30 Pine Street, Pittsburgh, PA 15223 Tel (412) 781-9003 Fax (412) 781-7840		
THIRD ANGLE PROJECTION	NAME DWN TPH	DATE 10/2/2023	DESCRIPTION: CYRCA BOLLARD, SERIES 900 M30/K4 SECURITY CORE	
MATERIAL: VARIOUS	DO NOT SCALE DRAWING			
FINISH: REFER JO	PROPRIETARY AND CONFIDENTIAL THE INFORMATION CONTAINED IN THIS DRAWING IS THE SOLE PROPERTY OF FORMS + SURFACES. ANY REPRODUCTION IN PART OR AS A WHOLE WITHOUT WRITTEN PERMISSION IS PROHIBITED.			
WEIGHT: 672.532 LBS.	SIZE B	DWG. NO. LBCYR-903-LIT--FLR--M30	REV 0	SHEET 1 OF 1
SCALE: NOT TO SCALE				



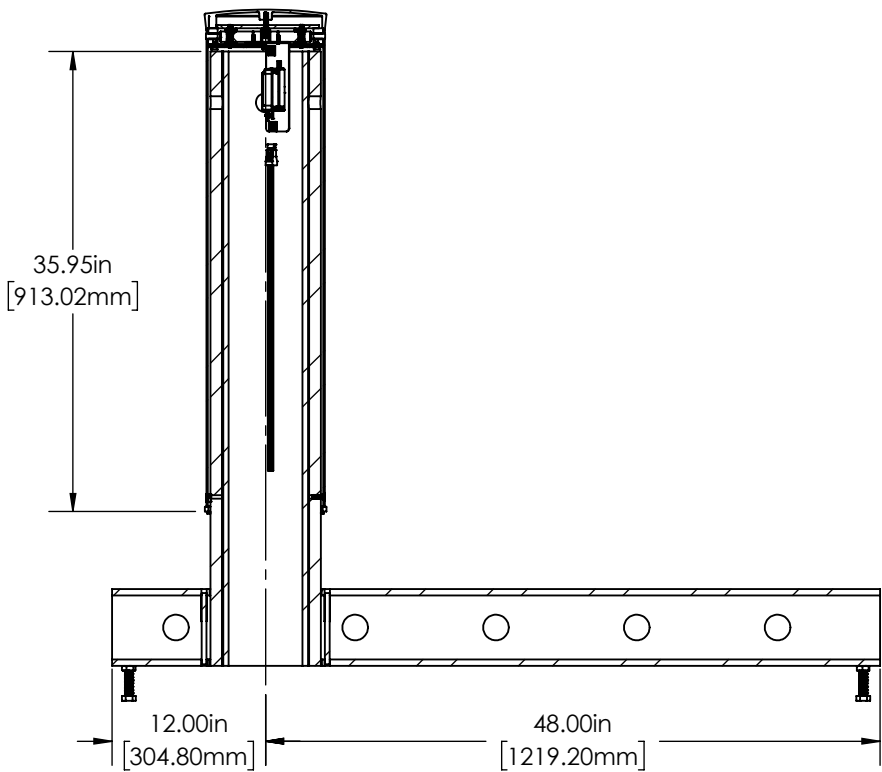
TOP VIEW



ISO VIEW

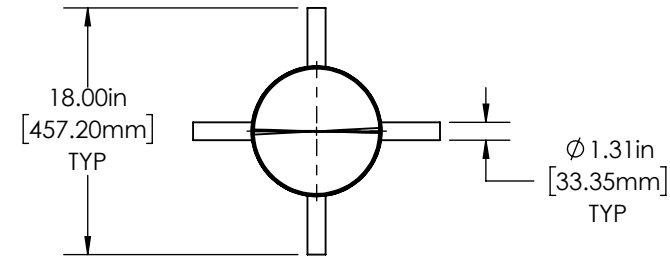


FRONT VIEW

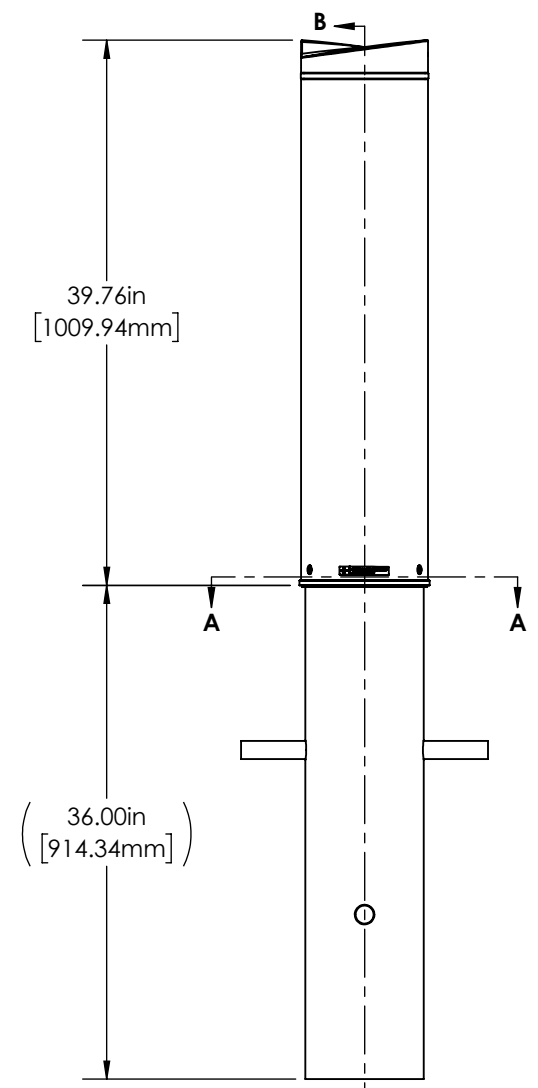


SECTION A-A

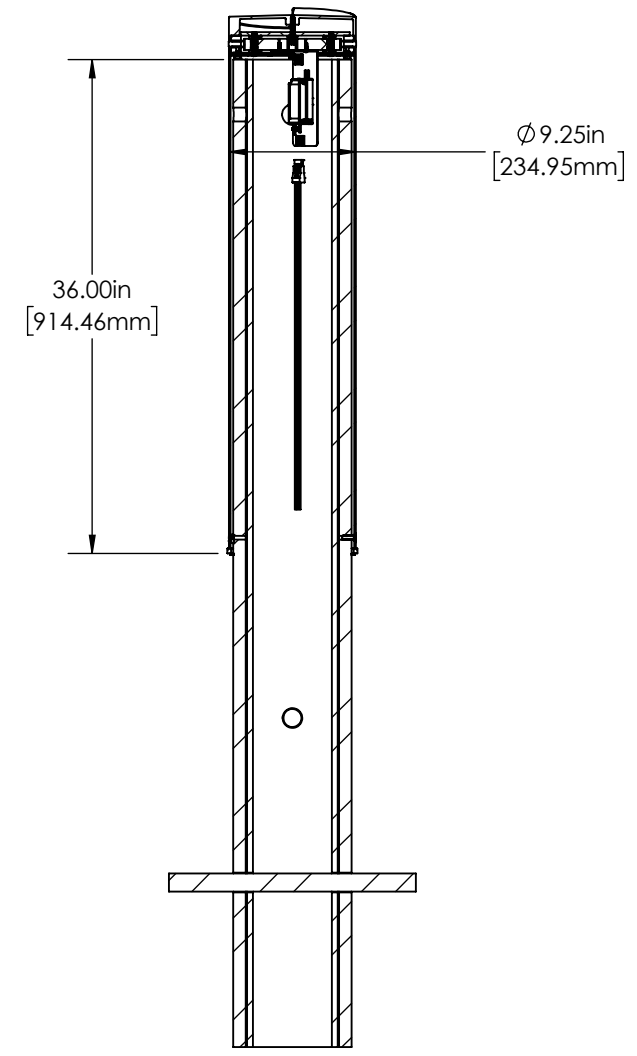
<p>UNLESS OTHERWISE SPECIFIED: 1. PRIMARY DIM. ARE IN INCHES & SECONDARY [DIM] IN MM 2. TOLERANCES FRACTIONAL: ±1/32; ANGULAR/BEND: ±1° TWO PLACE DECIMAL ±.030 THREE PLACE DECIMAL ±.020 3. REMOVE ALL BURRS AND SHARP EDGES</p>		<p>FORMS+SURFACES 30 Pine Street, Pittsburgh, PA 15223 Tel (412) 781-9003 Fax (412) 781-7840</p>	
<p>THIRD ANGLE PROJECTION</p>	<p>NAME</p>	<p>DATE</p>	<p>DESCRIPTION:</p>
<p>MATERIAL: VARIOUS</p>	<p>DWN</p>	<p>TPH</p>	<p>10/2/2023</p>
<p>FINISH: REFER JO</p>	<p>CHK</p>	<p>DO NOT SCALE DRAWING</p>	<p>CYRCA BOLLARD, SERIES 900 M30-P1, SHALLOW MOUNT</p>
<p>WEIGHT: 1140.548 LBS.</p>	<p>SIZE</p>	<p>DWG. NO.</p>	<p>REV</p>
<p>SCALE: NOT TO SCALE</p>	<p>B</p>	<p>LBCYR-903-LIT--FLR--SM30</p>	<p>0</p>
			<p>SHEET</p>
			<p>1 OF 1</p>



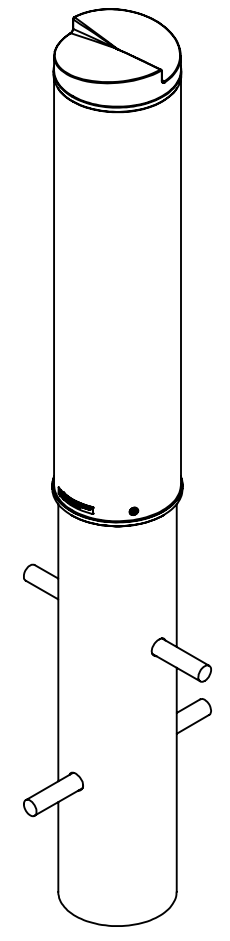
TOP VIEW



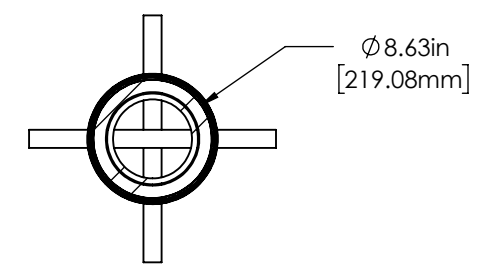
FRONT VIEW



SECTION B-B

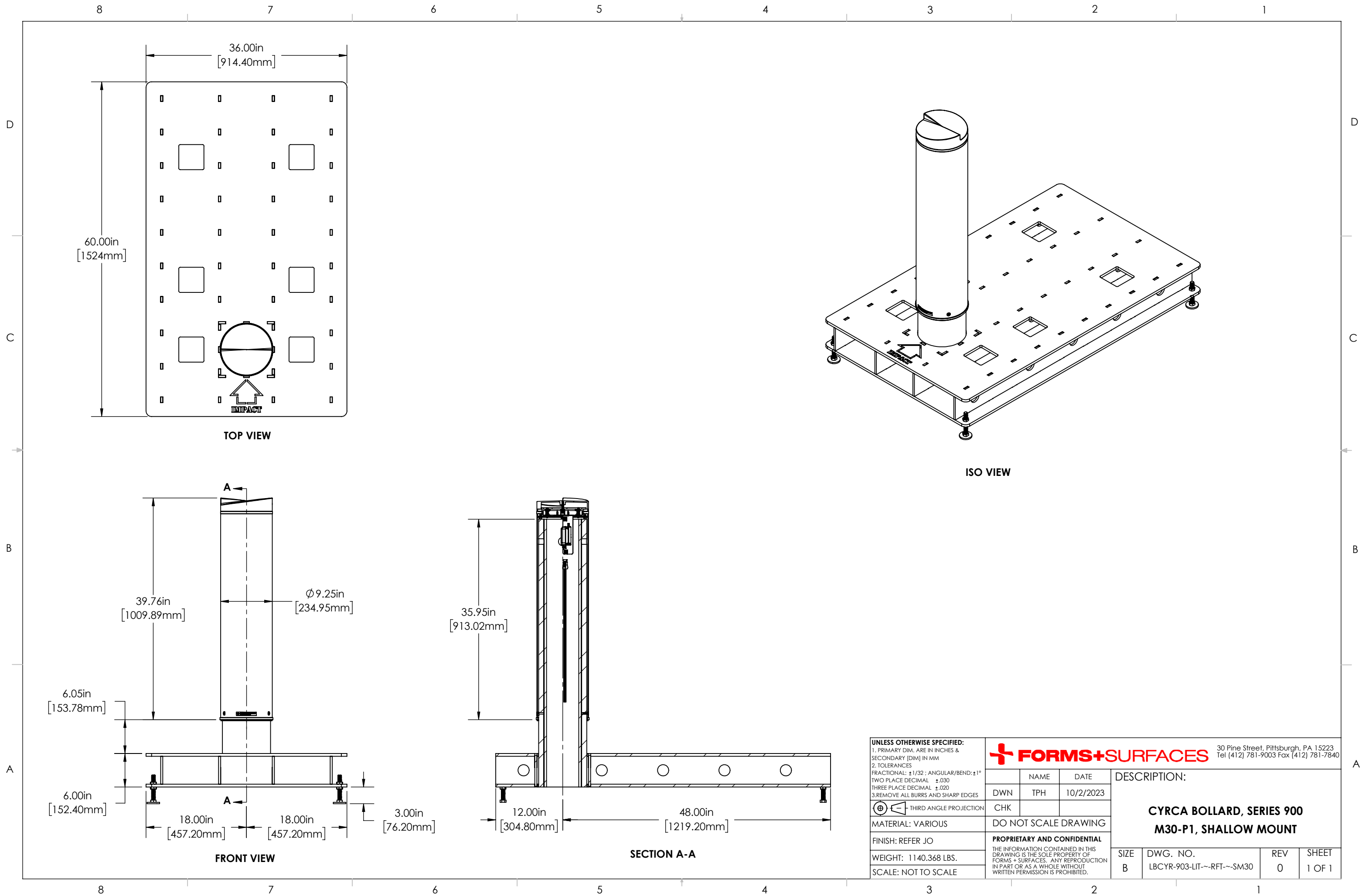


ISO VIEW



SECTION A-A

UNLESS OTHERWISE SPECIFIED: 1. PRIMARY DIM. ARE IN INCHES & SECONDARY [DIM] IN MM 2. TOLERANCES FRACTIONAL: ±1/32; ANGULAR/BEND: ±1° TWO PLACE DECIMAL ±.030 THREE PLACE DECIMAL ±.020 3. REMOVE ALL BURRS AND SHARP EDGES				30 Pine Street, Pittsburgh, PA 15223 Tel (412) 781-9003 Fax (412) 781-7840	
	THIRD ANGLE PROJECTION	NAME	DATE	DESCRIPTION:	
MATERIAL: VARIOUS	DO NOT SCALE DRAWING	DWN	TPH	CYRCA BOLLARD, SERIES 900 M30/K4 SECURITY CORE	
FINISH: REFER JO	PROPRIETARY AND CONFIDENTIAL	REV	SHEET	SIZE DWG. NO. REV SHEET B LBCYR-903-LIT--RFT--M30 0 1 OF 1	
WEIGHT: 672.352 LBS.	THE INFORMATION CONTAINED IN THIS DRAWING IS THE SOLE PROPERTY OF FORMS + SURFACES. ANY REPRODUCTION IN PART OR AS A WHOLE WITHOUT WRITTEN PERMISSION IS PROHIBITED.				
SCALE: NOT TO SCALE					



UNLESS OTHERWISE SPECIFIED:
 1. PRIMARY DIM. ARE IN INCHES & SECONDARY [DIM] IN MM
 2. TOLERANCES
 FRACTIONAL: ±1/32; ANGULAR/BEND: ±1°
 TWO PLACE DECIMAL ±.030
 THREE PLACE DECIMAL ±.020
 3. REMOVE ALL BURRS AND SHARP EDGES

THIRD ANGLE PROJECTION

MATERIAL: VARIOUS

FINISH: REFER JO

WEIGHT: 1140.368 LBS.

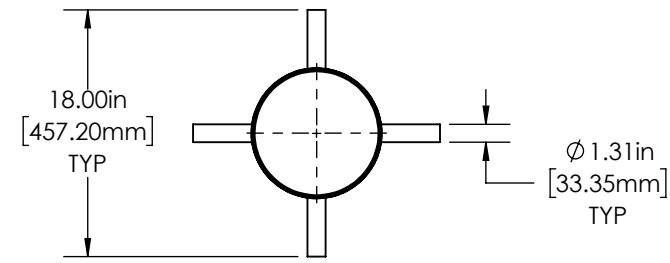
SCALE: NOT TO SCALE



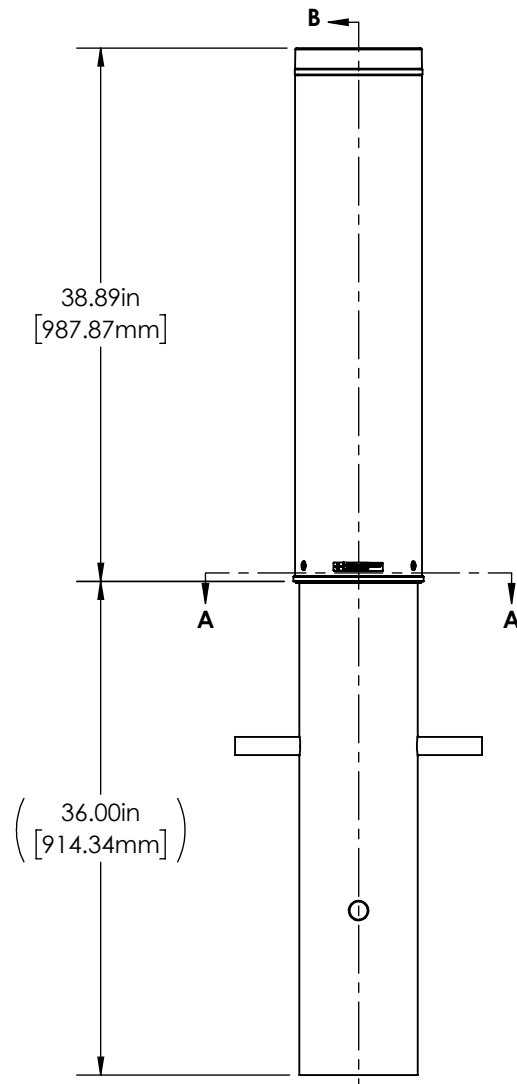
30 Pine Street, Pittsburgh, PA 15223
 Tel (412) 781-9003 Fax (412) 781-7840

NAME	DATE
DWN	10/2/2023
CHK	
DO NOT SCALE DRAWING	
PROPRIETARY AND CONFIDENTIAL	
THE INFORMATION CONTAINED IN THIS DRAWING IS THE SOLE PROPERTY OF FORMS + SURFACES. ANY REPRODUCTION IN PART OR AS A WHOLE WITHOUT WRITTEN PERMISSION IS PROHIBITED.	

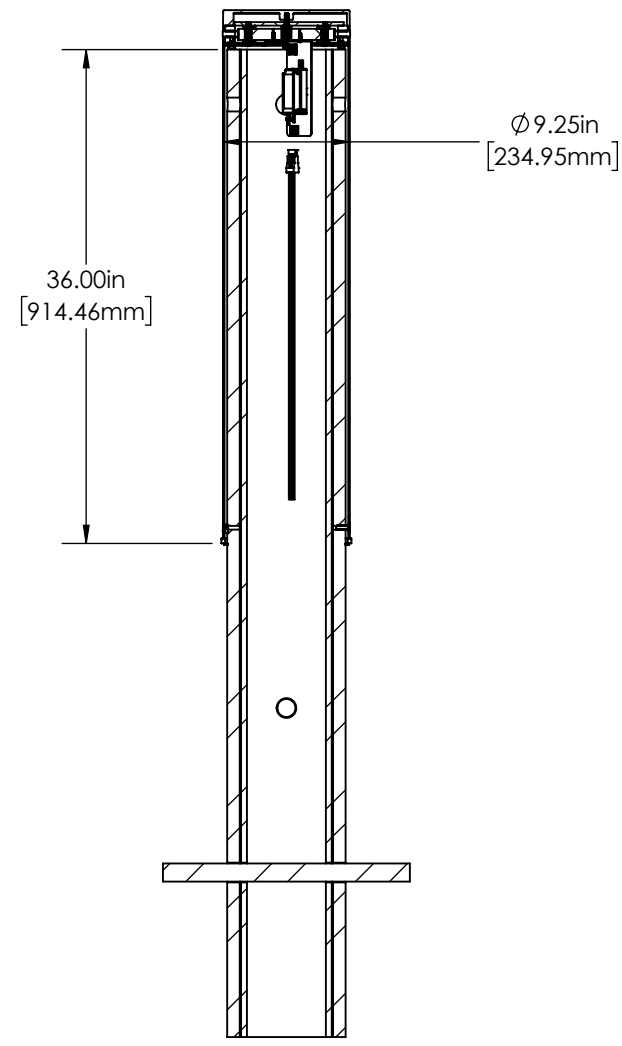
DESCRIPTION:			
CYRCA BOLLARD, SERIES 900 M30-P1, SHALLOW MOUNT			
SIZE	DWG. NO.	REV	SHEET
B	LBCYR-903-LIT---RFT---SM30	0	1 OF 1



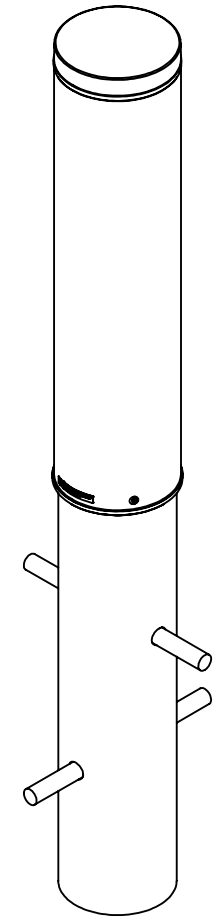
TOP VIEW



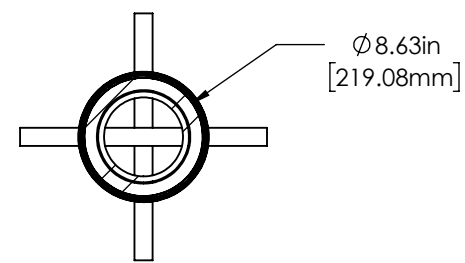
FRONT VIEW



SECTION B-B

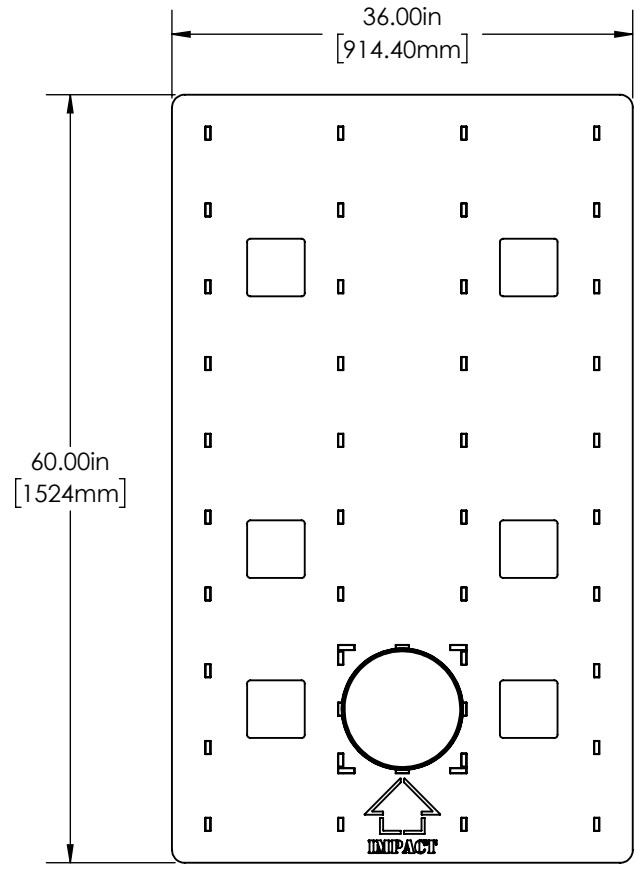
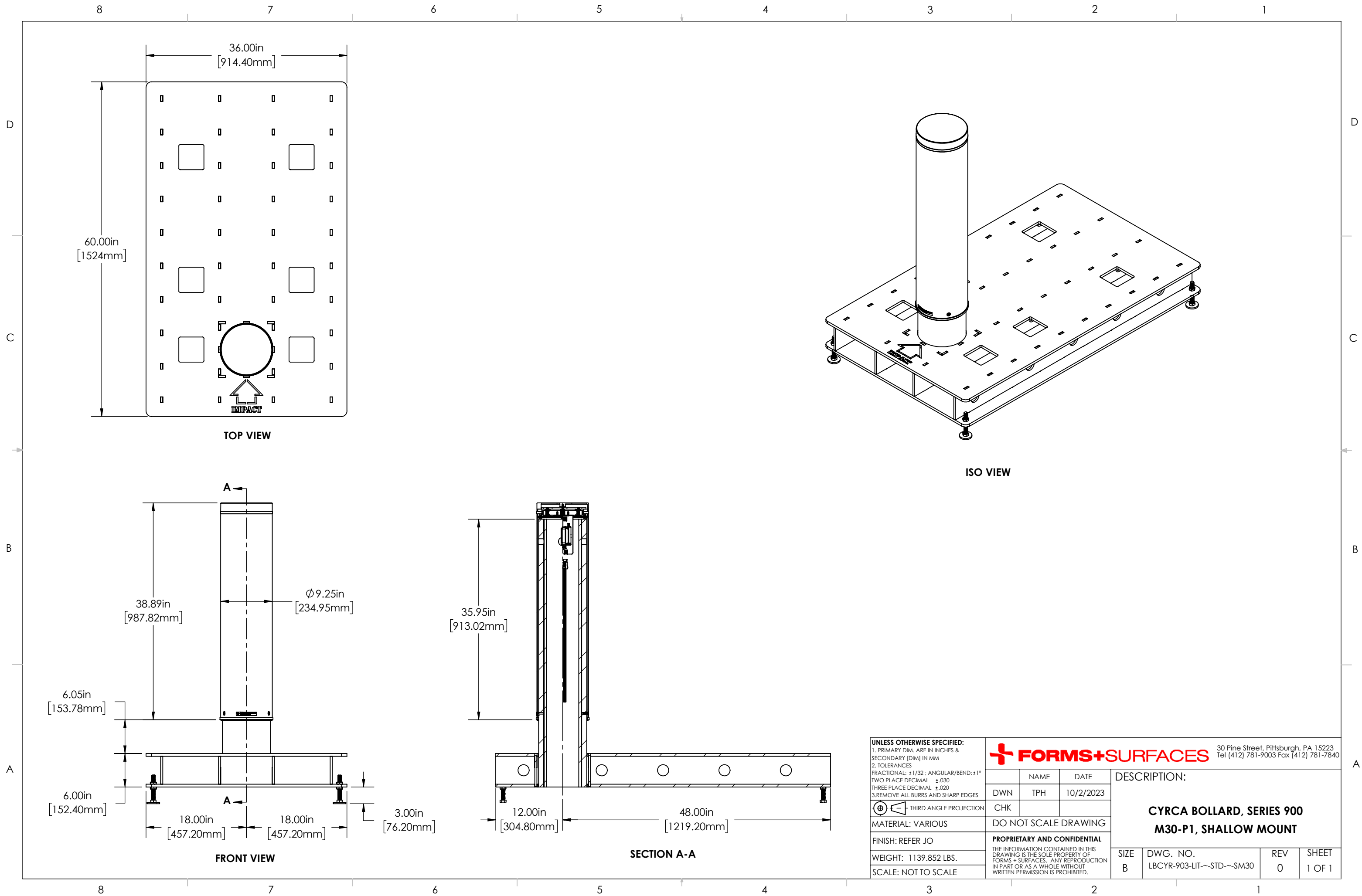


ISO VIEW

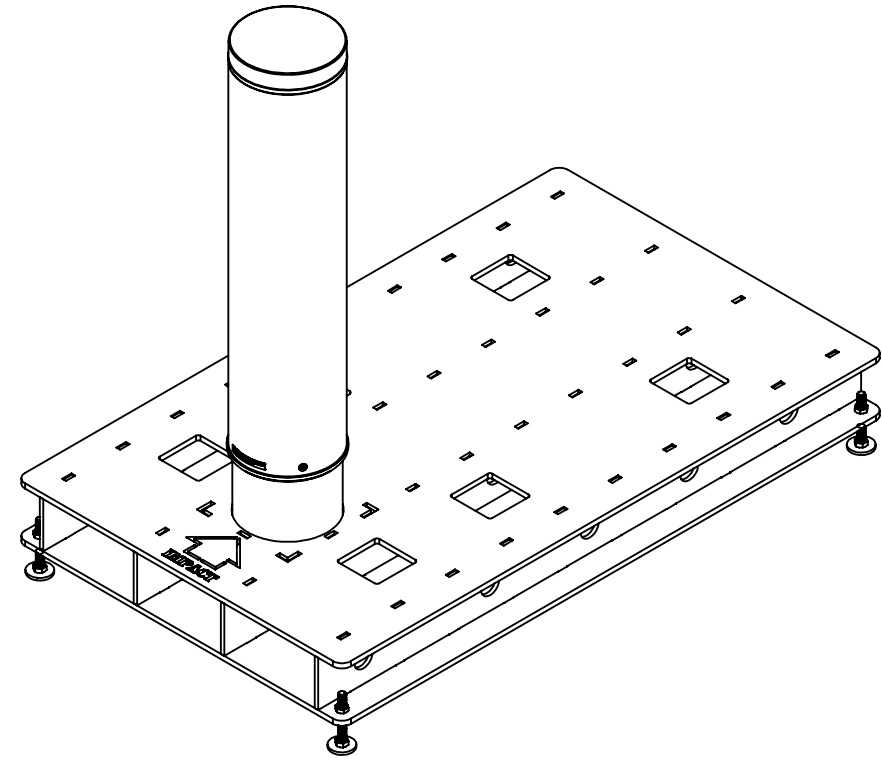


SECTION A-A

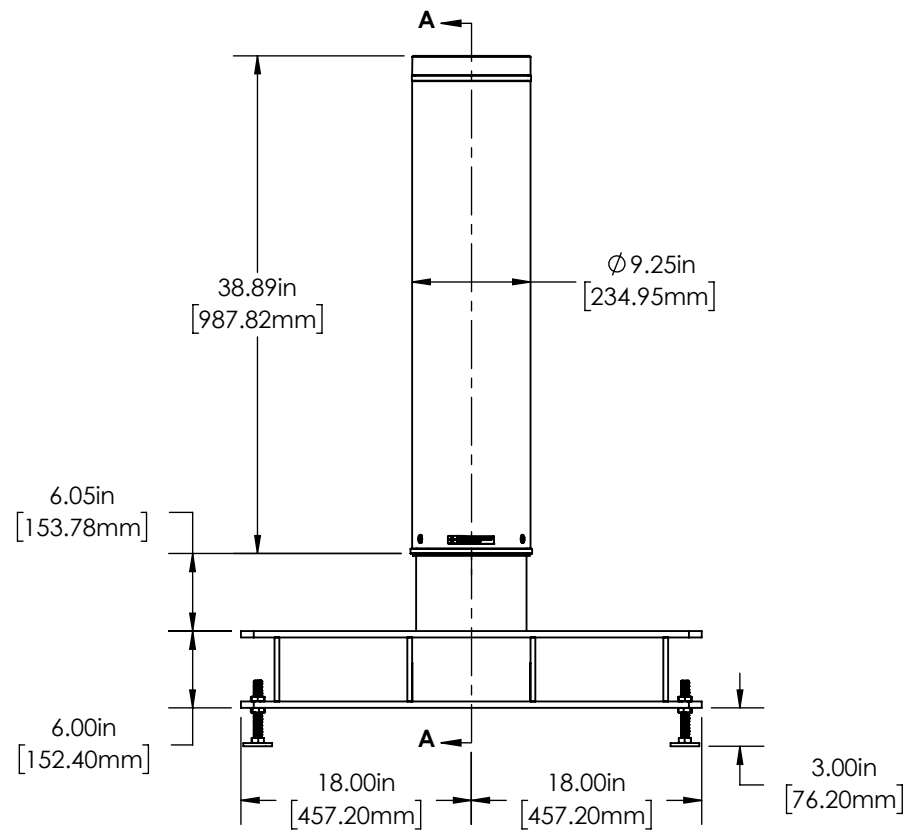
UNLESS OTHERWISE SPECIFIED: 1. PRIMARY DIM. ARE IN INCHES & SECONDARY [DIM] IN MM 2. TOLERANCES FRACTIONAL: ±1/32; ANGULAR/BEND: ±1° TWO PLACE DECIMAL ±.030 THREE PLACE DECIMAL ±.020 3. REMOVE ALL BURRS AND SHARP EDGES				30 Pine Street, Pittsburgh, PA 15223 Tel (412) 781-9003 Fax (412) 781-7840	
	THIRD ANGLE PROJECTION	NAME	DATE	DESCRIPTION:	
MATERIAL: VARIOUS	DO NOT SCALE DRAWING	DWN	TPH	CYRCA BOLLARD, SERIES 900 M30/K4 SECURITY CORE	
FINISH: REFER JO	PROPRIETARY AND CONFIDENTIAL			SIZE	DWG. NO.
WEIGHT: 671.836 LBS.	THE INFORMATION CONTAINED IN THIS DRAWING IS THE SOLE PROPERTY OF FORMS + SURFACES. ANY REPRODUCTION IN PART OR AS A WHOLE WITHOUT WRITTEN PERMISSION IS PROHIBITED.			B	LBCYR-903-LIT--STD--M30
SCALE: NOT TO SCALE				REV	SHEET
				0	1 OF 1



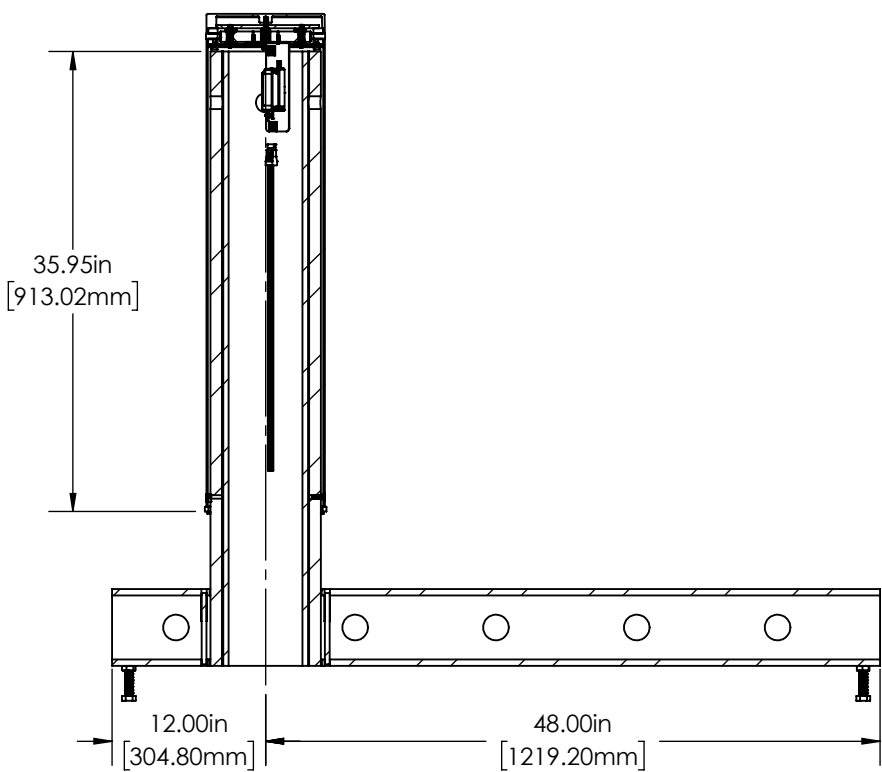
TOP VIEW



ISO VIEW

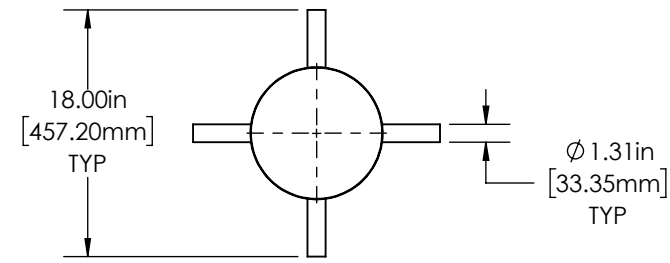


FRONT VIEW

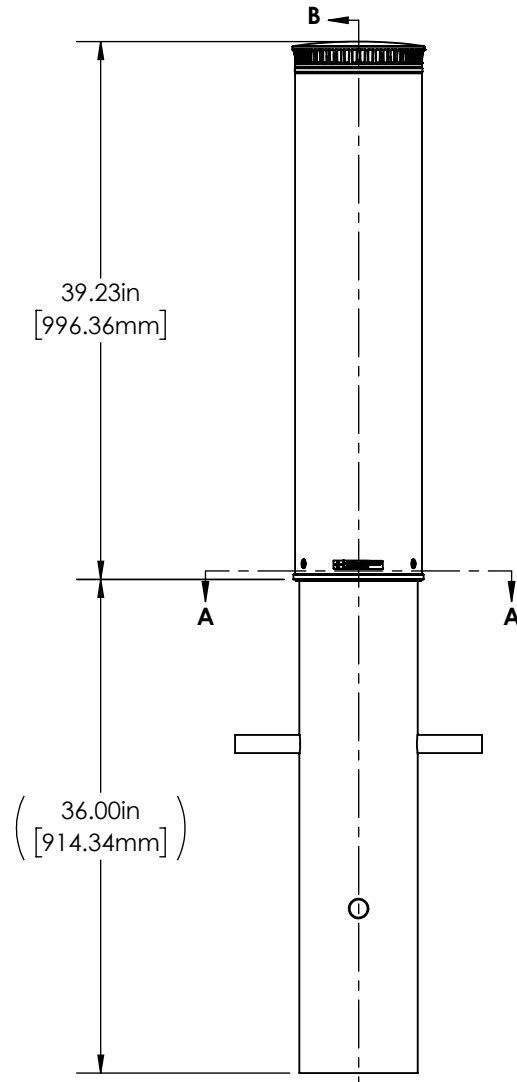


SECTION A-A

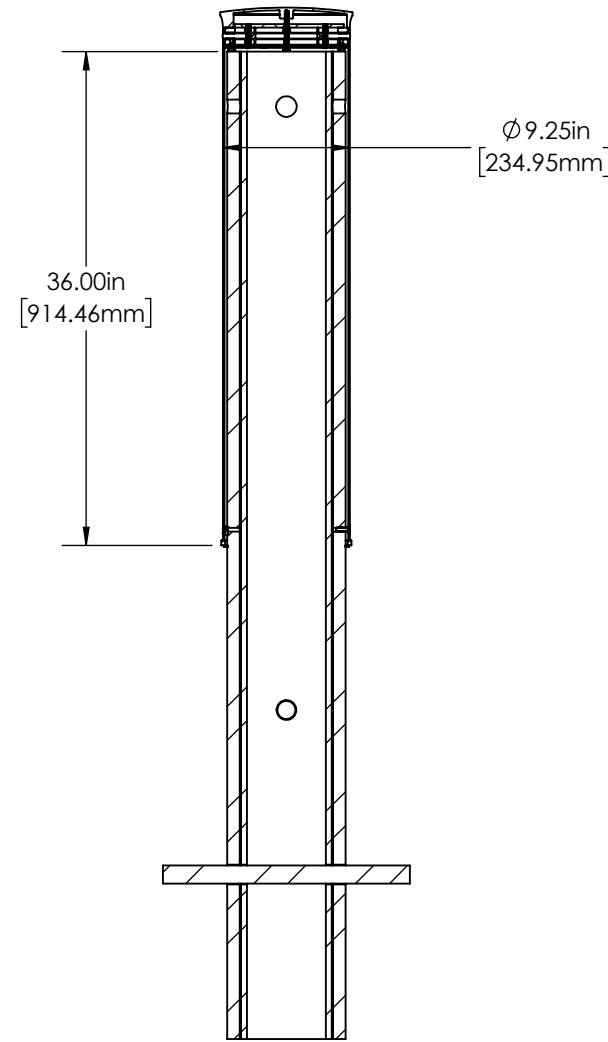
<p>UNLESS OTHERWISE SPECIFIED: 1. PRIMARY DIM. ARE IN INCHES & SECONDARY [DIM] IN MM 2. TOLERANCES FRACTIONAL: ±1/32; ANGULAR/BEND: ±1° TWO PLACE DECIMAL ±.030 THREE PLACE DECIMAL ±.020 3. REMOVE ALL BURRS AND SHARP EDGES</p>		<p>FORMS+SURFACES 30 Pine Street, Pittsburgh, PA 15223 Tel (412) 781-9003 Fax (412) 781-7840</p>	
<p>THIRD ANGLE PROJECTION</p>	<p>NAME</p>	<p>DATE</p>	<p>DESCRIPTION:</p>
<p>MATERIAL: VARIOUS</p>	<p>DWN</p>	<p>TPH</p>	<p>10/2/2023</p>
<p>FINISH: REFER JO</p>	<p>CHK</p>	<p>DO NOT SCALE DRAWING</p>	<p>CYRCA BOLLARD, SERIES 900 M30-P1, SHALLOW MOUNT</p>
<p>WEIGHT: 1139.852 LBS.</p>	<p>SIZE</p>	<p>DWG. NO.</p>	<p>REV</p>
<p>SCALE: NOT TO SCALE</p>	<p>B</p>	<p>LBCYR-903-LIT--STD--SM30</p>	<p>0</p>
			<p>SHEET</p>
			<p>1 OF 1</p>



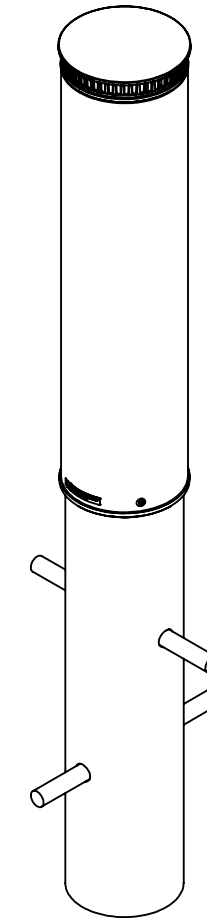
TOP VIEW



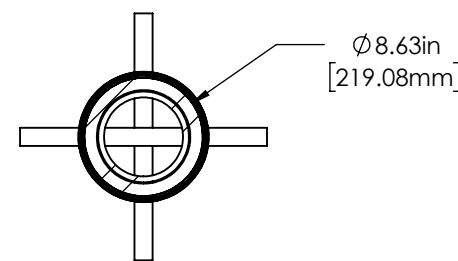
FRONT VIEW



SECTION B-B

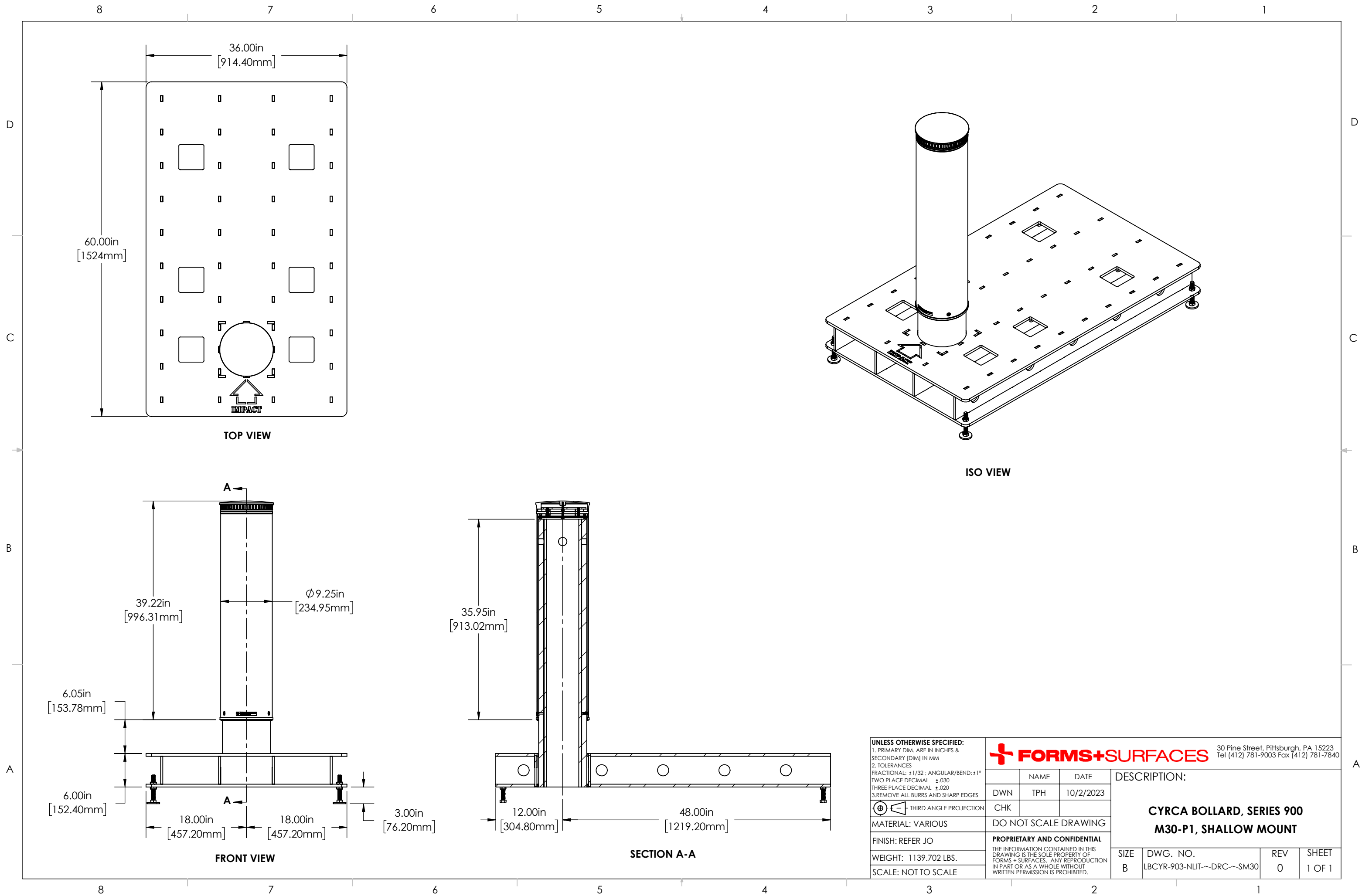


ISO VIEW

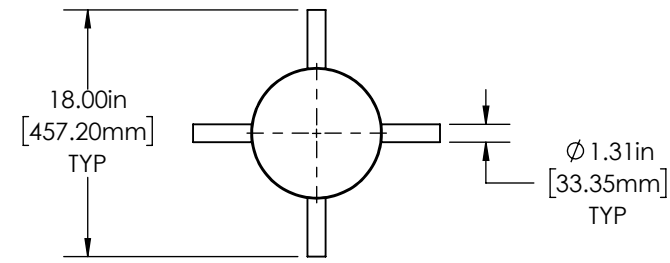


SECTION A-A

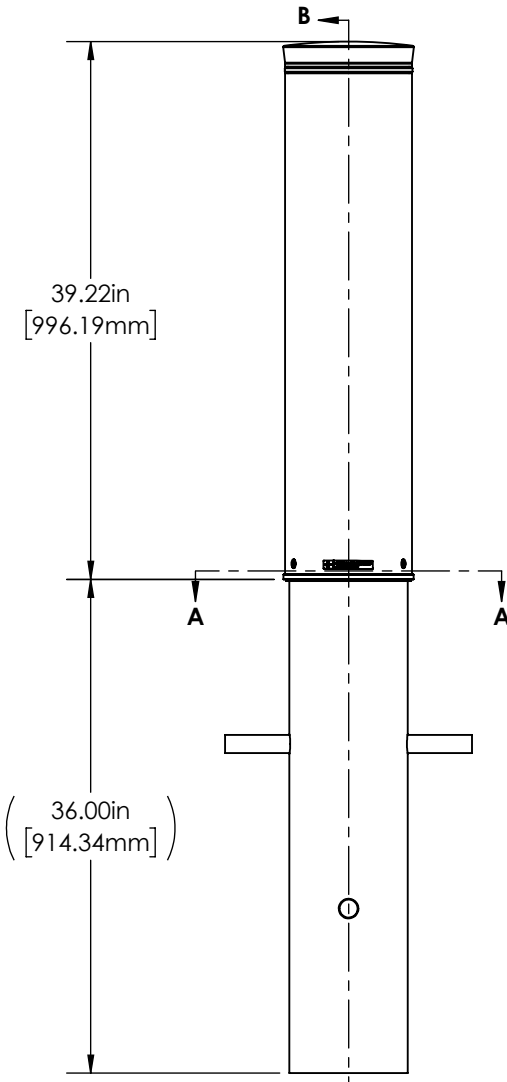
UNLESS OTHERWISE SPECIFIED: 1. PRIMARY DIM. ARE IN INCHES & SECONDARY [DIM] IN MM 2. TOLERANCES FRACTIONAL: ±1/32; ANGULAR/BEND: ±1° TWO PLACE DECIMAL ±.030 THREE PLACE DECIMAL ±.020 3. REMOVE ALL BURRS AND SHARP EDGES				30 Pine Street, Pittsburgh, PA 15223 Tel (412) 781-9003 Fax (412) 781-7840	
THIRD ANGLE PROJECTION		NAME DWN TPH	DATE 10/2/2023	DESCRIPTION: CYRCA BOLLARD, SERIES 900 M30/K4 SECURITY CORE	
MATERIAL: VARIOUS		DO NOT SCALE DRAWING		SIZE B	
FINISH: REFER JO		PROPRIETARY AND CONFIDENTIAL <small>THE INFORMATION CONTAINED IN THIS DRAWING IS THE SOLE PROPERTY OF FORMS + SURFACES. ANY REPRODUCTION IN PART OR AS A WHOLE WITHOUT WRITTEN PERMISSION IS PROHIBITED.</small>		DWG. NO. LBCYR-903-NLIT---DRC---M30	REV 0
WEIGHT: 671.686 LBS. SCALE: NOT TO SCALE				SHEET 1 OF 1	



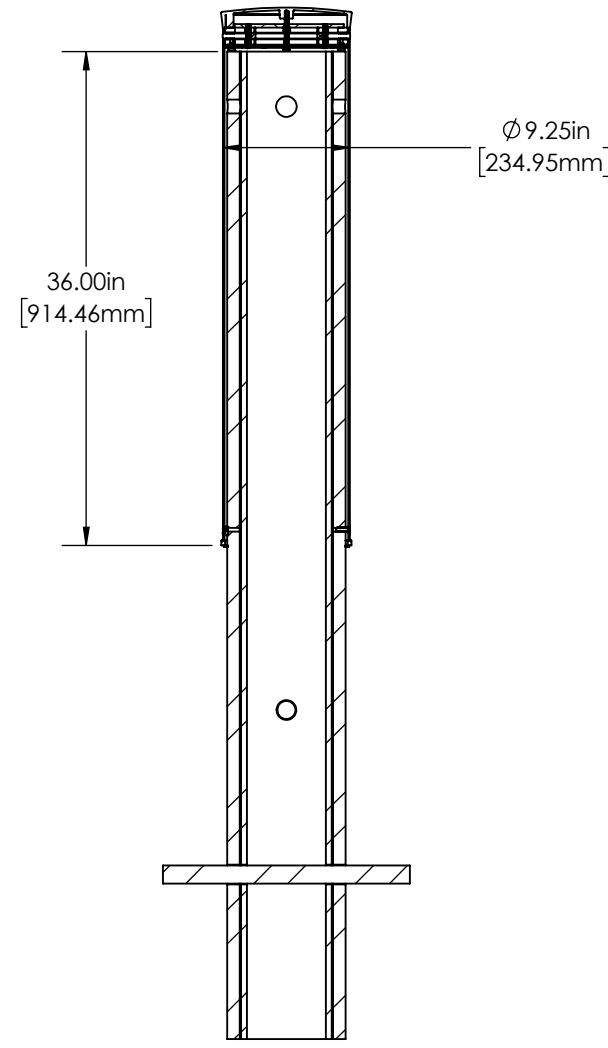
UNLESS OTHERWISE SPECIFIED: 1. PRIMARY DIM. ARE IN INCHES & SECONDARY [DIM] IN MM 2. TOLERANCES FRACTIONAL: ±1/32; ANGULAR/BEND: ±1° TWO PLACE DECIMAL ±.030 THREE PLACE DECIMAL ±.020 3. REMOVE ALL BURRS AND SHARP EDGES		FORMS+SURFACES 30 Pine Street, Pittsburgh, PA 15223 Tel (412) 781-9003 Fax (412) 781-7840	
THIRD ANGLE PROJECTION	NAME DWN TPH	DATE 10/2/2023	DESCRIPTION: CYRCA BOLLARD, SERIES 900 M30-P1, SHALLOW MOUNT
MATERIAL: VARIOUS FINISH: REFER JO WEIGHT: 1139.702 LBS. SCALE: NOT TO SCALE	DO NOT SCALE DRAWING PROPRIETARY AND CONFIDENTIAL THE INFORMATION CONTAINED IN THIS DRAWING IS THE SOLE PROPERTY OF FORMS + SURFACES. ANY REPRODUCTION IN PART OR AS A WHOLE WITHOUT WRITTEN PERMISSION IS PROHIBITED.		SIZE B
	DWG. NO. LBCYR-903-NLIT-~-DRC-~-SM30	REV 0	SHEET 1 OF 1



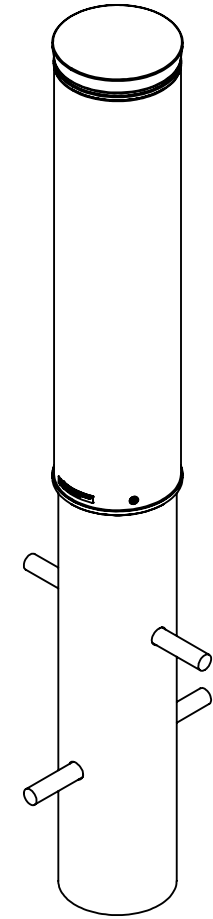
TOP VIEW



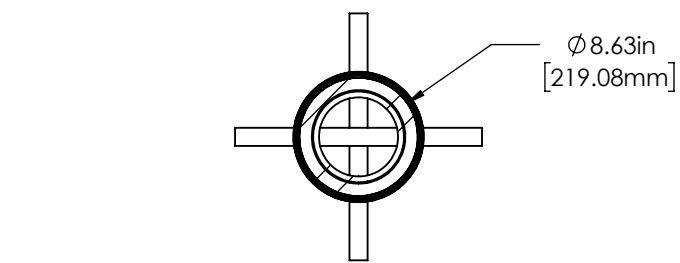
FRONT VIEW



SECTION B-B

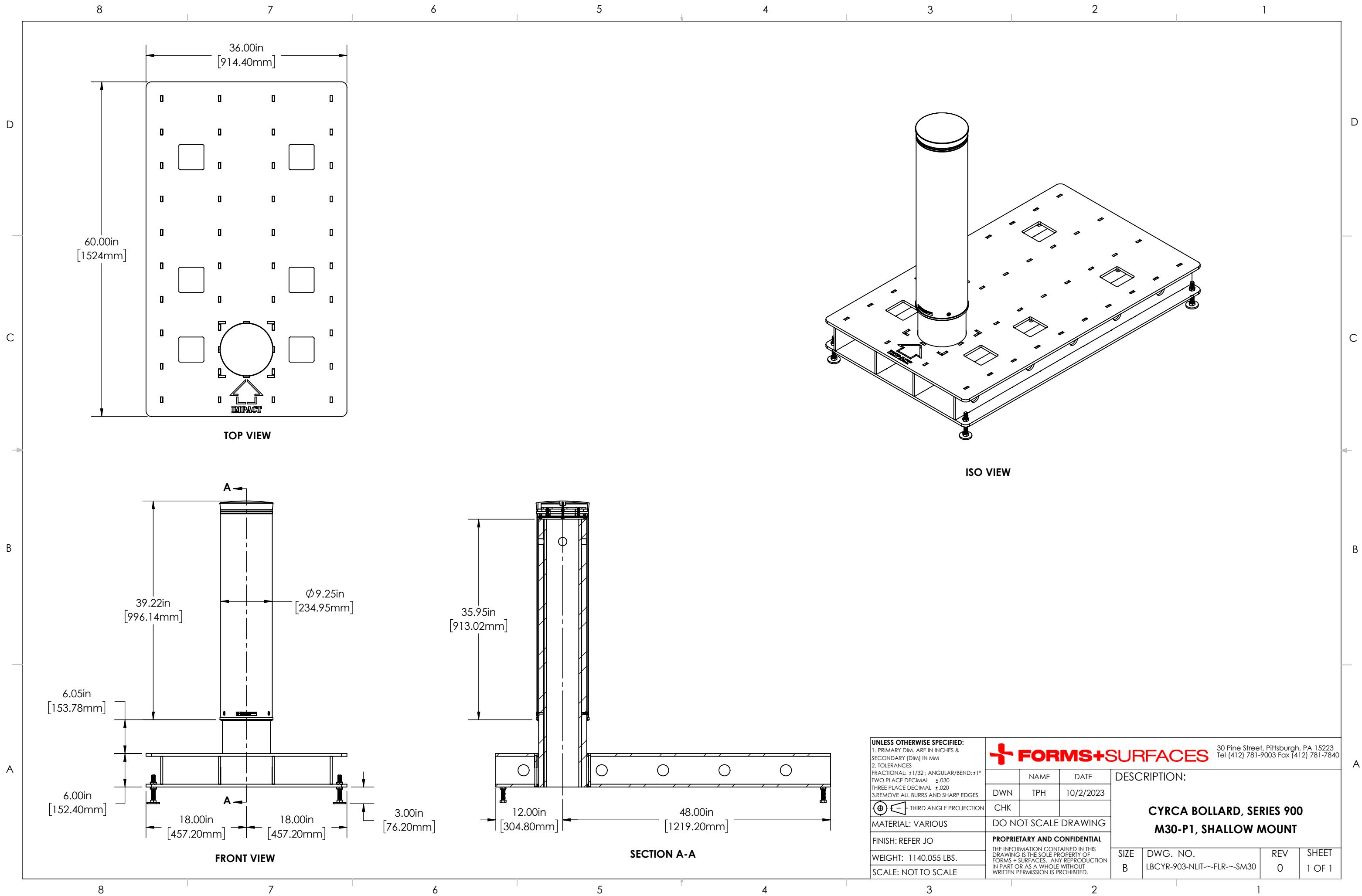


ISO VIEW



SECTION A-A

UNLESS OTHERWISE SPECIFIED: 1. PRIMARY DIM. ARE IN INCHES & SECONDARY [DIM] IN MM 2. TOLERANCES FRACTIONAL: ±1/32; ANGULAR/BEND: ±1° TWO PLACE DECIMAL ±.030 THREE PLACE DECIMAL ±.020 3. REMOVE ALL BURRS AND SHARP EDGES				30 Pine Street, Pittsburgh, PA 15223 Tel (412) 781-9003 Fax (412) 781-7840		
THIRD ANGLE PROJECTION		NAME	DATE	DESCRIPTION: CYRCA BOLLARD, SERIES 900 M30/K4 SECURITY CORE		
MATERIAL: VARIOUS		DWN	TPH			10/2/2023
FINISH: REFER JO		CHK				
WEIGHT: 672.038 LBS.		DO NOT SCALE DRAWING		PROPRIETARY AND CONFIDENTIAL THE INFORMATION CONTAINED IN THIS DRAWING IS THE SOLE PROPERTY OF FORMS + SURFACES. ANY REPRODUCTION IN PART OR AS A WHOLE WITHOUT WRITTEN PERMISSION IS PROHIBITED.		
SCALE: NOT TO SCALE		SIZE	DWG. NO.	REV	SHEET	
		B	LBCYR-903-NLIT--FLR--M30	0	1 OF 1	

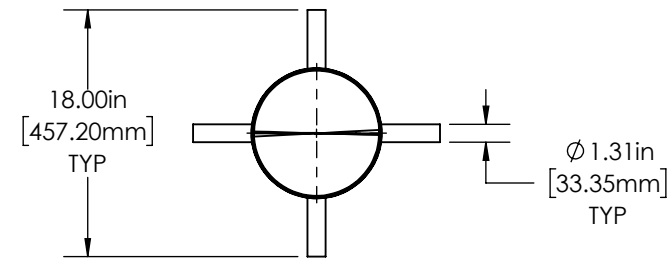


UNLESS OTHERWISE SPECIFIED:
 1. PRIMARY DIM. ARE IN INCHES & SECONDARY [DIM] IN MM
 2. TOLERANCES
 FRACTIONAL: $\pm 1/32$; ANGULAR/BEND: $\pm 1^\circ$
 TWO PLACE DECIMAL: $\pm .030$
 THREE PLACE DECIMAL: $\pm .020$
 3. REMOVE ALL BURRS AND SHARP EDGES

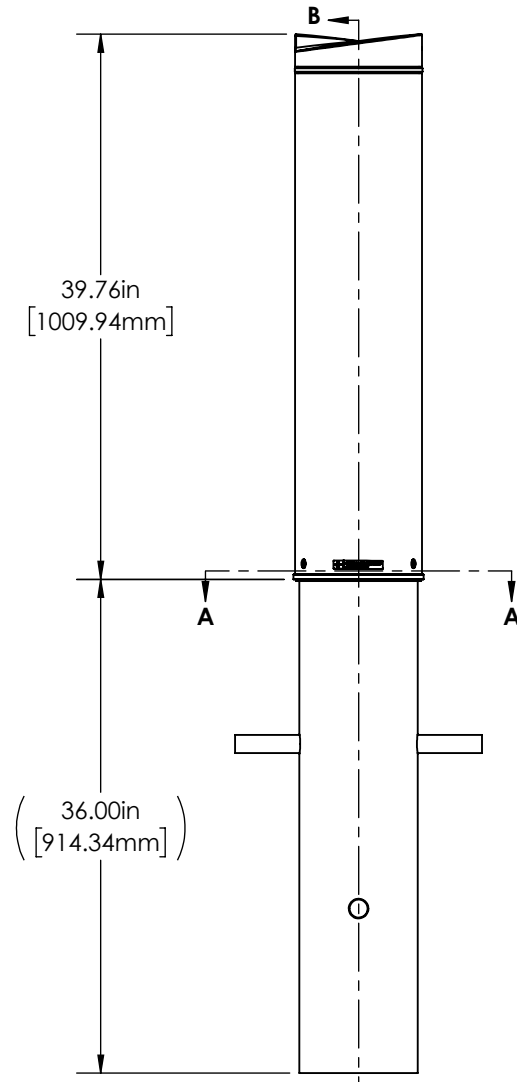
THIRD ANGLE PROJECTION

MATERIAL: VARIOUS
 FINISH: REFER JO
 WEIGHT: 1140.055 LBS.
 SCALE: NOT TO SCALE

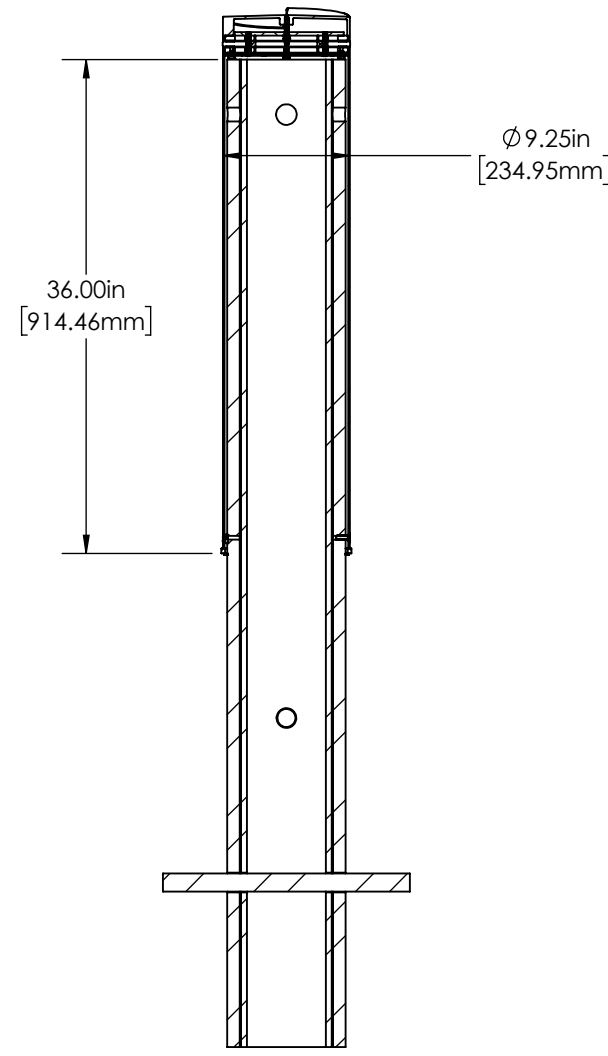
		30 Pine Street, Pittsburgh, PA 15223 Tel (412) 781-9003 Fax (412) 781-7840	
		NAME	DATE
DWN	TPH	10/2/2023	DESCRIPTION: CYRCA BOLLARD, SERIES 900 M30-P1, SHALLOW MOUNT
CHK			
DO NOT SCALE DRAWING			
SIZE	DWG. NO.	REV	SHEET
B	LBCYR-903-NLIT--FLR--SM30	0	1 OF 1



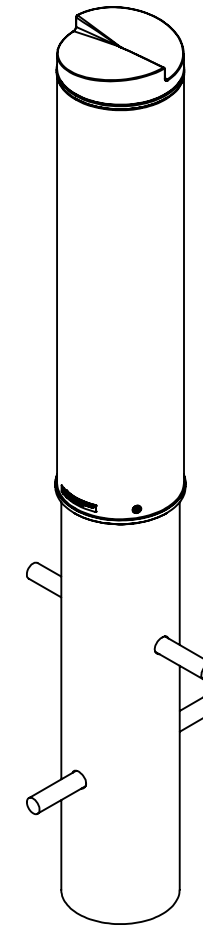
TOP VIEW



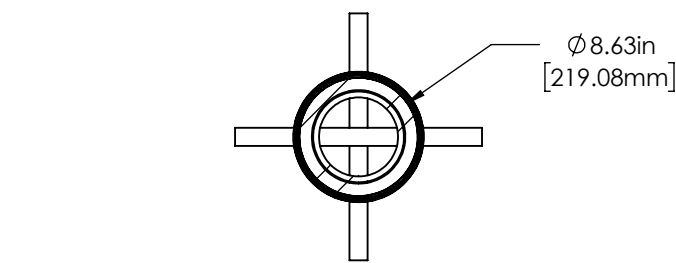
FRONT VIEW



SECTION B-B

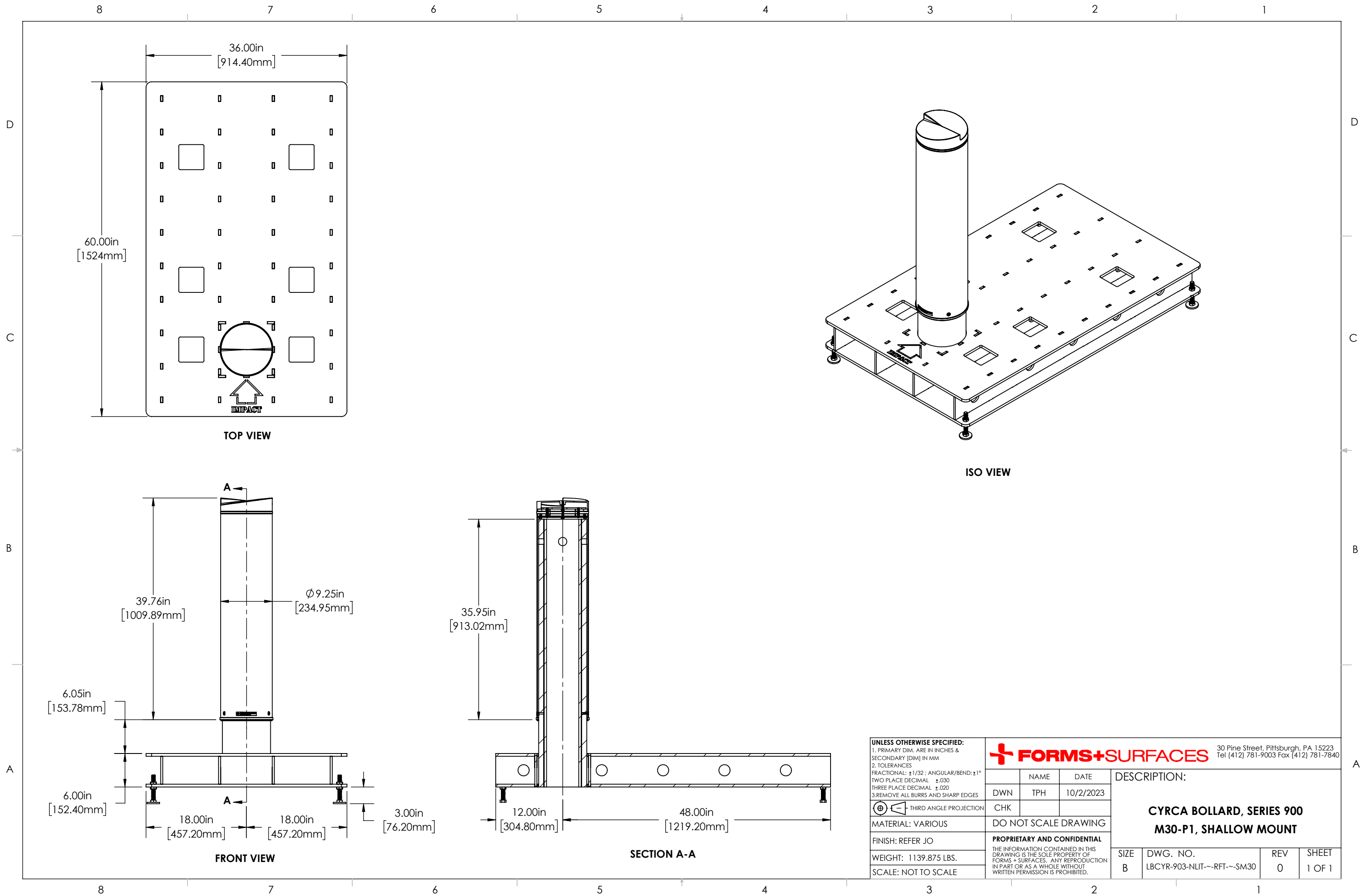


ISO VIEW



SECTION A-A

UNLESS OTHERWISE SPECIFIED: 1. PRIMARY DIM. ARE IN INCHES & SECONDARY [DIM] IN MM 2. TOLERANCES FRACTIONAL: ±1/32; ANGULAR/BEND: ±1° TWO PLACE DECIMAL ±.030 THREE PLACE DECIMAL ±.020 3. REMOVE ALL BURRS AND SHARP EDGES		30 Pine Street, Pittsburgh, PA 15223 Tel (412) 781-9003 Fax (412) 781-7840	
THIRD ANGLE PROJECTION	NAME DWN TPH	DATE 10/2/2023	DESCRIPTION: CYRCA BOLLARD, SERIES 900 M30/K4 SECURITY CORE
MATERIAL: VARIOUS	DO NOT SCALE DRAWING		
FINISH: REFER JO	PROPRIETARY AND CONFIDENTIAL THE INFORMATION CONTAINED IN THIS DRAWING IS THE SOLE PROPERTY OF FORMS + SURFACES. ANY REPRODUCTION IN PART OR AS A WHOLE WITHOUT WRITTEN PERMISSION IS PROHIBITED.		SIZE B
WEIGHT: 671.859 LBS. SCALE: NOT TO SCALE	DWG. NO. LBCYR-903-NLIT--RFT--M30	REV 0	SHEET 1 OF 1



UNLESS OTHERWISE SPECIFIED:
 1. PRIMARY DIM. ARE IN INCHES & SECONDARY [DIM] IN MM
 2. TOLERANCES
 FRACTIONAL: ±1/32; ANGULAR/BEND: ±1°
 TWO PLACE DECIMAL ±.030
 THREE PLACE DECIMAL ±.020
 3. REMOVE ALL BURRS AND SHARP EDGES

THIRD ANGLE PROJECTION

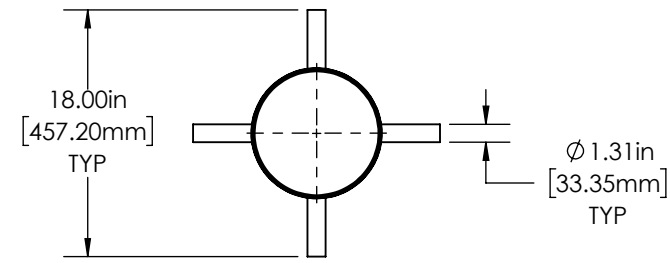
MATERIAL: VARIOUS

FINISH: REFER JO

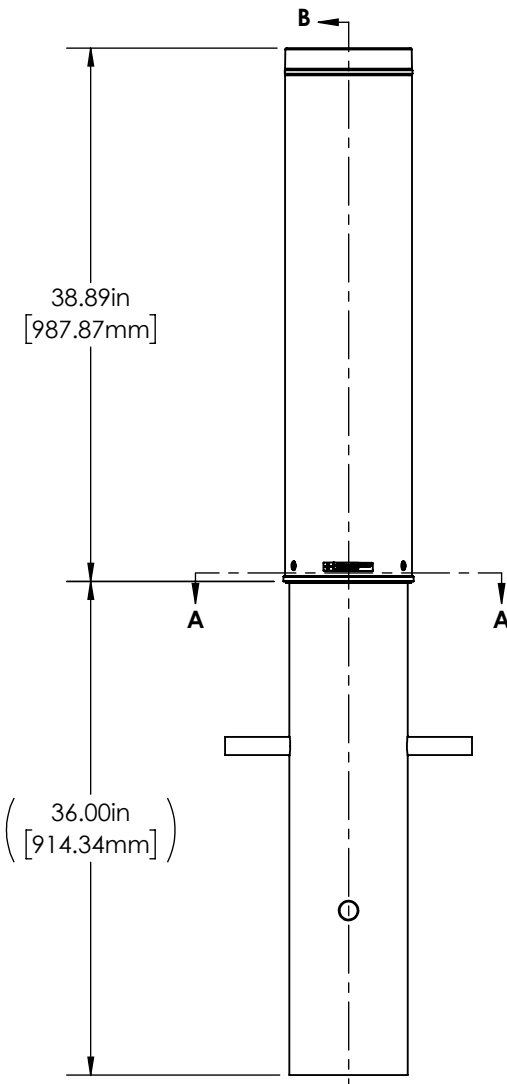
WEIGHT: 1139.875 LBS.

SCALE: NOT TO SCALE

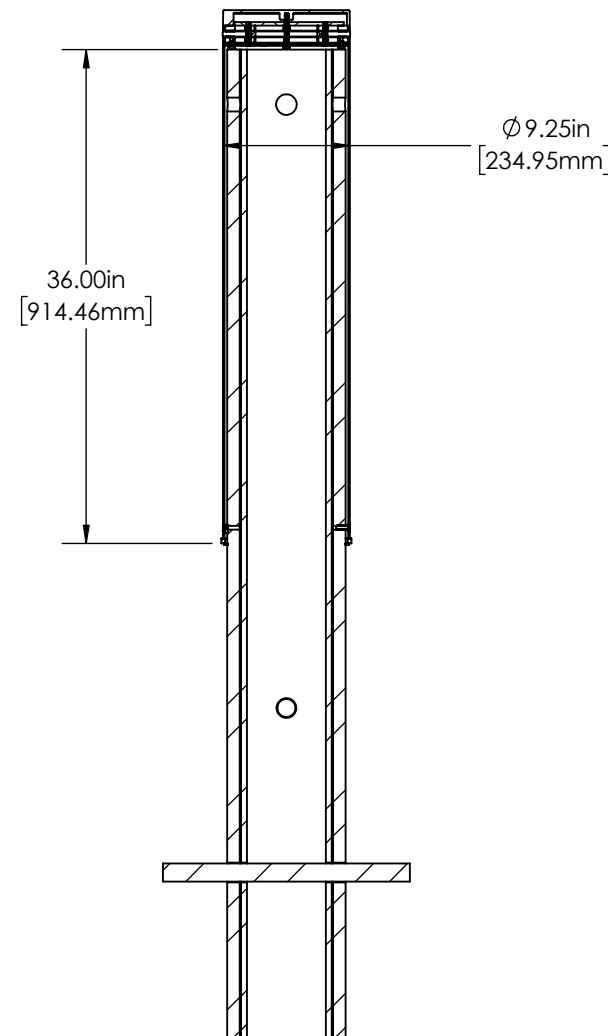
		30 Pine Street, Pittsburgh, PA 15223 Tel (412) 781-9003 Fax (412) 781-7840	
		NAME	DATE
CHK	DWN	TPH	10/2/2023
DESCRIPTION: CYRCA BOLLARD, SERIES 900 M30-P1, SHALLOW MOUNT		SIZE	DWG. NO.
		B	LBCYR-903-NLIT--RFT--SM30
		REV	SHEET
		0	1 OF 1



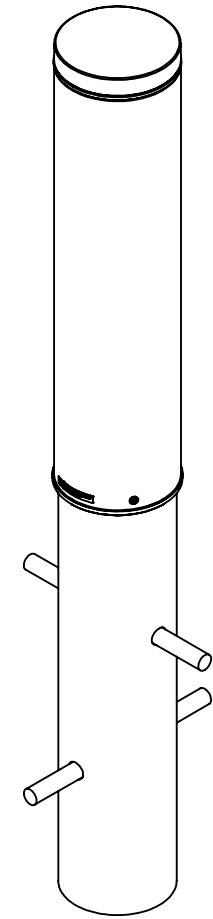
TOP VIEW



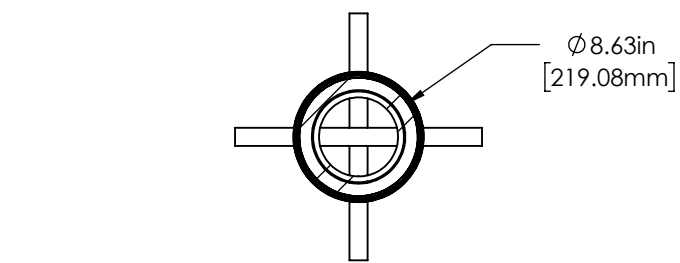
FRONT VIEW



SECTION B-B

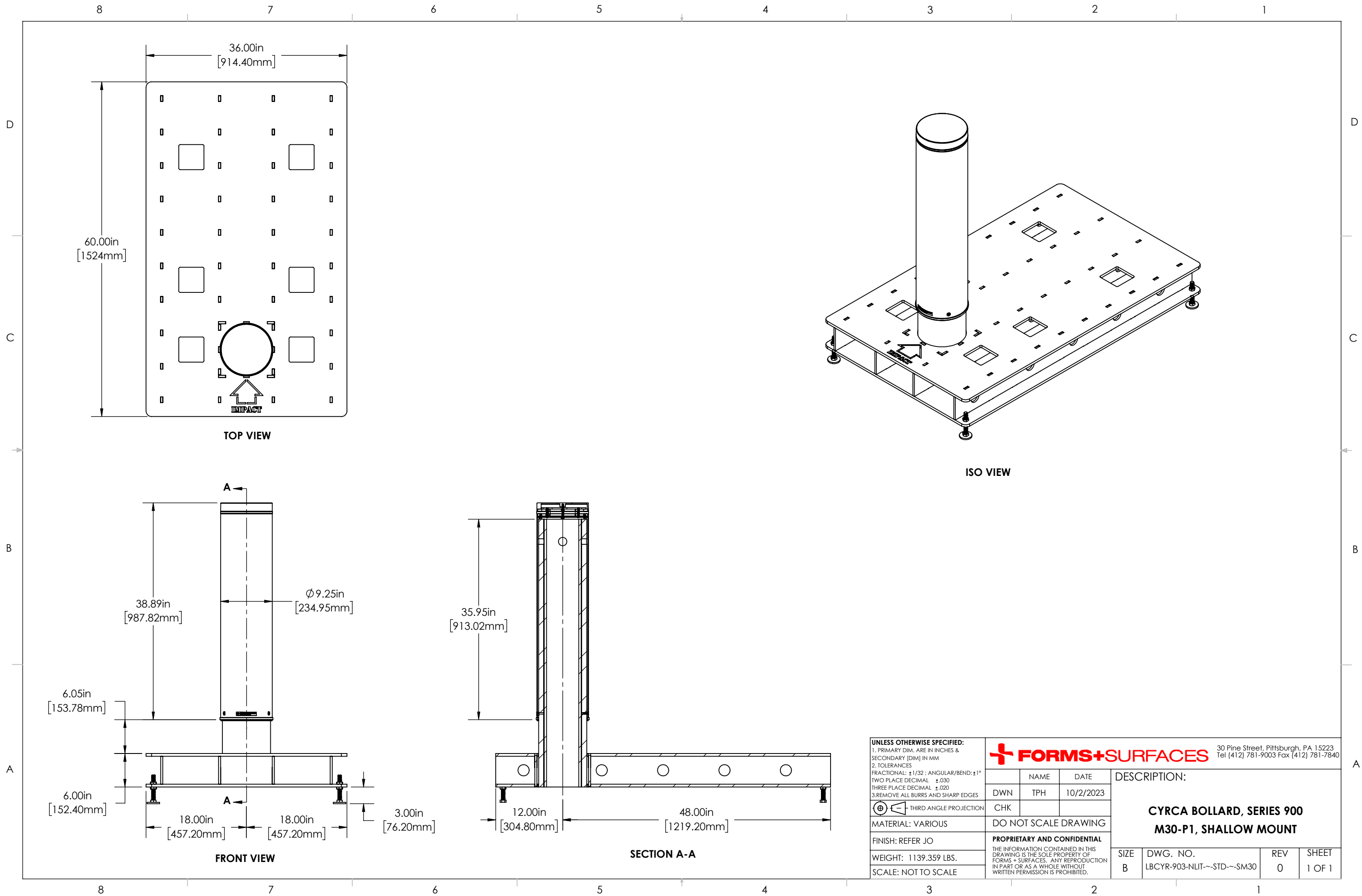


ISO VIEW



SECTION A-A

UNLESS OTHERWISE SPECIFIED: 1. PRIMARY DIM. ARE IN INCHES & SECONDARY [DIM] IN MM 2. TOLERANCES FRACTIONAL: ±1/32; ANGULAR/BEND: ±1° TWO PLACE DECIMAL ±.030 THREE PLACE DECIMAL ±.020 3. REMOVE ALL BURRS AND SHARP EDGES				30 Pine Street, Pittsburgh, PA 15223 Tel (412) 781-9003 Fax (412) 781-7840	
	THIRD ANGLE PROJECTION	NAME	DATE	DESCRIPTION:	
MATERIAL: VARIOUS	DO NOT SCALE DRAWING	DWN	TPH	10/2/2023	CYRCA BOLLARD, SERIES 900 M30/K4 SECURITY CORE
FINISH: REFER JO	PROPRIETARY AND CONFIDENTIAL				
WEIGHT: 671.342 LBS.	THE INFORMATION CONTAINED IN THIS DRAWING IS THE SOLE PROPERTY OF FORMS + SURFACES. ANY REPRODUCTION IN PART OR AS A WHOLE WITHOUT WRITTEN PERMISSION IS PROHIBITED.	SIZE	DWG. NO.	REV	
SCALE: NOT TO SCALE		B	LBCYR-903-NLIT--STD--M30	0	1 OF 1



UNLESS OTHERWISE SPECIFIED:
 1. PRIMARY DIM. ARE IN INCHES & SECONDARY [DIM] IN MM
 2. TOLERANCES
 FRACTIONAL: $\pm 1/32$; ANGULAR/BEND: $\pm 1^\circ$
 TWO PLACE DECIMAL $\pm .030$
 THREE PLACE DECIMAL $\pm .020$
 3. REMOVE ALL BURRS AND SHARP EDGES

THIRD ANGLE PROJECTION

MATERIAL: VARIOUS

FINISH: REFER JO

WEIGHT: 1139.359 LBS.

SCALE: NOT TO SCALE



30 Pine Street, Pittsburgh, PA 15223
 Tel (412) 781-9003 Fax (412) 781-7840

NAME	DATE
DWN	TPH
10/2/2023	
CHK	
DO NOT SCALE DRAWING	
PROPRIETARY AND CONFIDENTIAL	
THE INFORMATION CONTAINED IN THIS DRAWING IS THE SOLE PROPERTY OF FORMS + SURFACES. ANY REPRODUCTION IN PART OR AS A WHOLE WITHOUT WRITTEN PERMISSION IS PROHIBITED.	

DESCRIPTION:			
CYRCA BOLLARD, SERIES 900 M30-P1, SHALLOW MOUNT			
SIZE	DWG. NO.	REV	SHEET
B	LBCYR-903-NLIT--STD--SM30	0	1 OF 1