

PROJECT NAME: _____

DATE: _____

JOB LOCATION: _____

COMPANY: _____

SPECIFIER: _____

PLEASE USE ADOBE READER OR ADOBE ACROBAT TO FILL OUT AND SAVE FORM. USING OTHER PROGRAMS COULD RESULT IN UNSAVED DATA.

MODEL

QUANTITY

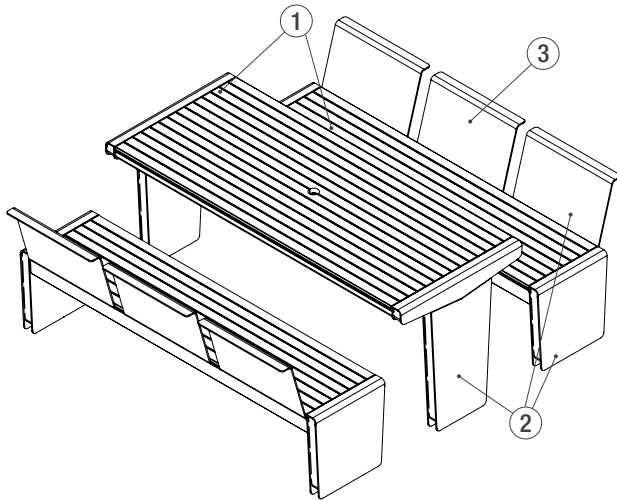
MODEL

_____	STVTR-72C	Vector Table Ensemble, FSC 100% Cumaru hardwood slats
_____	STVTR-72C-ADA	Vector Table Ensemble, ADA option, FSC 100% Cumaru hardwood slats
_____	STVTR-72A	Vector Table Ensemble, extruded aluminum slats
_____	STVTR-72A-ADA	Vector Table Ensemble, ADA option, extruded aluminum slats

OPTIONS

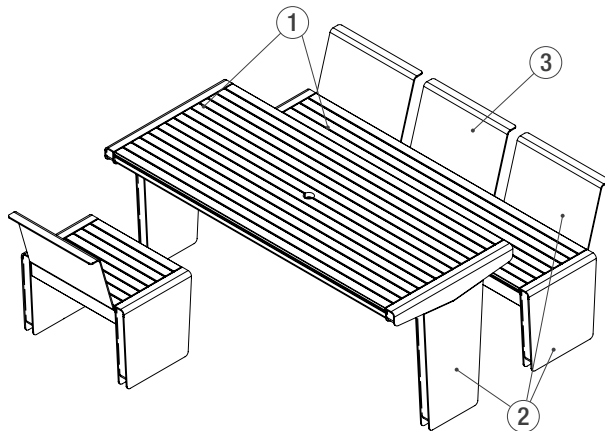
VECTOR TABLE ENSEMBLE

Shown with optional seat backs



VECTOR TABLE ENSEMBLE, ADA OPTION

Shown with optional seat backs



Powdercoat Color Options

Please select **one** option below and write in specified color.

1 Aluminum Slats (if selected)

Standard Texture from F+S Powdercoat Color Chart

Custom RAL Powdercoat Color *(subject to upcharge)*

2 Frames

Standard Texture from F+S Powdercoat Color Chart

Custom RAL Powdercoat Color *(subject to upcharge)*

Umbrella Hole and Sleeve

For use with the Soleris Sunshade

Yes *(subject to upcharge)*

No

3 Seat Backs

Please select **one** seat back option below.

- No seat back
- One seat back per 2-foot bench section
Quantity _____ (subject to upcharge)

Placement Notes: _____

Mounting Options

Table is surface mounted.

Please select **one** mounting option for benches.

- Surface mount (benches with seat backs must be surface mounted)
- Freestanding

NOTES

Please send completed forms to sales@forms-surfaces.com or contact us at 800.451.0410 with any questions.

FSC License Code: FSC-C004453