

PROJECT NAME: \_\_\_\_\_

DATE: \_\_\_\_\_

JOB LOCATION: \_\_\_\_\_

COMPANY: \_\_\_\_\_

SPECIFIER: \_\_\_\_\_

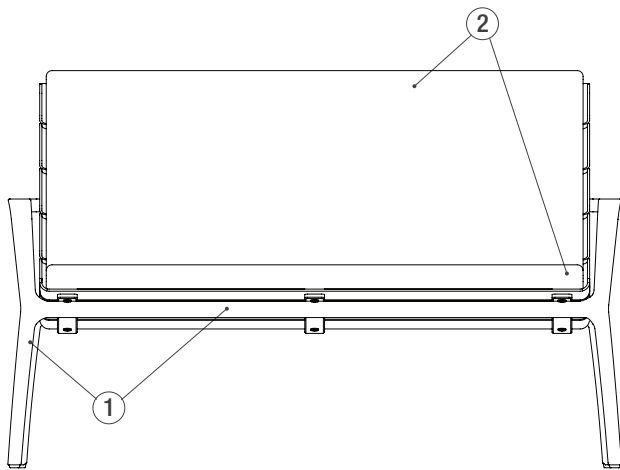
PLEASE USE ADOBE READER OR ADOBE ACROBAT TO FILL OUT AND SAVE FORM. USING OTHER PROGRAMS COULD RESULT IN UNSAVED DATA.

**MODEL**

QUANTITY	MODEL	
_____	SBVYA-T	Vaya Textile Bench

**OPTIONS**

**VAYA TEXTILE BENCH**



**① Frame Powdercoat Color Options**

Please select **one** option below and write in specified color.

Standard Texture from F+S Powdercoat Color Chart

\_\_\_\_\_

Custom RAL Powdercoat Color (subject to upcharge)

\_\_\_\_\_

**② Sunbrella® Fabric Options**

Please select **one** option below.

Agave Pewter

Dupione Henna

Canvas Coal

Linen Silver

Canvas Fern

Rib Natural

Canvas Spa

Spectrum Indigo

Cast Petal

Umbra Stone

**Mounting Options**

Freestanding

Surface Mount\*

Add F+S stainless steel mounting hardware kit\*

Do not include F+S mounting kit

\*Hardware is required for surface mount benches. Mounting kits can be purchased from F+S for an additional charge.

**NOTES**

---

---

---

Please send completed forms to [sales@forms-surfaces.com](mailto:sales@forms-surfaces.com) or contact us at **800.451.0410** with any questions.