

PROJECT NAME: \_\_\_\_\_

DATE: \_\_\_\_\_

JOB LOCATION: \_\_\_\_\_

COMPANY: \_\_\_\_\_

SPECIFIER: \_\_\_\_\_

PLEASE USE ADOBE READER OR ADOBE ACROBAT TO FILL OUT AND SAVE FORM. USING OTHER PROGRAMS COULD RESULT IN UNSAVED DATA.

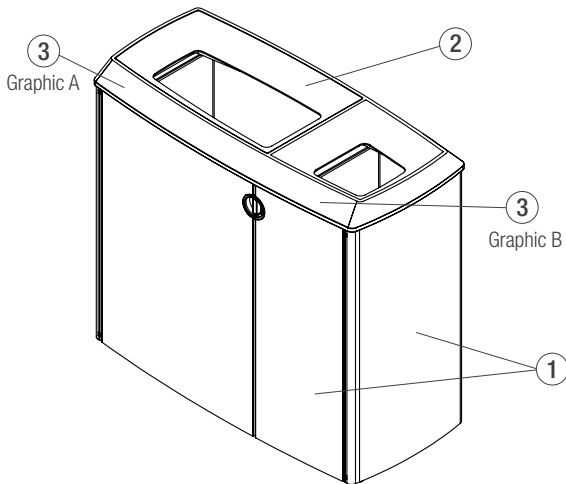
MODEL

QUANTITY MODEL

_____	SLTRA-4020	Transit Litter & Recycling Receptacle, dual-stream, stainless steel
_____	SLTRA-180	Transit Litter & Recycling Receptacle, tri-stream, waste-specific openings, stainless steel
_____	SLTRA-320	Transit Litter & Recycling Receptacle, tri-stream, rectangular openings, stainless steel

OPTIONS

TRANSIT RECEPTACLE, DUAL-STREAM



① Body Finish Options

Please select **one** option below.

**Stainless Steel Finish**

- Sandstone     Diamond     Linen     Satin

② Lid Material and Color Options

Please select **one** design option below.

*NOTE: Due to the inherent nature of metal castings, gloss powdercoats are not offered for cast components.*

**Polyethylene** (available on SLTRA-4020 and SLTRA-180 only)

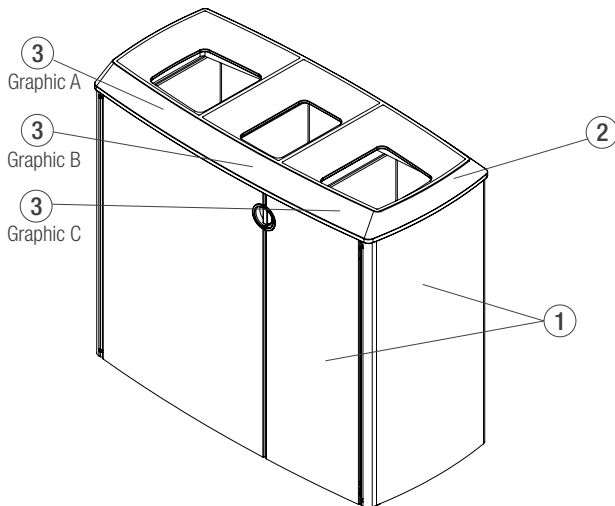
- Black     Blue     Green

**Cast Aluminum Powdercoat Finish**

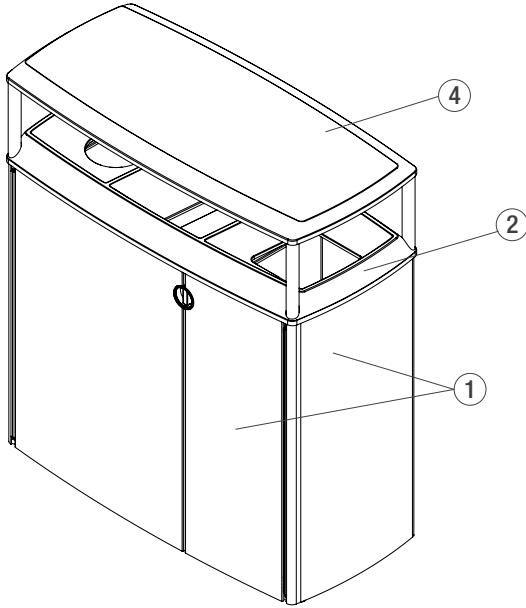
- Standard Texture from F+S Powdercoat Color Chart

- Custom RAL Powdercoat Color (subject to upcharge)

TRANSIT RECEPTACLE, TRI-STREAM WITH RECTANGULAR OPENINGS

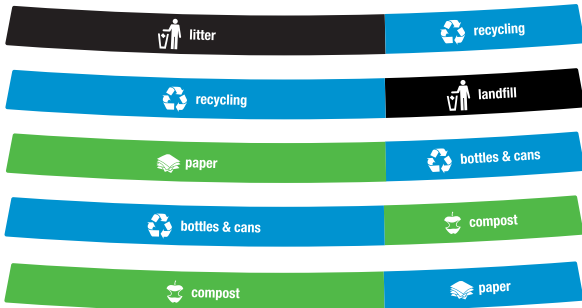


**TRANSIT RECEPTACLE, TRI-STREAM WITH WASTE SPECIFIC OPENINGS WITH RAIN COVER**



**GRAPHIC EXAMPLES**

Dual-Stream Graphics (SLTRA-4020): Examples



Tri-Stream Graphics, Waste Specific Openings (SLTRA-180)



Tri-Stream Graphics, Rectangular Openings (SLTRA-320): Examples



3

**Graphics Message & Background Color Options**

Please select a message and background color for Graphics; for dual-stream, SLTRA-4020, select A and B; for tri-stream, SLTRA-320, select A, B, and C. **NOTE:** All letters and symbols are white; specified color is for the graphic's background.

**Graphic A message**

**Graphic A background color**

(available for SLTRA-4020 and SLTRA-320 only)

- |   |                                |
|---|--------------------------------|
| <input type="checkbox"/> litter*        | <input type="checkbox"/> black |
| <input type="checkbox"/> landfill*      | <input type="checkbox"/> blue  |
| <input type="checkbox"/> recycling      | <input type="checkbox"/> green |
| <input type="checkbox"/> bottles & cans |                                |
| <input type="checkbox"/> paper          |                                |
| <input type="checkbox"/> compost        |                                |

**Graphic B message**

**Graphic B background color**

(available for SLTRA-4020 and SLTRA-320 only)

- |   |                                |
|---|--------------------------------|
| <input type="checkbox"/> litter*        | <input type="checkbox"/> black |
| <input type="checkbox"/> landfill*      | <input type="checkbox"/> blue  |
| <input type="checkbox"/> recycling      | <input type="checkbox"/> green |
| <input type="checkbox"/> bottles & cans |                                |
| <input type="checkbox"/> paper          |                                |
| <input type="checkbox"/> compost        |                                |

**Graphic C message**

**Graphic C background color**

(available for SLTRA-320 only)

- |   |                                |
|---|--------------------------------|
| <input type="checkbox"/> litter*        | <input type="checkbox"/> black |
| <input type="checkbox"/> landfill*      | <input type="checkbox"/> blue  |
| <input type="checkbox"/> recycling      | <input type="checkbox"/> green |
| <input type="checkbox"/> bottles & cans |                                |
| <input type="checkbox"/> paper          |                                |
| <input type="checkbox"/> compost        |                                |

\*Note: Litter and Landfill graphics are only available with black background color.

4

**Powdercoated Aluminum Rain Cover\***

- Yes
- No

*\*Note: Rain cover is only available for use with cast aluminum lids and is powdercoated to match.*

**Mounting Options**

- Freestanding with levelers
- Surface Mount\*
  - Add F+S stainless steel mounting hardware kit\*
  - Do not include F+S mounting hardware kit

*\*Hardware is required for surface mount litter receptacles. Mounting kits can be purchased from F+S for an additional charge.*

**NOTES**

---



---



---

Please send completed forms to [sales@forms-surfaces.com](mailto:sales@forms-surfaces.com) or contact us at 800.451.0410 with any questions.