

PROJECT NAME: _____

DATE: _____

JOB LOCATION: _____

COMPANY: _____

SPECIFIER: _____

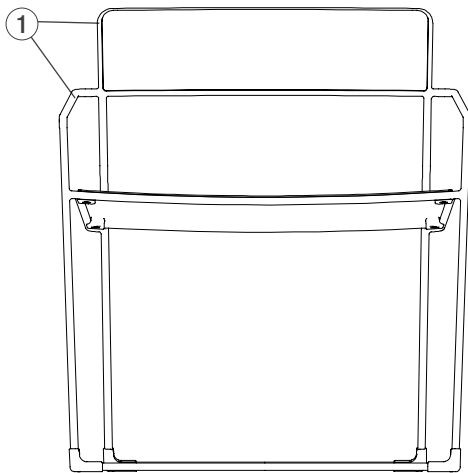
PLEASE USE ADOBE READER OR ADOBE ACROBAT TO FILL OUT AND SAVE FORM. USING OTHER PROGRAMS COULD RESULT IN UNSAVED DATA.

MODEL

QUANTITY	MODEL	
_____	SCLIN-L	Linia Lounge Chair

OPTIONS

LINIA LOUNGE CHAIR



① Frame Finish Options

Please select **one** option below and write in powdercoat color if applicable.

Stainless Steel Finish

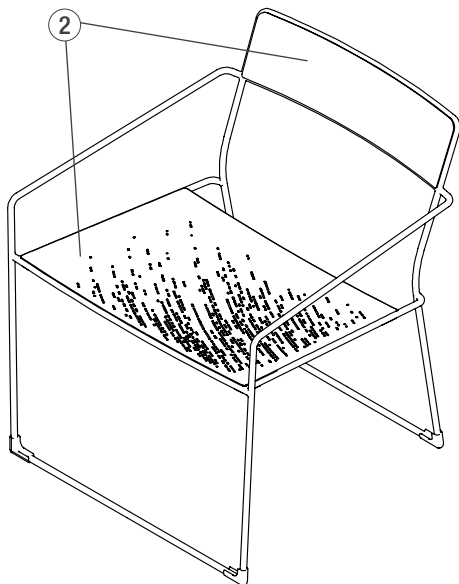
Electropolished

Powdercoat Color Options

Standard Texture from F+S Powdercoat Color Chart

Custom RAL Powdercoat Color (subject to upcharge)

LINIA LOUNGE CHAIR WITH SWEEP PERFORATION



② Seat/Back Powdercoat Options

Please select **one** option below and write in specified color.

Standard Texture from F+S Powdercoat Color Chart

Custom RAL Powdercoat Color (subject to upcharge)

Seat Perforation Options

Please select **one** option below.

Sweep Perforation

No Perforation

NOTES

Please send completed forms to sales@forms-surfaces.com or contact us at **800.451.0410** with any questions.