

PROJECT NAME: _____

DATE: _____

JOB LOCATION: _____

COMPANY: _____

SPECIFIER: _____

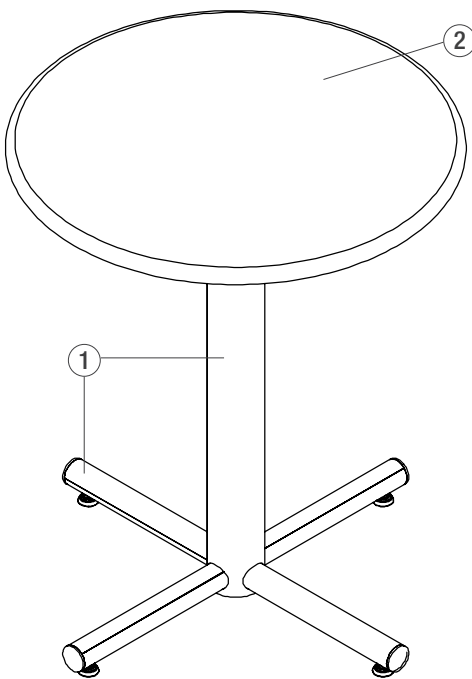
PLEASE USE ADOBE READER OR ADOBE ACROBAT TO FILL OUT AND SAVE FORM. USING OTHER PROGRAMS COULD RESULT IN UNSAVED DATA.

MODEL

QUANTITY	MODEL	
_____	SPCRO-24R24	Cross Table, 24" round top, 24" base
_____	SPCRO-24R30	Cross Table, 30" round top, 24" base
_____	SPCRO-24R36	Cross Table, 36" round top, 24" base
_____	SPCRO-36R42	Cross Table, 42" round top, 36" base
_____	SPCRO-24S36	Cross Table, 36" x 36" square top, 24" base

OPTIONS

**CROSS TABLE
24" BASE, 24" ROUND TOP**



① Column and Base Finish Options

Please select one option below and write in powdercoat color if applicable.

Stainless Steel Finishes

Satin

Powdercoat Color Options

Standard Texture from F+S Powdercoat Color Chart

Custom RAL Powdercoat Color (subject to upcharge)

② Table Top Finish Options

Please select one option below and write in powdercoat color if applicable.

Stainless Steel Finishes

Sandstone

Diamond

Satin

Powdercoat Color Options

Standard Texture from F+S Powdercoat Color Chart

Custom RAL Powdercoat Color (subject to upcharge)

Table Top Concentric Perforations

Concentric perforations Yes No
(subject to upcharge)

Umbrella Stand

Umbrella Stand Yes No
(subject to upcharge)

Mounting Options

- Freestanding
- Surface Mount*
 - Add F+S stainless steel mounting hardware kit*
 - Do not include F+S mounting kit

**Hardware is required for surface mount tables. Mounting kits can be purchased from F+S for an additional charge.*

NOTES

Please send completed forms to sales@forms-surfaces.com or contact us at **800.451.0410** with any questions.