

COLUMN TABLE

QUOTE/ORDER FORM

PROJECT NAME: _____

DATE: _____

JOB LOCATION: _____

COMPANY: _____

SPECIFIER: _____

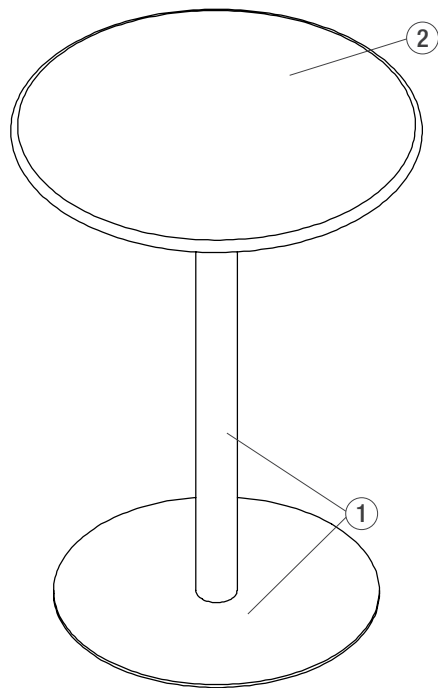
PLEASE USE ADOBE READER OR ADOBE ACROBAT TO FILL OUT AND SAVE FORM. USING OTHER PROGRAMS COULD RESULT IN UNSAVED DATA.

MODEL

QUANTITY	MODEL	
_____	SPCOL-T24R10	Column Table, 24" round top, 10.5" base, table height (surface mount only)
_____	SPCOL-T24R24	Column Table, 24" round top, 24" base, table height
_____	SPCOL-T24R30	Column Table, 30" round top, 24" base, table height
_____	SPCOL-T30R36	Column Table, 36" round top, 30" base, table height
_____	SPCOL-T30R42	Column Table, 42" round top, 30" base, table height
_____	SPCOL-T30S36	Column Table, 36" x 36" square top, 30" base, table height
_____	SPCOL-T30S42	Column Table, 30" x 42" rectangular top, 30" base, table height
_____	SPCOL-B10R24	Column Table, 24" round top, 10.5" base, bar height (surface mount only)
_____	SPCOL-B24R24	Column Table, 24" round top, 24" base, bar height
_____	SPCOL-B10R30	Column Table, 30" round top, 10.5" base, bar height (surface mount only)
_____	SPCOL-B24R30	Column Table, 30" round top, 24" base, bar height

OPTIONS

COLUMN TABLE
24" BASE, 30" ROUND TOP, BAR HEIGHT



1 Column and Base Finish Options

Please select one option below and write in powdercoat color if applicable.

Stainless Steel Finish

☐ Satin

Powdercoat Color Options

☐ Standard Texture from F+S Powdercoat Color Chart

☐ Custom RAL Powdercoat Color (subject to upcharge)

Table Top Concentric Perforations

☐ Yes* (subject to upcharge)

☐ No

*Only for round and square table tops.

2

Table Top Finish Options

Please select **one** option below and write in powdercoat color if applicable.

Stainless Steel Finishes

☐ Sandstone

☐ Diamond

☐ Satin

Powdercoat Color Options

☐ Standard Texture from F+S Powdercoat Color Chart

☐ Custom RAL Powdercoat Color (subject to upcharge)

Table Top Umbrella Hole

☐ Yes* (subject to upcharge)

☐ No

*Only for round and square table tops.

Mounting Options

☐ Freestanding

☐ Surface Mount*

☐ Add F+S stainless steel mounting hardware kit*

☐ Do not include F+S mounting kit

*Hardware is required for surface mount benches. Mounting kits can be purchased from F+S for an additional charge.

NOTES

Please send completed forms to sales@forms-surfaces.com or contact us at 800.451.0410 with any questions.