

PROJECT NAME: _____

DATE: _____

JOB LOCATION: _____

COMPANY: _____

SPECIFIER: _____

PLEASE USE ADOBE READER OR ADOBE ACROBAT TO FILL OUT AND SAVE FORM. USING OTHER PROGRAMS COULD RESULT IN UNSAVED DATA.

MODEL

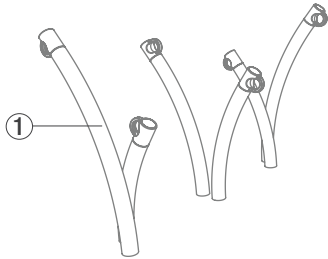
QUANTITY

MODEL

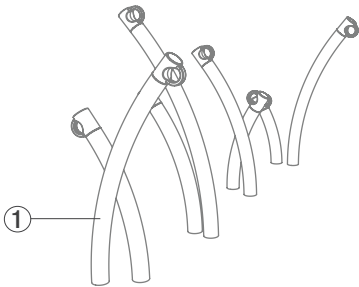
_____	CONFIGURATION A-CIP	Bike Garden Bike Rack, cast-in-place, (1) b, (2) c, (1) d, (2) e
_____	CONFIGURATION B-CIP	Bike Garden Bike Rack, cast-in-place, (1) a, (1) b, (2) c, (1) d, (2) e, (1) f
_____	CONFIGURATION C-CIP	Bike Garden Bike Rack, cast-in-place, (1) a, (2) b, (2) c, (2) d, (2) e, (1) f
_____	CONFIGURATION A-SM	Bike Garden Bike Rack, surface mount, (1) b, (2) c, (1) d, (2) e
_____	CONFIGURATION B-SM	Bike Garden Bike Rack, surface mount, (1) a, (1) b, (2) c, (1) d, (2) e, (1) f
_____	CONFIGURATION C-SM	Bike Garden Bike Rack, surface mount, (1) a, (2) b, (2) c, (2) d, (2) e, (1) f

OPTIONS

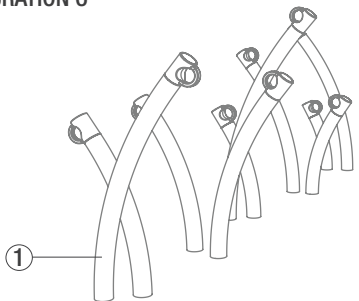
CONFIGURATION A



CONFIGURATION B



CONFIGURATION C



1 Finish Options

Please select one option below and write in powdercoat color if applicable.

Stainless Steel Finish

Satin

Powdercoat Color Options

Standard Texture from F+S Powdercoat Color Chart

Custom RAL Powdercoat Color (subject to upcharge)

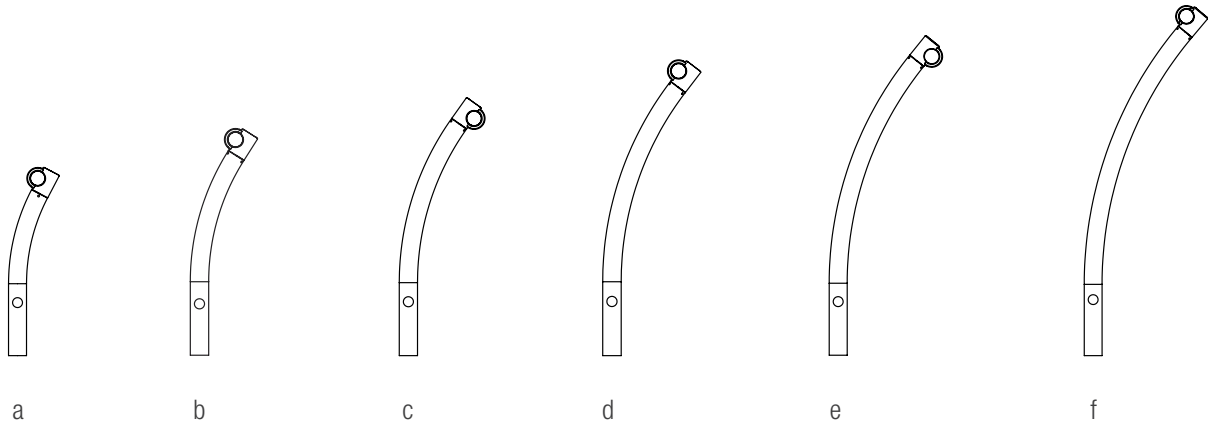
Surface Mount Hardware Options

Add F+S stainless steel mounting hardware kit*

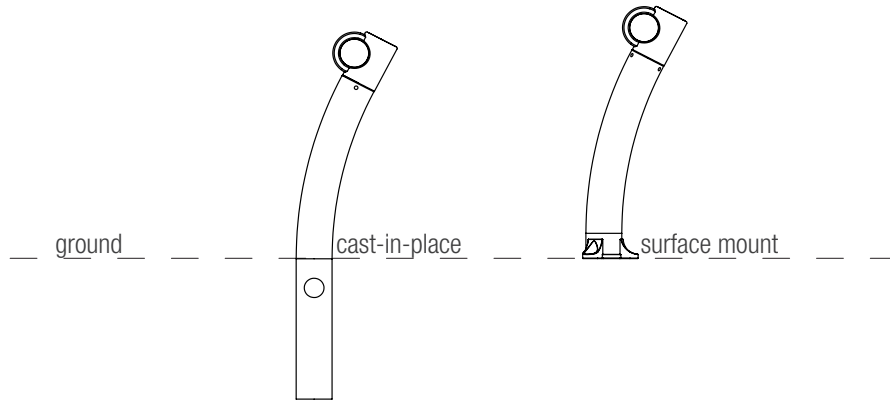
Do not include F+S mounting kit

**Hardware is required for surface mount bike racks. Mounting kits can be purchased from F+S for an additional charge.*

STEM PROFILES (cast-in-place shown)



MOUNTING OPTIONS



NOTES

Please send completed forms to sales@forms-surfaces.com or contact us at 800.451.0410 with any questions.