

PROJECT NAME: \_\_\_\_\_

DATE: \_\_\_\_\_

JOB LOCATION: \_\_\_\_\_

COMPANY: \_\_\_\_\_

SPECIFIER: \_\_\_\_\_

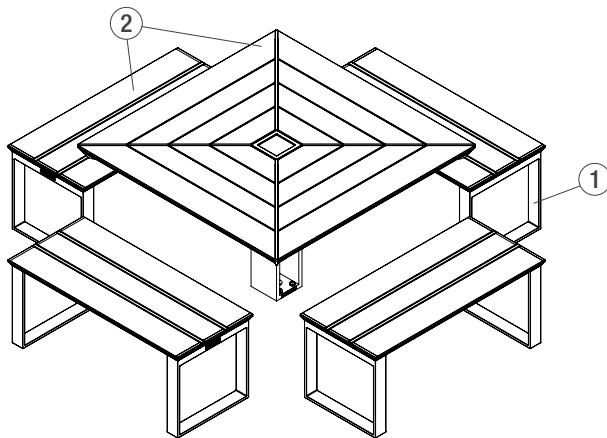
PLEASE USE ADOBE READER OR ADOBE ACROBAT TO FILL OUT AND SAVE FORM. USING OTHER PROGRAMS COULD RESULT IN UNSAVED DATA.

**MODEL**

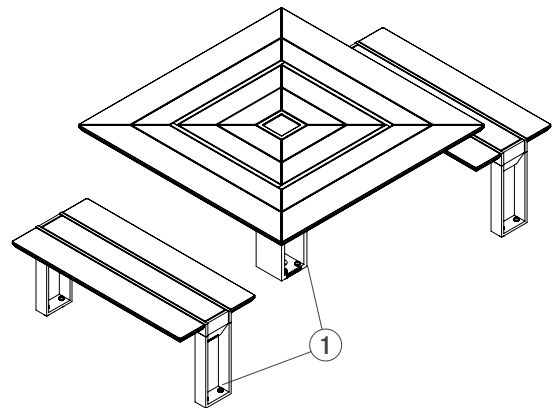
QUANTITY	MODEL	
_____	STAPX-OBA	Apex Table, aluminum slats
_____	STAPX-OBC	Apex Table, FSC® 100% Cumaru hardwood slats
_____	STAPX-2BA	Apex Table Ensemble, two surface mount benches with narrow legs, aluminum slats
_____	STAPX-2BC	Apex Table Ensemble, two surface mount benches with narrow legs, FSC® 100% Cumaru hardwood slats
_____	STAPX-2BQA	Apex Table Ensemble, two freestanding benches with square legs, aluminum slats
_____	STAPX-2BQC	Apex Table Ensemble, two freestanding benches with square legs, FSC® 100% Cumaru hardwood slats
_____	STAPX-3BA	Apex Table Ensemble, three surface mount benches with narrow legs, ADA option, aluminum slats
_____	STAPX-3BC	Apex Table Ensemble, three surface mount benches with narrow legs, ADA option, FSC® 100% Cumaru hardwood slats
_____	STAPX-3BQA	Apex Table Ensemble, three freestanding benches with square legs, ADA option, aluminum slats
_____	STAPX-3BQC	Apex Table Ensemble, three freestanding benches with square legs, ADA option, FSC® 100% Cumaru hardwood slats
_____	STAPX-4BA	Apex Table Ensemble, four surface mount benches with narrow legs, aluminum slats
_____	STAPX-4BC	Apex Table Ensemble, four surface mount benches with narrow legs, FSC® 100% Cumaru hardwood slats
_____	STAPX-4BQA	Apex Table Ensemble, four freestanding benches with square legs, aluminum slats
_____	STAPX-4BQC	Apex Table Ensemble, four freestanding benches with square legs, FSC® 100% Cumaru hardwood slats

**OPTIONS**

**APEX TABLE ENSEMBLE, FOUR FREESTANDING BENCHES WITH SQUARE LEGS, ALUMINUM SLATS**



**APEX TABLE ENSEMBLE, TWO SURFACE MOUNT BENCHES WITH NARROW LEGS, FSC® 100% CUMARU HARDWOOD SLATS**



**Powdercoat Color Options**

Please select **one** option for each component below and write in specified color.

**① Bench & Table Frames**

- Standard Texture from F+S Powdercoat Chart \_\_\_\_\_
- Custom RAL Powdercoat Color (subject to upcharge) \_\_\_\_\_

**② Aluminum Slats (when specified)**

- Standard Texture from F+S Powdercoat Chart \_\_\_\_\_
- Custom RAL Powdercoat Color (subject to upcharge) \_\_\_\_\_

**Umbrella Hole**

Please select **one** option below

- No Umbrella Hole
- Umbrella Hole and Sleeve (subject to upcharge)
- Umbrella Hole for use with Soleris Sunshade (subject to upcharge)

**Surface Mount Hardware Options**

- Add F+S stainless steel mounting hardware kit\*
- Do not include F+S mounting hardware kit

*\*Hardware is required for surface mount tables & chairs. Mounting kits can be purchased from F+S for an additional charge.*

**NOTES**

---



---



---

Please send completed forms to [sales@forms-surfaces.com](mailto:sales@forms-surfaces.com) or contact us at **800.451.0410** with any questions.

FSC License Code: FSC-C004453