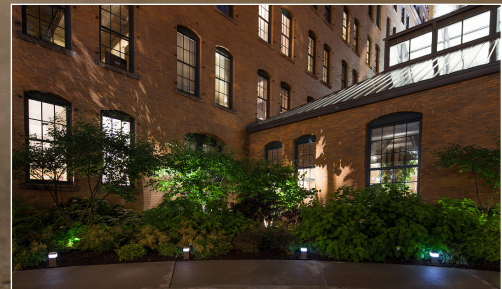
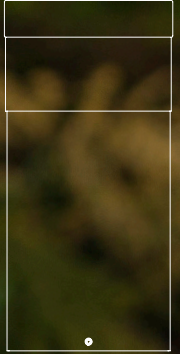




RINCON™ PATHWAY BOLLARD

PRODUCT DATA





RINCON™ PATHWAY BOLLARD

PRODUCT DATA

The **Rincon Pathway Bollard** blends a minimalist form, stainless steel construction, and the unparalleled performance of Cree® LEDs. Precision manufacturing gives shape to the 4.5" square profile and creates a virtually seamless appearance. Coordinating Rincon Bollards and Rincon Pedestrian Lighting make it easy to meet different lighting requirements while carrying the Rincon aesthetic across a project.

MATERIAL & CONSTRUCTION DETAILS

INSTALLATION & MAINTENANCE

MATERIALS & FINISHES	DRIVERS	INSTALLATION
<ul style="list-style-type: none"> Head consists of a 0.25" (6.4 mm) thick white-frosted acrylic lens and a cast stainless steel cap. Body is constructed from 0.06" (1.5 mm) stainless steel, with Satin finish and Ceramiloc treatment. See below for details For optional powdercoat colors see the Forms+Surfaces Powdercoat Chart. Custom RAL colors are available for an upcharge. 	<ul style="list-style-type: none"> LED driver includes high efficiency, constant output current, with over-voltage, short circuit, and overload protection. LED driver input power is 100-277V. Driver has 0-10V dimming capabilities. LED driver certifications include: IP66 (waterproof) enclosure, and Class 2 rated output (UL8750) 	<ul style="list-style-type: none"> Standard mounting is surface mount with 3/8"-16 x 8" J-bolt anchors. 3/8" thick stainless steel base plate is slotted for rotational capability. Installation of a surge protector as part of each units wiring is recommended. Stainless steel mounting hardware sold separately. Templates are available upon request.
LED LIGHT ENGINE		MAINTENANCE
<ul style="list-style-type: none"> Custom LED board with Cree® LEDs. Features advanced LED technology with 14W, 3000K warm white and 4000K neutral white LEDs. 		<ul style="list-style-type: none"> Metal surfaces can be cleaned as needed using a soft cloth or brush with warm water and a mild detergent. Avoid abrasive cleaners.

CERAMILOC TREATMENT

Ceramiloc is an invisible surface treatment that offers significantly enhanced protection from weather and graffiti and increases the maintenance ease of stainless steel. Ceramiloc combines ceramic durability with an unparalleled ability to lock out water spots, fingerprints, graffiti and more. Patented technology bonds nano-silica particles to the surface of the stainless steel. The treatment minimally alters the surface appearance of the stainless and offers numerous benefits:

- **Easily Cleaned:** The Ceramiloc treatment creates a surface that simultaneously resists fingerprints and is easy to clean. Water spots, grease marks and more can be quickly wiped away. It also creates an "anti-graffiti" surface – even permanent marker is easily removed with a clean microfiber towel and water.
- **Durable:** Ceramiloc-treated materials are abrasion- and scratch-resistant. The treatment is permanent, UV stable, and will not degrade or discolor over time.
- **Environmentally Sound:** The Ceramiloc treatment is a no-VOC, water-based process. Because Ceramiloc surfaces are so easily maintained, cleaning solutions and maintenance are kept to a minimum.

LAMP DESCRIPTIONS

LED ENGINE	DESCRIPTION	COLOR TEMPERATURE	LUMINAIRE LUMENS*	B.U.G. RATING	STARTING TEMPERATURE °C
3000K LED	14W custom LED light engine	3000K	780	B0-U3-G1	-30
4000K LED	14W custom LED light engine	4000K	780	B0-U3-G1	-30

*LED lumens represents the absolute photometry for the luminaire, and indicates the lumens out of the entire fixture.

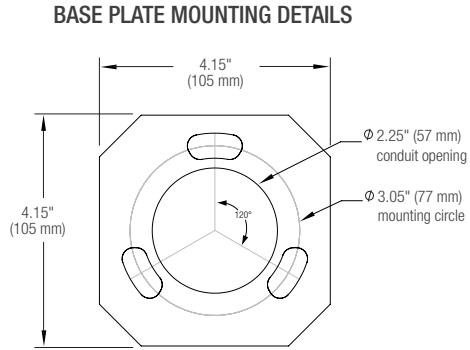
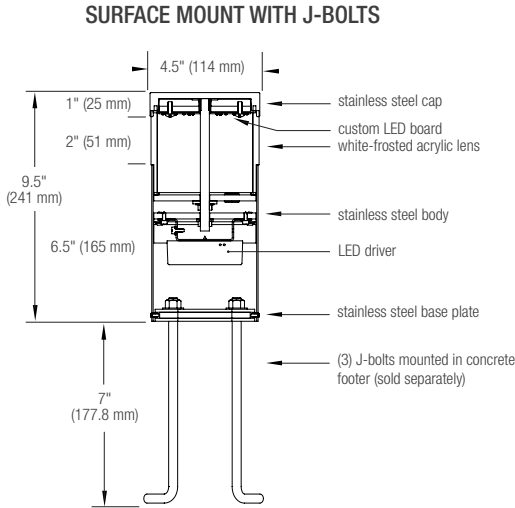
NOTE: Polar candela and isofootcandle plots can be found on the Rincon Pathway Bollard product page on our website.



RINCON™ PATHWAY BOLLARD

PRODUCT DATA

NOMINAL DIMENSIONS



CERTIFICATION

- ETL and C-ETL listed for wet locations.

ENVIRONMENTAL CONSIDERATIONS

- Please refer to the Rincon Pathway Bollard Environmental Data Sheets for detailed environmental impact information.
- Rincon Pathway Bollard has high recycled content and is highly recyclable.
- Powdercoat finishes are no- or low-VOC, depending on color.
- Low maintenance.

MODEL NUMBERS AND DESCRIPTIONS

MODEL	DESCRIPTION
LBRNP-LED	Rincon Pathway Bollard, LED

PRODUCT OPTIONS

The following options are available for an upcharge

Add powdercoat color from Forms+Surfaces Powdercoat Chart	Custom RAL powdercoat color
Add stainless steel mounting hardware	

LEAD TIME: 6 to 8 weeks. Shorter lead times may be available upon request. Please contact us to discuss your specific timing requirements.

PRICING: Please contact us at **800.451.0410** or **sales@forms-surfaces.com**. At Forms+Surfaces, we design, manufacture and sell our products directly to you. Our sales team is available to assist you with questions about our products, requests for quotes, and orders. Territory Managers are located worldwide to assist with the front-end specification and quoting process, and our in-house Project Sales Coordinators follow your project through from the time you place an order to shipment.

TO ORDER SPECIFY: Quantity, finish, and lamp. Quote/Order Forms are available on our website to lead you through the specification process in a simple checkbox format.

NOTE: Because different computers will render colors and textures differently, actual colors and finishes may vary slightly from those shown here.

T 800.451.0410 | www.forms-surfaces.com

FORMS+SURFACES®

© 2021 Forms+Surfaces® | All dimensions are nominal. Specifications and pricing subject to change without notice. For the most current version of this document, please refer to our website at www.forms-surfaces.com.