



KNIGHT™ TABLE ENSEMBLE

PRODUCT DATA





KNIGHT™ TABLE ENSEMBLE

PRODUCT DATA

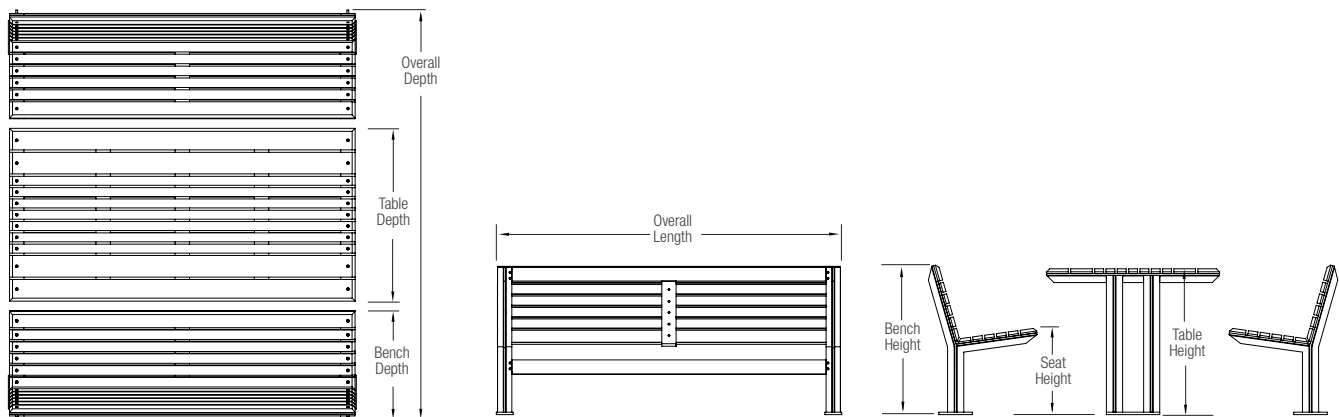
The **Knight Table Ensemble** combines understated refinement, rustproof construction, and high-performance materials. Ensembles include a table and two backed or backless benches; ADA-compliant variations are also an option. All-aluminum frames have beautifully detailed polished edges; beveled slats in FSC® 100% Cumaru hardwood or extruded aluminum complete the look. Knight Table Ensembles match the rest of the Knight family: backed and backless benches, a litter receptacle, illuminated and security bollards, and pedestrian lighting.

MATERIAL & CONSTRUCTION DETAILS

INSTALLATION & MAINTENANCE

CONFIGURATIONS	FRAMES	INSTALLATION
<ul style="list-style-type: none"> • Knight Table Ensembles can be specified with backed or backless benches. • Benches can be configured with an ADA option, which includes one side with a shorter, 36" bench, permitting unhindered wheelchair access to the table. • The Knight Table Ensemble can be used with our Soleris Sunshade. 	<ul style="list-style-type: none"> • Knight table and bench frames are made of solid aluminum. Outer frame edges are polished; inner surfaces have a powdercoat finish. All surfaces are clear-coated. • See the Forms+Surfaces Powdercoat Chart for details. Custom RAL colors are available for an upcharge. 	<ul style="list-style-type: none"> • Knight Table Ensembles must be surface mounted. Stainless steel anchors and mounting bolts are sold separately.
ADA COMPLIANCE	SLATS	MAINTENANCE
<ul style="list-style-type: none"> • When the ADA option is used, the Knight Table Ensemble can be installed to comply with the applicable ADA Standards: 226 for Dining and Work Surfaces, 305 for Clear Floor or Ground Space, 306 for Knee and Toe Clearance, and 902 for Dining Surfaces and Work Surfaces. 	<ul style="list-style-type: none"> • Benches and table tops are available with FSC® 100% Cumaru hardwood slats. (FSC License Code: FSC-C004453) • On Cumaru hardwood tables, table top slats are wider at table's outer edges to allow ample room for plates, drinks, and other items. • Cumaru hardwood slats offer superior resistance to moisture, insects, fire, vandalism, and decay; natural oil finish enhances the wood's rich color. • Extruded aluminum slats with zinc end caps feature a lightly grooved surface for enhanced appearance and non-slip feel. Aluminum slats and zinc end caps are powdercoated. See the Forms+Surfaces Powdercoat Chart for details. Custom RAL colors are available for an upcharge. 	<ul style="list-style-type: none"> • Metal surfaces can be cleaned as needed using a soft cloth or brush with warm water and a mild detergent. Avoid abrasive cleaners. • Cumaru hardwood slats can be maintained by re-oiling as needed with Penofin® hardwood finish or similar products.

NOMINAL DIMENSIONS



BACKED TABLE ENSEMBLE
(wood slat configuration shown)

MODEL	OVERALL LENGTH	OVERALL DEPTH	TABLE DEPTH	BENCH DEPTH	SEAT HEIGHT	BENCH HEIGHT	TABLE HEIGHT
STKNI-72BW	72.0" (1,829 mm)	85.3" (2,167 mm)	37.0" (940 mm)	22.6" (574 mm)	17.4" (442 mm)	31.1" (790 mm)	30.4" (772 mm)
STKNI-72NW	72.0" (1,829 mm)	79.5" (2,019 mm)	37.0" (940 mm)	19.8" (503 mm)	18" (457 mm)	18" (457 mm)	30.4" (772 mm)
STKNI-72BA	72.0" (1,829 mm)	85.3" (2,167 mm)	37.0" (940 mm)	22.6" (574 mm)	17.4" (442 mm)	31.1" (790 mm)	30.4" (772 mm)
STKNI-72NA	72.0" (1,829 mm)	79.5" (2,019 mm)	37.0" (940 mm)	19.8" (503 mm)	18" (457 mm)	18" (457 mm)	30.4" (772 mm)

T 800.451.0410 | www.forms-surfaces.com

FORMS+SURFACES®

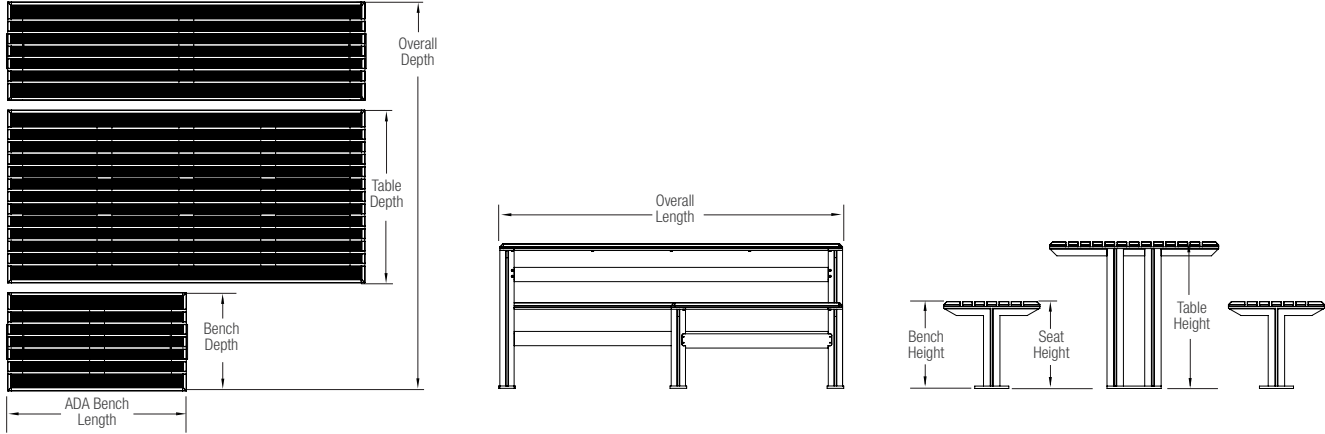
© 2022 Forms+Surfaces® | All dimensions are nominal. Specifications and pricing subject to change without notice. For the most current version of this document, please refer to our website at www.forms-surfaces.com.



KNIGHT™ TABLE ENSEMBLE

PRODUCT DATA

NOMINAL DIMENSIONS (CONTINUED)



BACKLESS TABLE ENSEMBLE, ADA OPTION
(aluminum slat configuration shown)

MODEL	OVERALL LENGTH	ADA BENCH LENGTH	OVERALL DEPTH	TABLE DEPTH	BENCH DEPTH	SEAT HEIGHT	BENCH HEIGHT	TABLE HEIGHT
STKNI-72BW-ADA	72.0" (1,829 mm)	36.0" (914 mm)	83.7" (2,126 mm)	37.0" (940 mm)	21.9" (556 mm)	17.9" (455 mm)	31.1" (790 mm)	30.4" (772 mm)
STKNI-72NW-ADA	72.0" (1,829 mm)	36.0" (914 mm)	79.5" (2,019 mm)	37.0" (940 mm)	19.8" (503 mm)	18" (457 mm)	18" (457 mm)	30.4" (772 mm)
STKNI-72BA-ADA	72.0" (1,829 mm)	36.0" (914 mm)	83.7" (2,126 mm)	37.0" (940 mm)	21.9" (556 mm)	17.9" (455 mm)	31.1" (790 mm)	30.4" (772 mm)
STKNI-72NA-ADA	72.0" (1,829 mm)	36.0" (914 mm)	79.5" (2,019 mm)	37.0" (940 mm)	19.8" (503 mm)	18" (457 mm)	18" (457 mm)	30.4" (772 mm)

ENVIRONMENTAL CONSIDERATIONS

- Knight aluminum frames have up to 75% recycled content.
- All Knight metal components are fully recyclable.
- All Knight wood is FSC® 100%.
- Standard powdercoat finishes are no-VOC; non-standard powdercoat finishes are no- or low-VOC, depending on color.
- Low maintenance; easy to disassemble.

MODEL NUMBERS AND DESCRIPTIONS

MODEL	DESCRIPTION
STKNI-72BW	Knight Table Ensemble, backed benches, FSC® 100% Cumaru hardwood slats
STKNI-72BW-ADA	Knight Table Ensemble with ADA option, backed benches, FSC® 100% Cumaru hardwood slats
STKNI-72BA	Knight Table Ensemble, backed benches, aluminum slats
STKNI-72BA-ADA	Knight Table Ensemble with ADA option, backed benches, aluminum slats
STKNI-72NW	Knight Table Ensemble, backless benches, FSC® 100% Cumaru hardwood slats
STKNI-72NW-ADA	Knight Table Ensemble with ADA option, backless benches, FSC® 100% Cumaru hardwood slats
STKNI-72NA	Knight Table Ensemble, backless benches, aluminum slats
STKNI-72NA-ADA	Knight Table Ensemble with ADA option, backless benches, aluminum slats



KNIGHT™ TABLE ENSEMBLE

PRODUCT DATA

PRODUCT OPTIONS

The following options are available for an upcharge

Umbrella hole and sleeve - for use with the Soleris Sunshade	Custom RAL powdercoat color
Stainless steel anchors and mounting bolts	

LEAD TIME: 6 to 8 weeks. Shorter lead times may be available upon request. Please contact us to discuss your specific timing requirements.

PRICING: Please contact us at **800.451.0410** or **sales@forms-surfaces.com**. At Forms+Surfaces, we design, manufacture and sell our products directly to you. Our sales team is available to assist you with questions about our products, requests for quotes, and orders. Territory Managers are located worldwide to assist with the front-end specification and quoting process, and our in-house Project Sales Coordinators follow your project through from the time you place an order to shipment.

TO ORDER SPECIFY: Quantity, model, and powdercoat color for frame. Quote/Order Forms are available on our website to lead you through the specification process in a simple checkbox format.