



COLUMN TABLE

PRODUCT DATA





COLUMN TABLE

PRODUCT DATA

Forms+Surfaces' **Column Tables** are constructed entirely of stainless steel. While remaining simple in design, these exceptionally durable and corrosion-resistant tables have been developed for effortless integration into any indoor or outdoor space. Table bases, columns, and tops are available in natural stainless steel finishes or may be specified in a wide range of powdercoat colors.

MATERIAL & CONSTRUCTION DETAILS

INSTALLATION & MAINTENANCE

TABLE TOP FINISHES <ul style="list-style-type: none"> Standard stainless steel finishes are Sandstone, Diamond, and Satin. See the Forms+Surfaces Powdercoat Chart for details. Custom RAL colors are available for an upcharge. 	COLUMNS & BASES <ul style="list-style-type: none"> Columns are made of 3" diameter tubular stainless steel. Bases are made of stainless steel plate and are available in 10.5", 24" and 30" diameters. Standard stainless steel finish is radial Satin. See the Forms+Surfaces Powdercoat Chart for details. Custom RAL colors are available for an upcharge. 	INSTALLATION <ul style="list-style-type: none"> Surface mounting is required for tables with 10.5" base plates and recommended for all umbrella installations. Tables with 24" or 30" base plates may be freestanding or surface mounted with embedded anchors. Stainless steel anchors and mounting bolts are sold separately.
TABLE TOP CONSTRUCTION <ul style="list-style-type: none"> Table tops are made of spun stainless steel with a welded stainless steel subframe and overall thickness of 1". A concentric pattern of 1/4" round perforations is available on round or square table tops for an upcharge. 	UMBRELLA HOLE <ul style="list-style-type: none"> Table tops may be specified with or without a center hole to receive a 1.5" (38 mm) - 1.75" (44.5 mm) diameter umbrella pole. When an umbrella hole is specified, a nylon collar and cap are included. 	MAINTENANCE <ul style="list-style-type: none"> Surfaces can be cleaned as needed using a soft cloth or brush with warm water and a mild detergent. Avoid abrasive cleaners.

NOMINAL DIMENSIONS

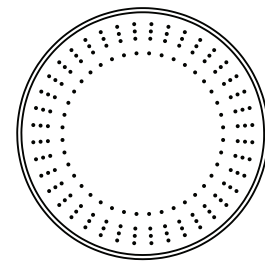
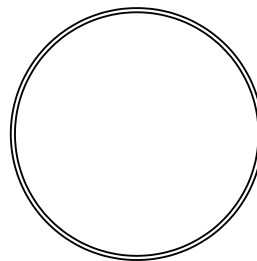
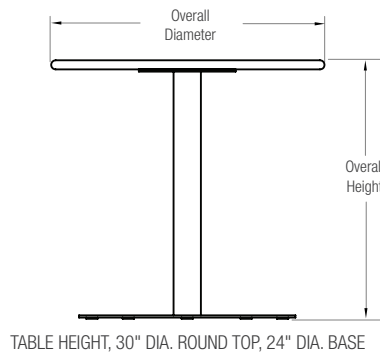


TABLE HEIGHT

MODEL	OVERALL DIAMETER	OVERALL HEIGHT	WEIGHT
SPCOL-T10R24	24.0" (610 mm)	28.3" (719 mm)	34.1 lbs (15.5 kg)
SPCOL-T24R24	24.0" (610 mm)	28.3" (719 mm)	59.7 lbs (27.0 kg)
SPCOL-T24R30	30.0" (762 mm)	28.3" (719 mm)	65.2 lbs (29.6 kg)
SPCOL-T30R36	36.0" (914 mm)	28.3" (719 mm)	89.9 lbs (40.8 kg)
SPCOL-T30R42	42.0" (1067 mm)	28.3" (719 mm)	97.4 lbs (44.2 kg)
SPCOL-T30S36	36.0" (914 mm) square	28.6" (726 mm)	98.8 lbs (44.8 kg)
SPCOL-T30S042	30.0" (726 mm) x 42.0" (1067 mm) rectangle	28.6" (726 mm)	98.4 lbs (44.6 kg)



COLUMN TABLE

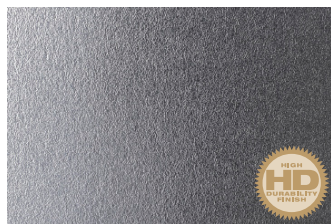
PRODUCT DATA

BAR HEIGHT

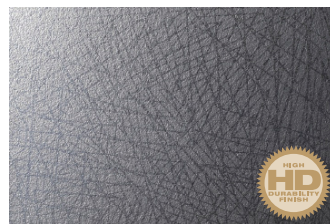
MODEL	OVERALL DIAMETER	OVERALL HEIGHT	WEIGHT
SPCOL-B10R24	24.0" (610 mm)	41.8" (1062 mm)	37.2 lbs (16.9 kg)
SPCOL-B24R24	24.0" (610 mm)	41.8" (1062 mm)	62.7 lbs (28.4 kg)
SPCOL-B10R30	30.0" (762 mm)	41.8" (1062 mm)	42.7 lbs (19.4 kg)
SPCOL-B24R30	30.0" (762 mm)	41.8" (1062 mm)	68.2 lbs (30.9 kg)

STAINLESS STEEL TABLE TOP FINISH OPTIONS

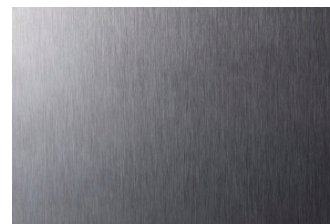
Stainless steel is available in a variety of distinctive finishes, including standard and High-Durability options. High-Durability finishes—designated by the “HD” logo below—are manufactured in a process that creates a work-hardened surface with enhanced resistance to abrasion and wear.



SANDSTONE



DIAMOND



SATIN

ENVIRONMENTAL CONSIDERATIONS

- Please refer to the Column Table Environmental Data Sheet for detailed environmental impact information.
- Column Tables have high recycled content and are fully recyclable.
- Standard powdercoat finishes are no-VOC; non-standard powdercoat finishes are no- or low-VOC, depending on color.
- Low maintenance.

MODEL NUMBERS AND DESCRIPTIONS

MODEL	DESCRIPTION
SPCOL-T10R24	Column Table, 24" round top, 10.5" base, table height (surface mount only)
SPCOL-T24R24	Column Table, 24" round top, 24" base, table height
SPCOL-T24R30	Column Table, 30" round top, 24" base, table height
SPCOL-T30R36	Column Table, 36" round top, 30" base, table height
SPCOL-T30R42	Column Table, 42" round top, 30" base, table height
SPCOL-T30S36	Column Table, 36" x 36" square top, 30" base, table height
SPCOL-T30S42	Column Table, 30" x 42" rectangular top, 30" base, table height
SPCOL-B10R24	Column Table, 24" round top, 10.5" base, bar height (surface mount only)
SPCOL-B24R24	Column Table, 24" round top, 24" base, bar height
SPCOL-B10R30	Column Table, 30" round top, 10.5" base, bar height (surface mount only)
SPCOL-B24R30	Column Table, 30" round top, 24" base, bar height



COLUMN TABLE

PRODUCT DATA

PRODUCT OPTIONS

The following options are available for an upcharge

Umbrella hole	Add powdercoat color from Forms+Surfaces Powdercoat Chart
Stainless steel anchors and mounting bolts	Custom RAL powdercoat color (for table top finish)
Concentric pattern of 1/4" round perforations for table tops	Custom RAL powdercoat color (for column and base)

LEAD TIME: 6 to 8 weeks. Shorter lead times may be available upon request. Please contact us to discuss your specific timing requirements.

PRICING: Please contact us at **800.451.0410** or **sales@forms-surfaces.com**. At Forms+Surfaces, we design, manufacture and sell our products directly to you. Our sales team is available to assist you with questions about our products, requests for quotes, and orders. Territory Managers are located worldwide to assist with the front-end specification and quoting process, and our in-house Project Sales Coordinators follow your project through from the time you place an order to shipment.

TO ORDER SPECIFY: Quantity, model, stainless steel finish or powdercoat option for table top, with or without concentric perforations, stainless steel Satin or powdercoat color for base, freestanding or surface mount, and with or without umbrella hole. Quote/Order Forms are available on our website to lead you through the specification process in a simple checkbox format.

NOTE: Because different computers will render colors and textures differently, actual colors and finishes may vary from those shown here.