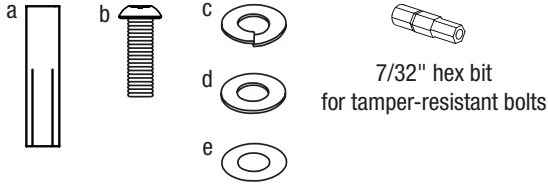


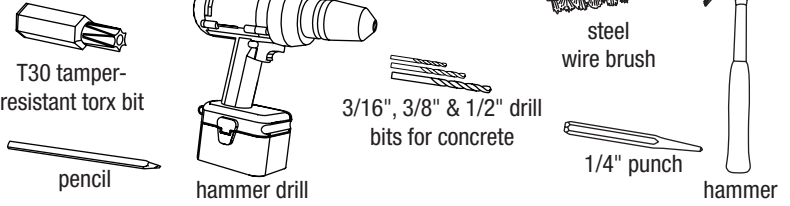
# TENZA™ CHARGING STATION

36" SURFACE MOUNT INSTALLATION INSTRUCTIONS

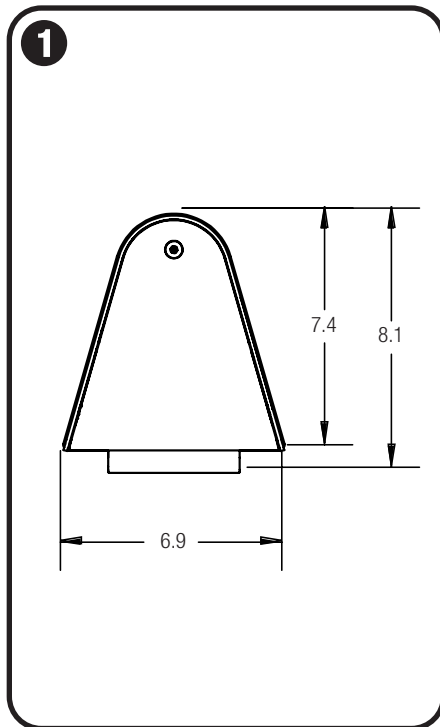
## MOUNTING KIT (SOLD SEPARATELY)



## TOOLS NEEDED

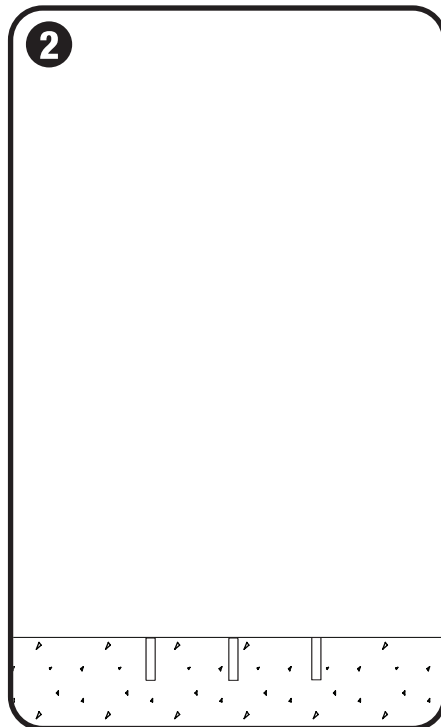


## STEP BY STEP FOR ALL 36" TENZA CHARGING STATIONS



### Mark hole locations

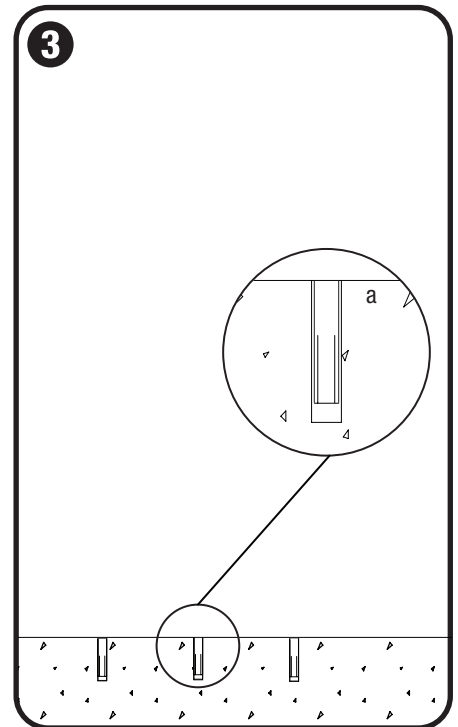
- Place template in desired location. Mark center of each hole location (three total) with a pencil.



### Drill holes

- Use hammer drill to drill 1-7/8" deep x 1/2" diameter anchor hole at each marked location using a 1/2" drill bit suitable for concrete drilling.

NOTE: Forms+Surfaces recommends starting holes with 3/16" diameter drill bit followed by 3/8" and finally 1/2" for maximum accuracy.



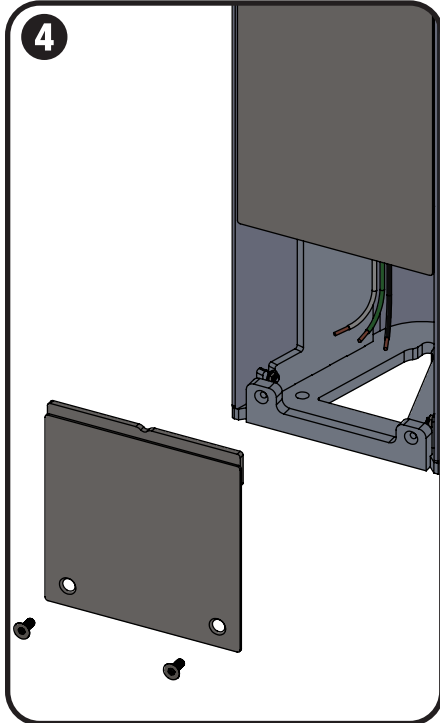
### Insert and set anchors

- Use compressed air and steel wire brush to clean each anchor hole.
- Insert 3/8"-16 x 1-1/2" anchor (a) into each anchor hole and use hammer to tap anchor tops flush with ground level.
- Use 1/4" punch and hammer to set anchors by driving down the center of each anchor until it stops.

# TENZA™ CHARGING STATION

36" SURFACE MOUNT INSTALLATION INSTRUCTIONS

## STEP BY STEP FOR ALL 36" TENZA CHARGING STATIONS

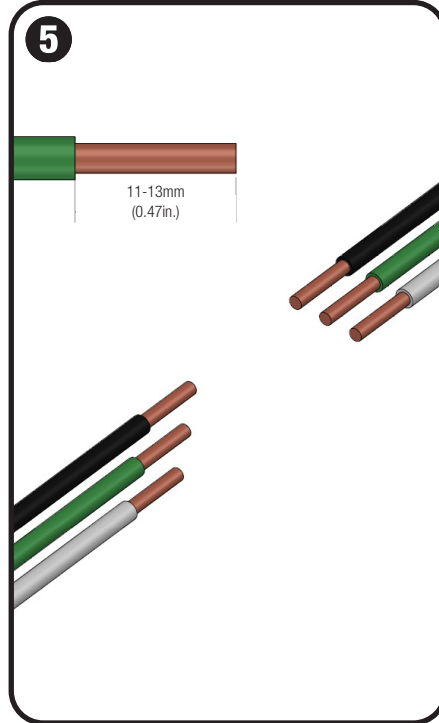


### Locate wires

Note: Installation should be performed only by qualified individuals.

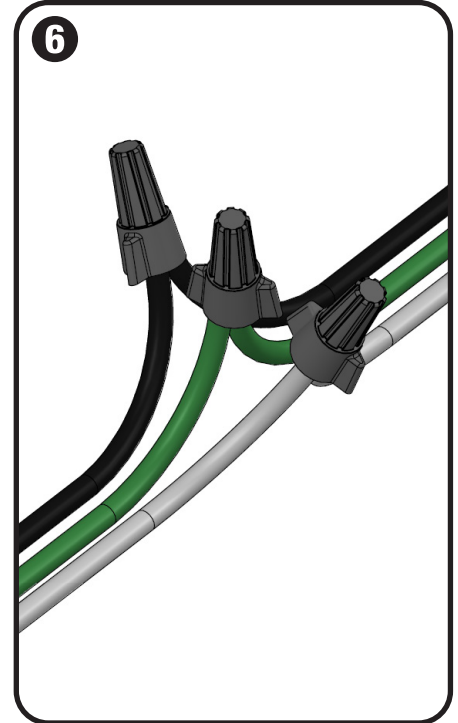
- Before proceeding with wiring of fixture, check to ensure that all applicable site wiring and safety codes have been followed.
- Remove two bolts on access door at base of charging station with T30 security hex bit, and remove access door.
- Locate wires at base of charging station. Ensure power supply is shut off and circuit being used is isolated.

**Caution: Installation of a surge protector as part of each unit's wiring is recommended.**



### Prepare wires

- Prepare wiring from site junction box and charging station by stripping and removing 11-13mm (.47") of insulation.  
Note: Wire used should be 22-14 AWG copper conductors.



### Connect wires

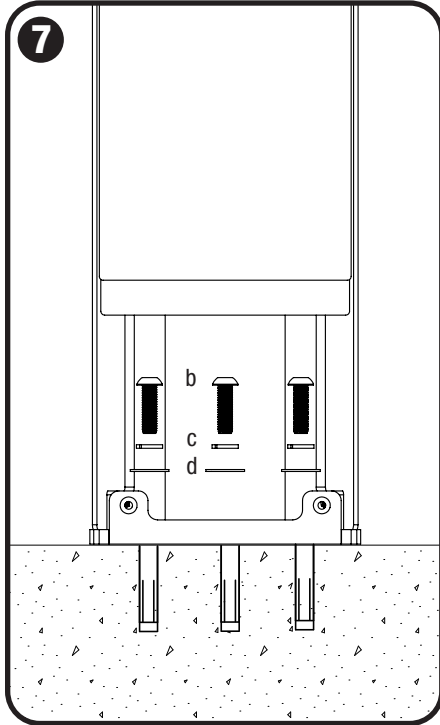
- Insert ground (green), neutral (white), and positive (black) wires into wire nuts, being sure to match wire color codes from junction box to fixture.
- Tighten wire nuts until exposed wire ends are below bottom of wire nut.
- Inspect all wiring and connections before turning power supply on.

**Caution: Charging station rated for 120 VAC power.**

# TENZA™ CHARGING STATION

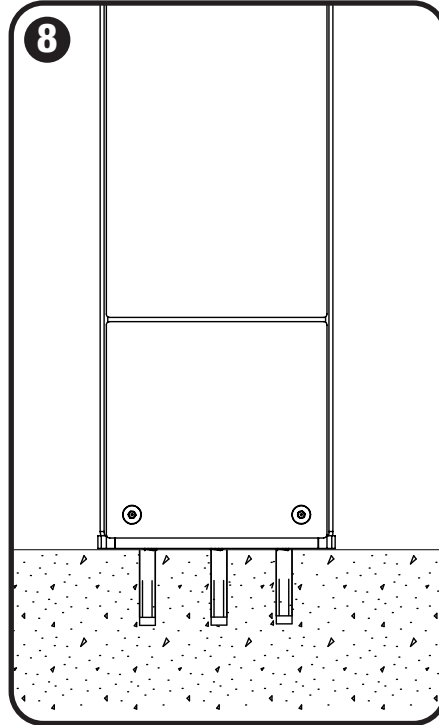
36" SURFACE MOUNT INSTALLATION INSTRUCTIONS

## STEP BY STEP FOR ALL 36" TENZA CHARGING STATIONS



### Position & attach charging station

- Position charging station so that mounting holes line up with anchors.
- Slide 3/8" stainless steel lock washer (c), and 3/8" stainless steel flat washer (d), onto each 3/8"-16 x 1" tamper-resistant button head cap bolt (b).
- Insert bolts into mounting holes in the bollard's base plate and thread into anchors using 7/32" hex bit for tamper-resistant bolts.
- Tighten bolts until snug.



### Reinstall bottom access door

- Align access door with charging station body.
- Insert access door bolts that were removed in step 4 using T30 security hex bit. Tighten until snug.