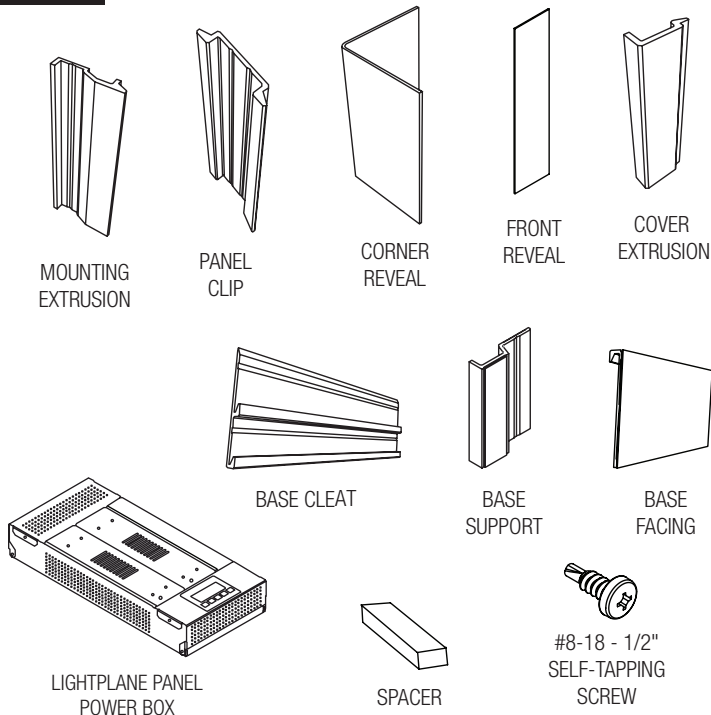


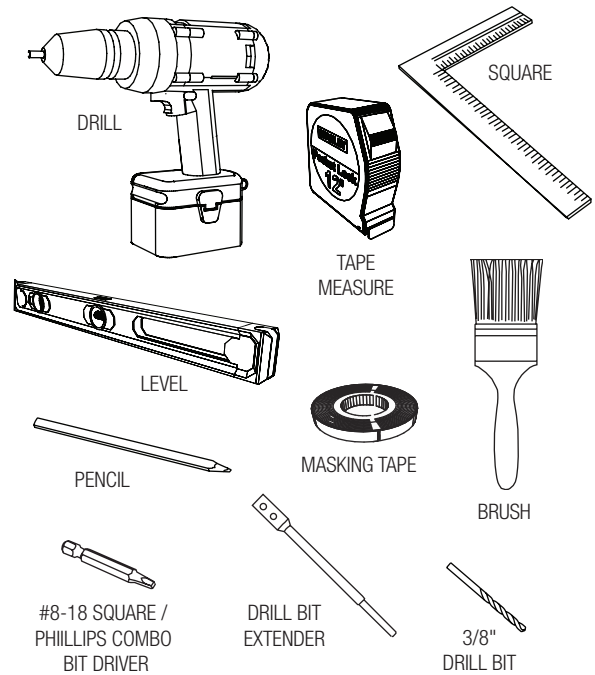
LEVEL[™] ELEVATOR INTERIORS WITH LIGHTPLANE

INSTALLATION INSTRUCTIONS

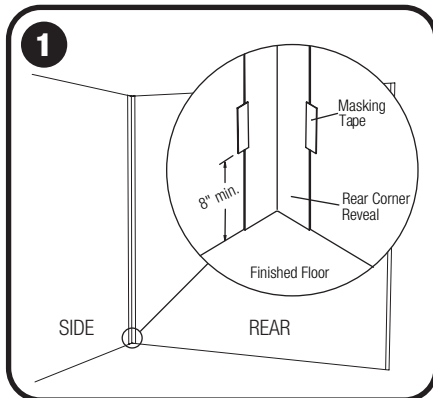
INCLUDED



TOOLS NEEDED

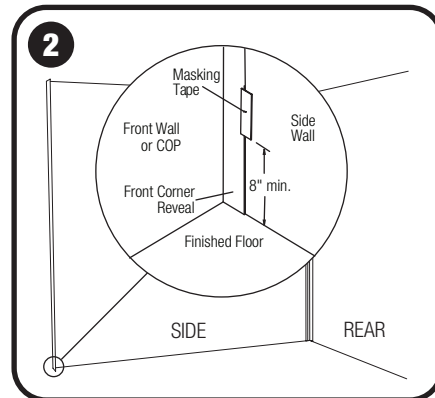


STEP BY STEP



Install (2) Corner Reveals.

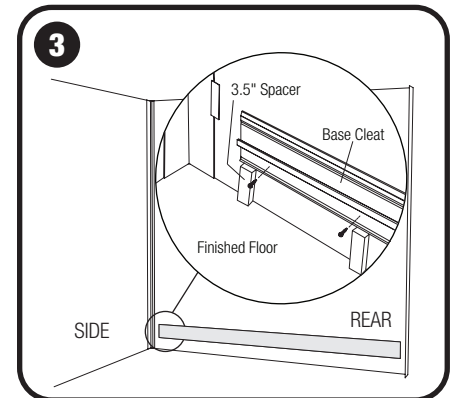
- Remove protective covering from front of Corner Reveals.
- Remove covering from factory installed VHB tape located on the back of the Corner Reveals.
- Place Corner Reveals and attach a piece of masking tape every 4'.
- Cover no more than 1/8" of the Corner Reveal with tape.



Install (2) Front Reveals.

- Remove protective covering from front of Front Reveals.
- Dog-ear the double stick tape on the back of the Front Reveal but do not remove completely (this will be done towards the end of install).
- Place Front Reveals and attach a piece of masking tape every 4'.

Note: For custom base heights, please refer to the project-specific shop drawings and custom installation instructions.

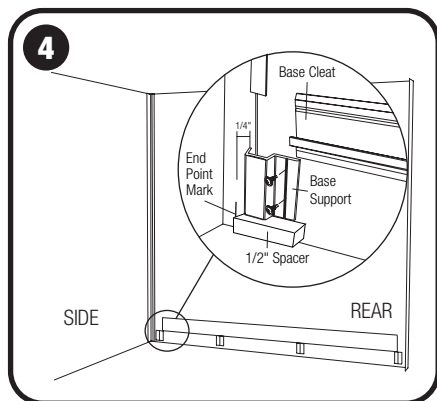


Install Base Cleat Extrusions.

- Using the provided spacers for height, position the Base Cleat on the center of the rear wall.
- Ensure the Base Cleat is level before proceeding. For bowed or uneven cab shells, add shims behind the Base Cleat.
- Secure the Base Cleat with the provided self-drilling screws in the lower v-groove, spaced every 18-24".
- Once secure, make sure the Base Cleat is level. Repeat for the remaining side walls.

LEVELe™ ELEVATOR INTERIORS WITH LIGHTPLANE

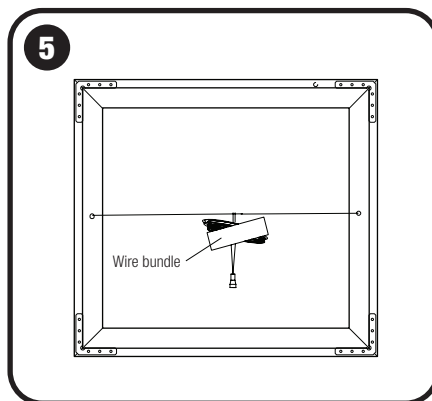
INSTALLATION INSTRUCTIONS



Install Base Supports.

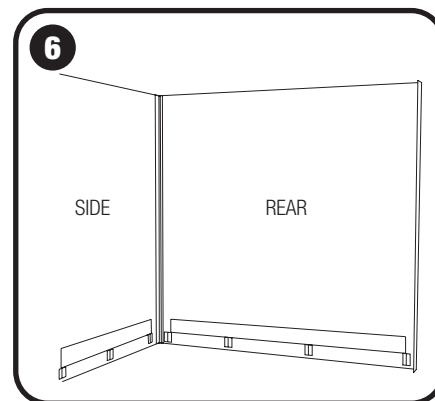
- Dry fit the Base Facing. Center Base Facing along back wall and hang from clip on Base Extrusion. Mark the locations of both ends along the wall.
- Install the left- and right-most Base Supports approximately 1/4" from your markings and every 18 - 24" in between. Use 1/2" spacer as a guide. Do not hinder airflow.

Note: Elevator floor might be uneven. Ensure Base Supports are flush with the bottom of the Base Cleat.



Identify LightPlane Panel(s).

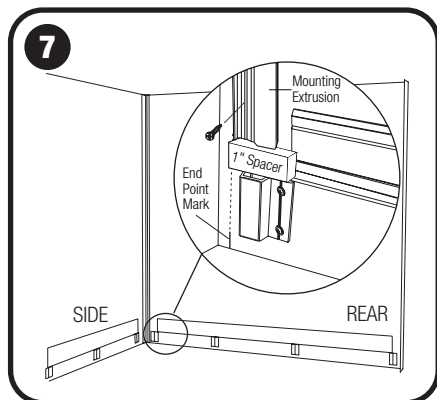
- LightPlane Panels will arrive with attached wires and quick connects zip tied and secured to the back of the panel.
- Cut zip ties and place wires on front of panel.
- LightPlane Panels are installed using the same steps as the LEVELe Elevator panels.



Review location of LightPlane Panel(s).

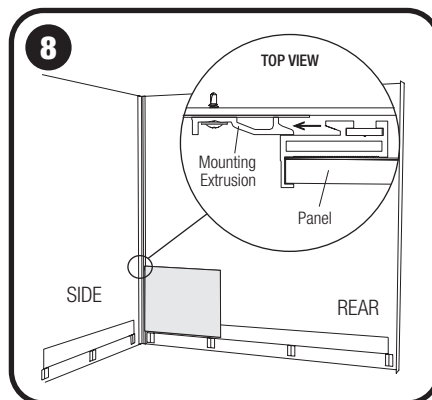
- If LightPlane Panels are adjacent to the Mounting Extrusion, the extrusion will be pre-cut to avoid damaging the exit wire(s).

Note: If the wire exits from only one side of the LightPlane Panel, position the panel so the wire exits towards the inside of the elevator.



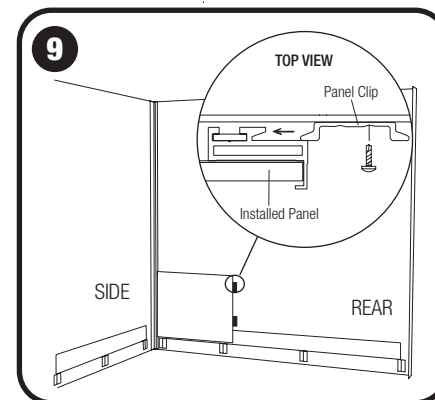
Install (1) Mounting Extrusion on rear wall.

- On the rear wall, align the Mounting Extrusion vertically with the endpoint marked in the previous step.
- Use the provided 1" spacer above the Base Support to set the Mounting Extrusion at the proper height. **Be sure the Mounting Extrusion is square relative to the base.**
- Attach using provided self-drilling screws. Space screws every 18-24".



Install First Panel.

- **Remove debris from Mounting Extrusion and Base Cleat with a brush prior to installation.**
- The first panel will engage into the vertical Mounting Extrusion and Base Cleat. **It is important that lower panels are installed straight and level, and engage fully with the Mounting Extrusion.**
- The panel must engage with the top cleat of the Base Cleat.

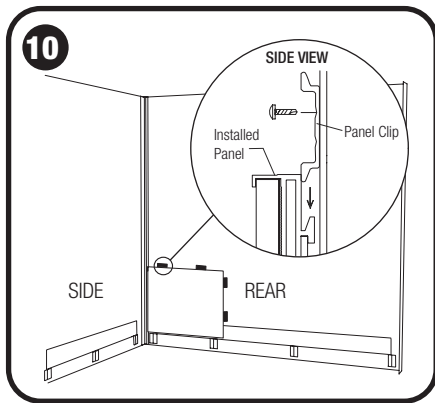


Attach side Panel Clips.

- Attach the Panel Clips as shown, using the provided self-drilling screws.
- (1) Panel Clip should be installed every 18-24" for proper alignment.

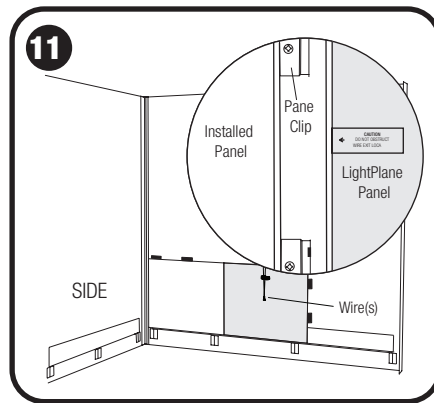
LEVELe™ ELEVATOR INTERIORS WITH LIGHTPLANE

INSTALLATION INSTRUCTIONS



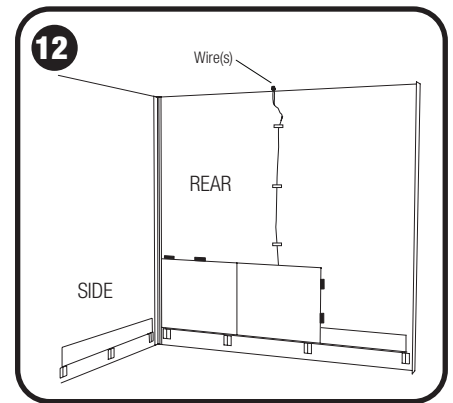
Attach top Panel Clips.

- Attach the Panel Clips as shown, using the provided self-drilling screws.
- (1) Panel Clip should be installed every 18-24" for proper alignment.



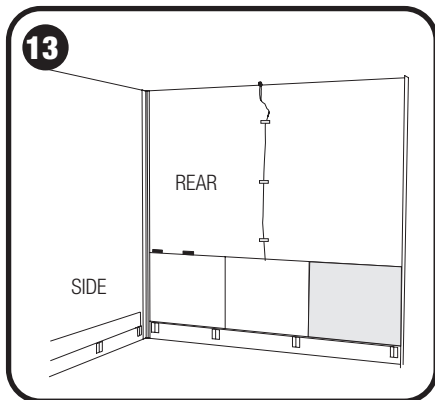
Attach side Panel Clips to LightPlane Panels.

- As indicated on the LightPlane Panels, Panel Clips should not obstruct wire exit locations.
- Attach the Panel Clips as shown in step 9, using the provided self-drilling screws.
- (1) Panel Clip should be installed every 18-24" for proper alignment.



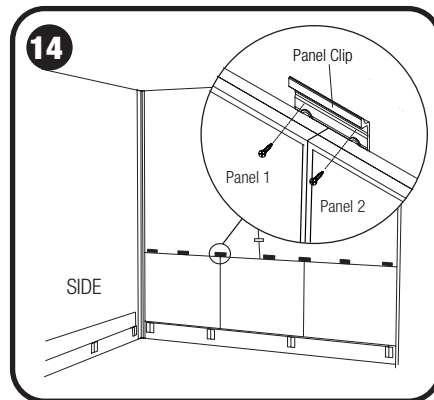
Attach wires to elevator interior wall.

- Attach the wire(s) to the interior wall with masking tape.
- There will be enough wire for the quick connect to reach the cab shell canopy.



Install next Panel in sequence.

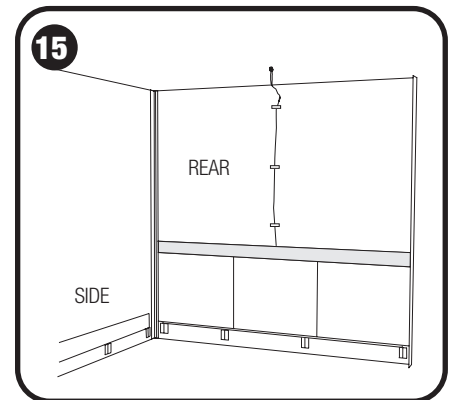
- Using the customer service drawings, installation sequence numbers on CSD, install panels in the order indicated using the methods described.
- Panels must engage fully with Hanging Clips and Panel Clips.
- Debris in the Mounting Extrusion, Hanging Clips or Panel Clips will prevent the panel from fully engaging.



Repeat steps 8-10 as required.

- At any point where (2) Panels meet, Panel Clips should cross over both Panels, as seen above, to ensure ideal Panel alignment.

Note: No side Panel Clips are installed for last row of Panels.

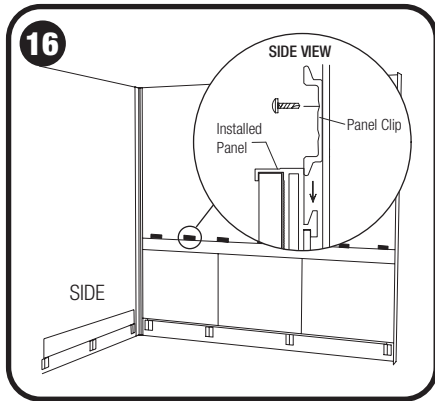


Install Handrail Panel (if applicable).

- Configurations with a handrail panel come with handrails factory installed on a single panel.
- For configurations in which handrails must span multiple panels, shoulder bolts will be installed. Once all panels are installed, slide handrail onto shoulder bolts and tighten underside set screws with provided allen key.

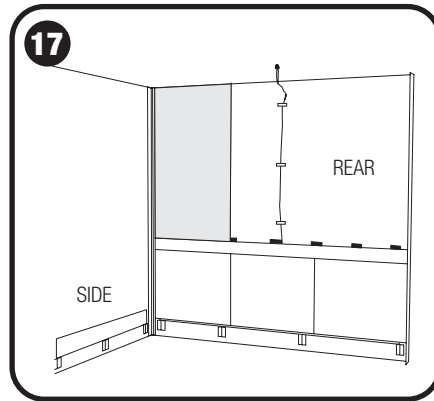
LEVELe™ ELEVATOR INTERIORS WITH LIGHTPLANE

INSTALLATION INSTRUCTIONS



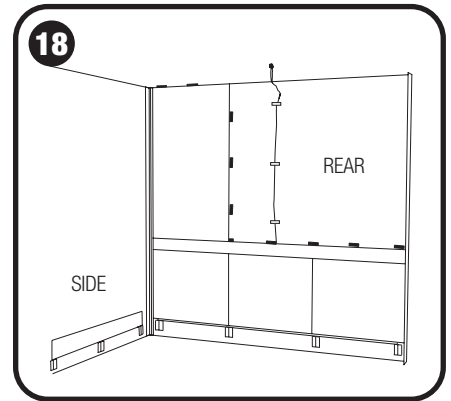
16 Attach top Panel Clips.

- Attach the Panel Clips as shown, using the provided self-drilling screws.
- (1) Panel Clip should be installed every 18-24" for proper alignment.



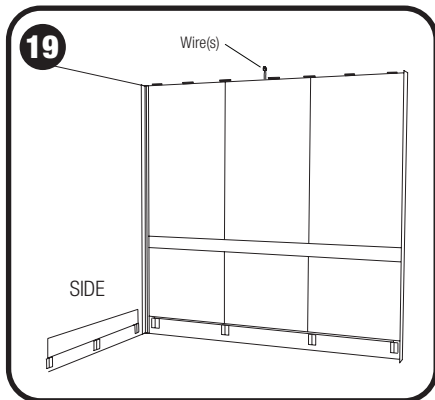
17 Continue to install Panels in sequence.

- **Remove debris from Mounting Extrusion and top Panel Clips with a brush prior to installation.**
- Rest the first upper Panel on the Panel Clips to position the first upper Panel above the Handrail Panel. Refer to step 8 for detail.



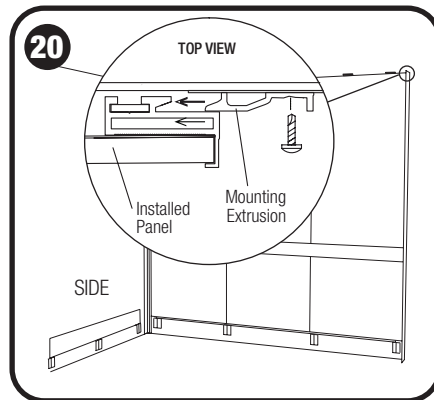
18 Install side and top Panel Clips.

- Attach the Panel Clips as shown, using the provided self-drilling screws. See step 9 for detail.
- (1) Panel Clip should be installed every 18-24" for proper alignment.



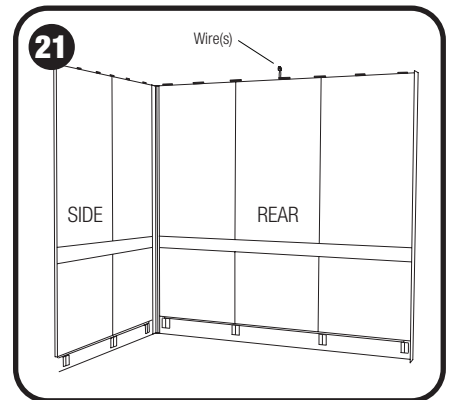
19 Repeat steps 17-18 as required.

- No side Panel Clips are installed for last panel in row.



20 Install remaining Mounting Extrusions.

- Position Mounting Extrusion and attach using provided self-drilling screws. Space screws every 18-24".
- If LightPlane Panels are adjacent to the Mounting Extrusion, the extrusion will be pre-cut to avoid damaging the exit wire(s).
- Mounting Extrusion must fully engage with Panels. Rear wall Mounting Extrusions should be equidistant from their respective corners.

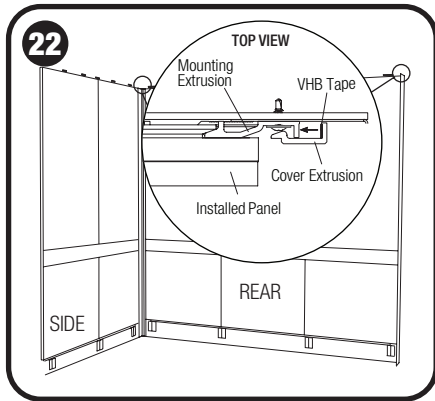


21 Repeat steps 8-20 for remaining walls.

- Install all Panels for remaining walls as indicated in previous steps.

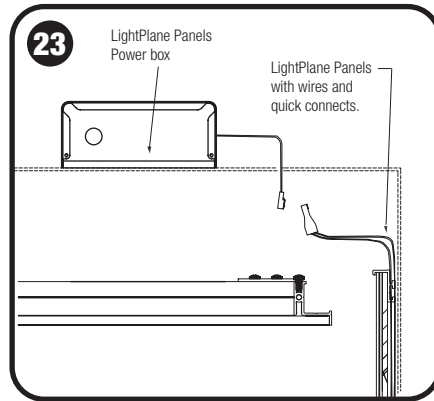
LEVELe™ ELEVATOR INTERIORS WITH LIGHTPLANE

INSTALLATION INSTRUCTIONS



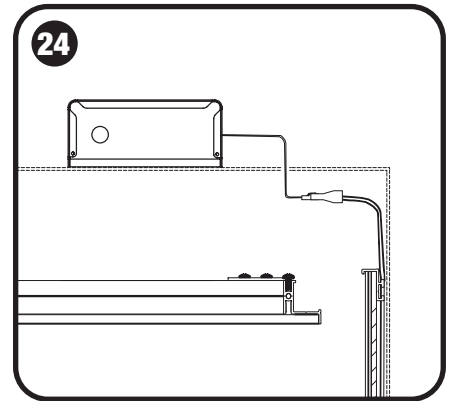
Install Cover Extrusions.

- Cover the screws and Mounting Extrusion with the provided Cover Extrusion.
- The Cover Extrusion is backed with factory supplied foam tape.



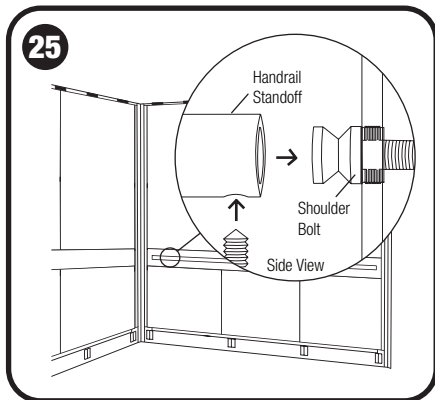
Secure LightPlane Panel power box.

- Mount the LightPlane Panel power box securely to the cab shell canopy.
- The LightPlane Panel wires will be fed through an opening in the cab shell canopy.



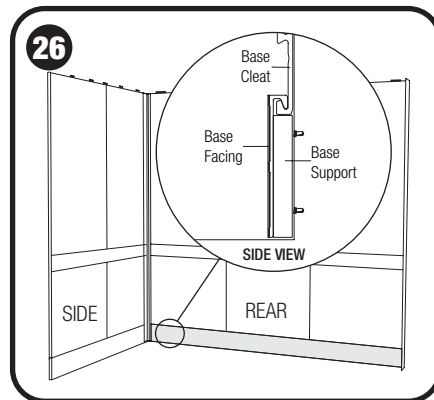
Connect power source to LightPlane wires.

- Using the quick connects, attach the LightPlane Panel wires to the power box wires.
- Adjust the LightPlane Panel potentiometer to desired brightness prior to installing the elevator ceiling.
- Secure excess wire length to ceiling to keep it out of view.



Install Handrail (if applicable).

- For configurations where handrails span across multiple panels, Shoulder Bolts will be premounted at appropriate locations.
- Once all panels are installed, align the Handrail standoffs with the Shoulder Bolts. Slide Handrail onto Shoulder Bolts so the standoffs are flush with the wall panels. Tighten the set screws from the underside of the Handrail with the provided allen key.



Install Base Facing.

- Remove backer from VHB tape on front of Base Supports.
- Center Base Facing, aligning with end point markings in Step 4.
- The Base Facing will engage with lower cleat of the previously installed Base Cleat.
- Press firmly to secure Base Facing to VHB tape on Base Supports.