

8 7 6 5 4 3 2 1

D

D

C

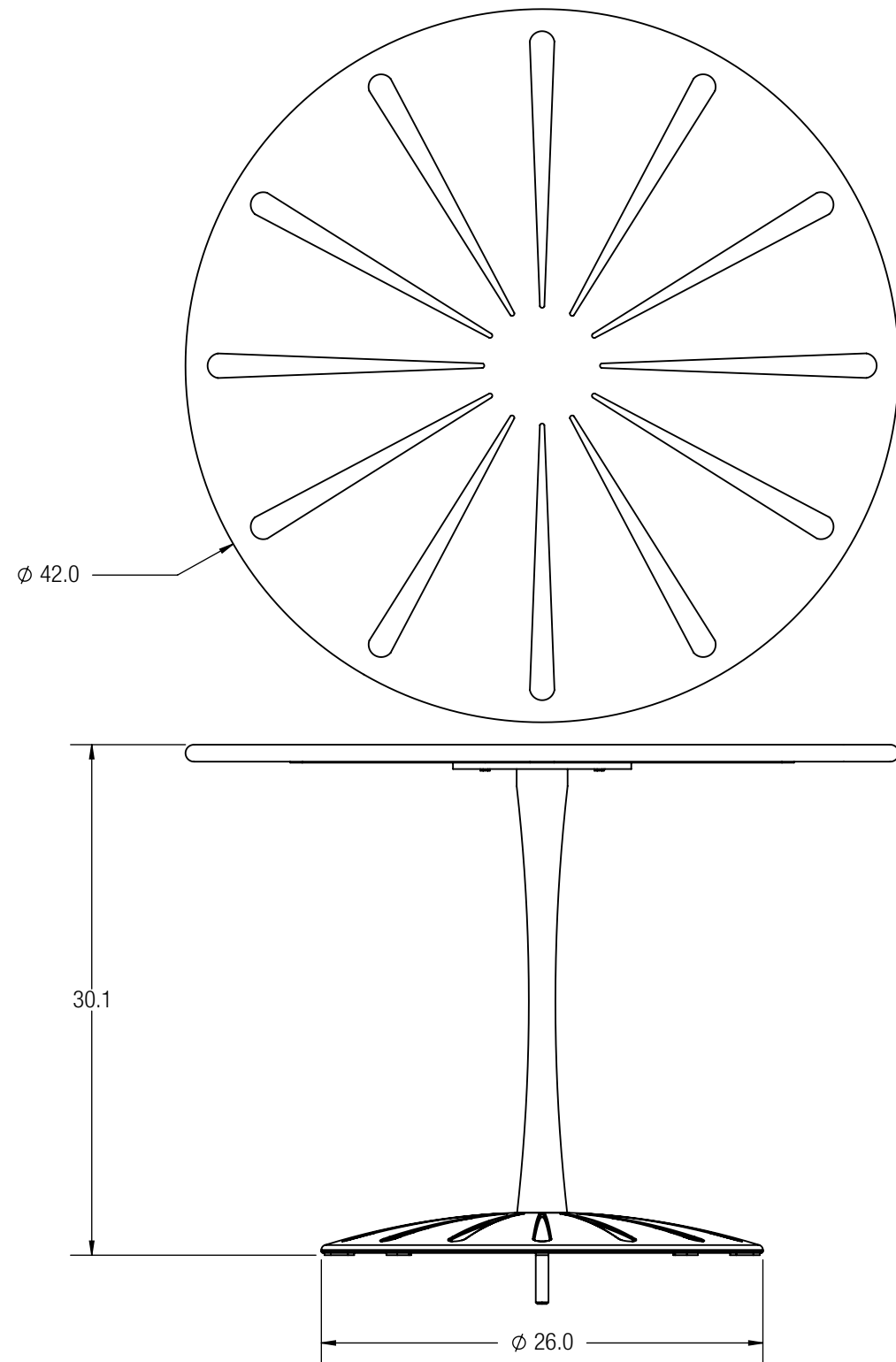
C

B

B

A

A



CUSTOMER APPROVAL:

X \_\_\_\_\_

DATE:

X \_\_\_\_\_

UNLESS OTHERWISE SPECIFIED, DIMENSIONS ARE IN INCHES

TOLERANCES (UNLESS OTHERWISE SPECIFIED):  
FRACTIONAL: ±1/32  
ANGULAR/BEND: ±1°  
TWO PLACE DECIMAL ±.030  
THREE PLACE DECIMAL ±.020

MATERIAL: SEE DATA SHEET

FINISH: SEE DATA SHEET

WEIGHT: 63 LBS

SOURCE: M

SCALE: N.T.S.

**FORMS+SURFACES**® 30 Pine Street, Pittsburgh, PA 15223  
Tel (800) 451-0410 Fax (412) 781-7840

DATE  
01/01/2011

CITRUS TABLE WITH  
42" ROUND ECO-ETCH TABLE TOP

DO NOT SCALE DRAWING

PROPRIETARY AND CONFIDENTIAL  
THE INFORMATION CONTAINED IN THIS DRAWING IS THE SOLE PROPERTY OF FORMS + SURFACES. ANY REPRODUCTION IN PART OR AS A WHOLE WITHOUT WRITTEN PERMISSION IS PROHIBITED.

| SIZE | DWG. NO.      | REV | SHEET  |
|------|---------------|-----|--------|
| B    | STCIT-42EH-TD | 0   | 1 OF 1 |

8 7 6 5 4 3 2 1