

8 7 6 5 4 3 2 1

D

D

C

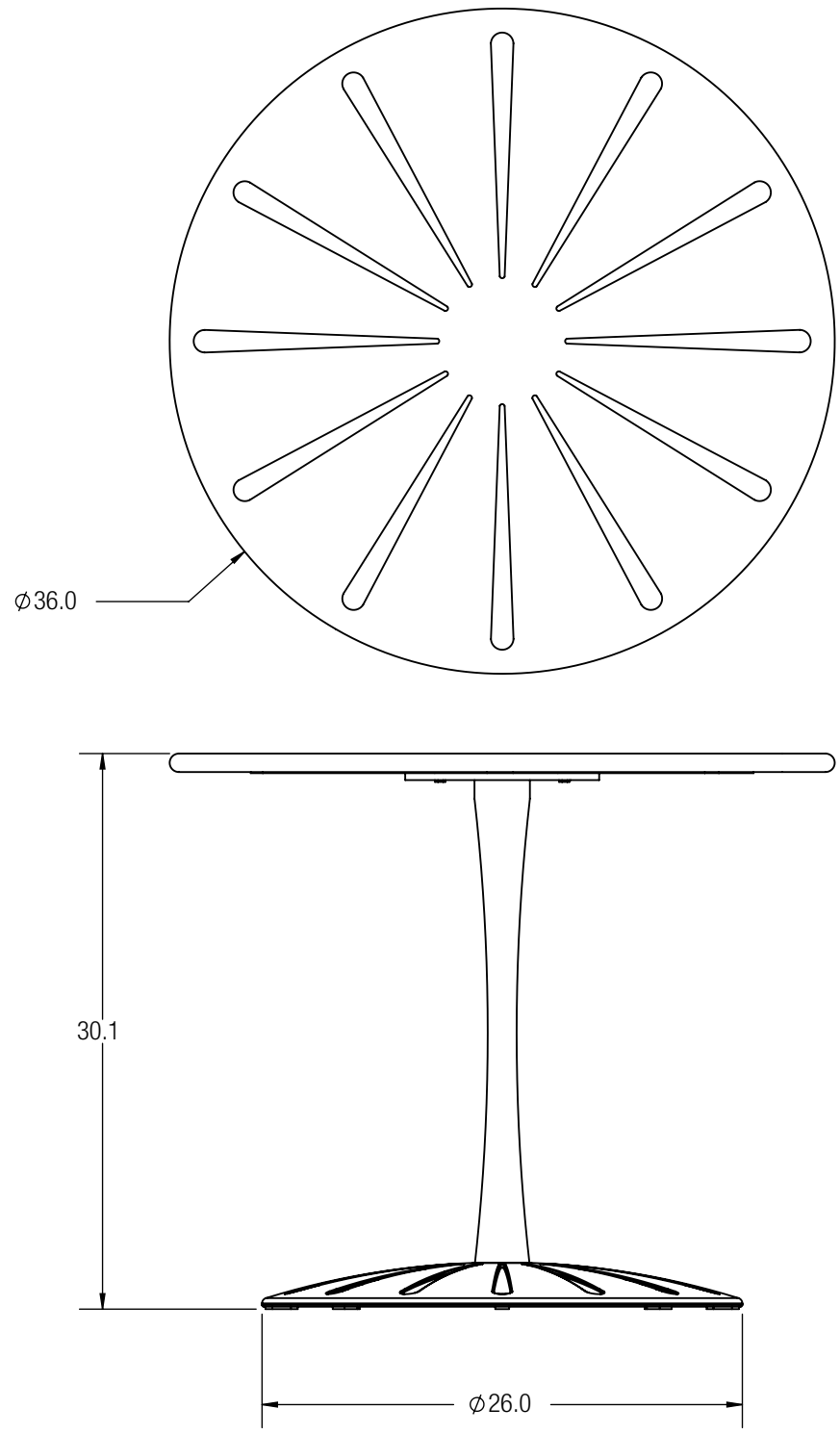
C

B

B

A

A



CUSTOMER APPROVAL:

X \_\_\_\_\_

DATE:

X \_\_\_\_\_

UNLESS OTHERWISE SPECIFIED, DIMENSIONS ARE IN INCHES		<b>FORMS+SURFACES</b> ® 30 Pine Street, Pittsburgh, PA 15223 Tel (800) 451-0410 Fax (412) 781-7840	
TOLERANCES (UNLESS OTHERWISE SPECIFIED): FRACTIONAL: ±1/32 ANGULAR/BEND: ±1° TWO PLACE DECIMAL ±.030 THREE PLACE DECIMAL ±.020		DATE	CITRUS TABLE WITH 36" ROUND ECO-ETCH TABLE TOP
MATERIAL: SEE DATA SHEET		01/01/2011	
FINISH: SEE DATA SHEET		DO NOT SCALE DRAWING	
WEIGHT: 56 LBS		PROPRIETARY AND CONFIDENTIAL	
SOURCE: M		THE INFORMATION CONTAINED IN THIS DRAWING IS THE SOLE PROPERTY OF FORMS + SURFACES. ANY REPRODUCTION IN PART OR AS A WHOLE WITHOUT WRITTEN PERMISSION IS PROHIBITED.	
SCALE: N.T.S.		SIZE	DWG. NO.
		B	STCIT-36EH-TD
		REV	SHEET
		0	1 OF 1

8 7 6 5 4 3 2 1