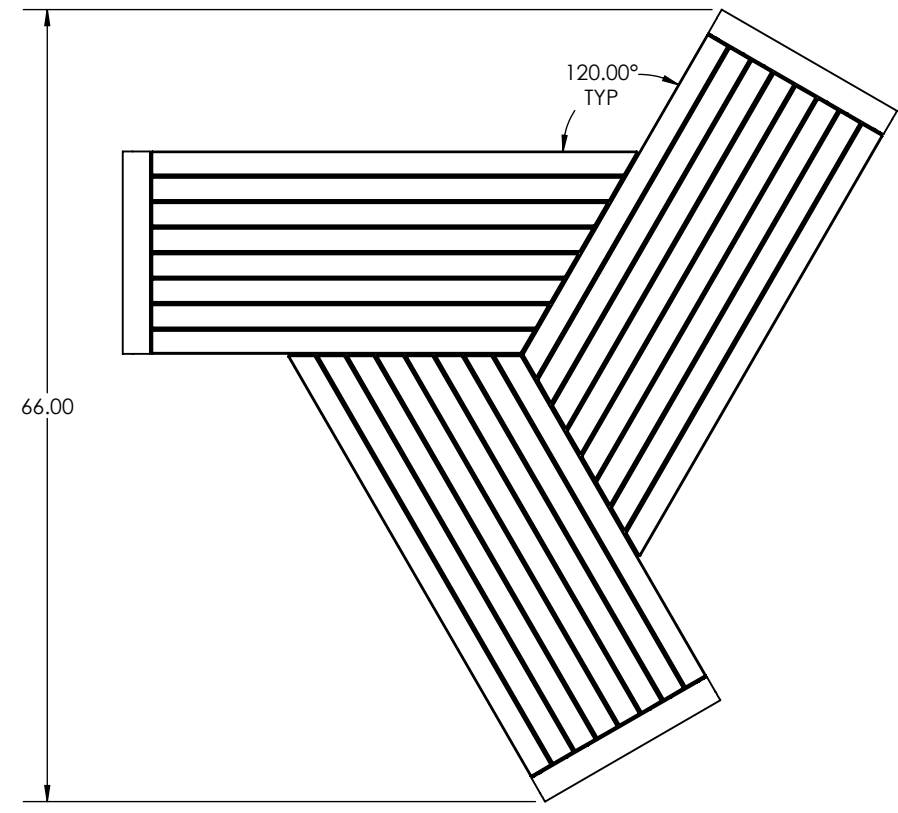
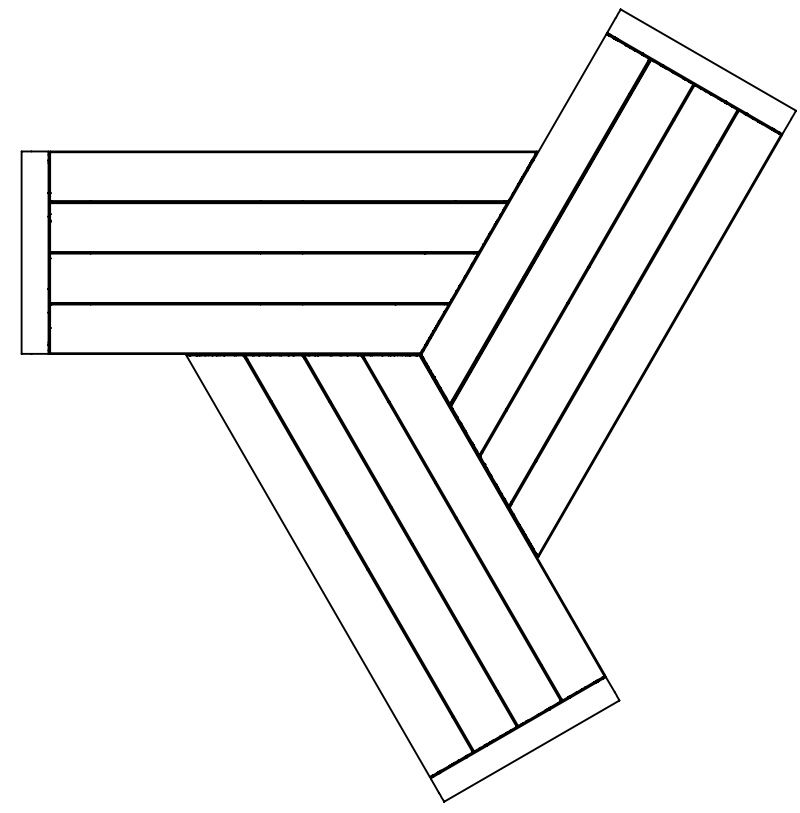


8 7 6 5 4 3 2 1

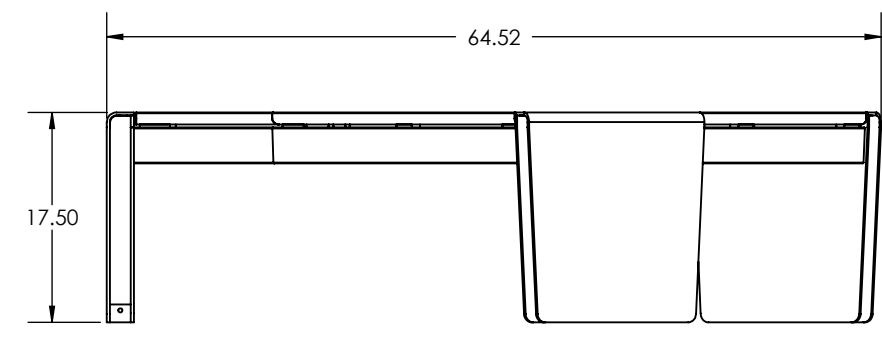
D
C
B
A



TOP VIEW - WOOD SLAT



TOP VIEW - ALUMINUM SLAT



FRONT VIEW

CUSTOMER APPROVAL:

X _____

DATE:

X _____

UNLESS OTHERWISE SPECIFIED,
DIMENSIONS ARE IN INCHES
TOLERANCES (UNLESS OTHERWISE
SPECIFIED):
FRACTIONAL: ±1/32
ANGULAR/BEND: ±1°
TWO PLACE DECIMAL ±.030
THREE PLACE DECIMAL ±.020
MATERIAL: SEE DATA SHEET
FINISH: SEE DATA SHEET
WEIGHT: 149.54 LBS.
SOURCE: -
SCALE: N.T.S.

FORMS+SURFACES® 30 Pine Street, Pittsburgh, PA 15223
Tel (412) 781-9003 Fax (412) 781-7840

NAME	DATE
DWN	MGJ 11/6/2014

VECTOR SEATING SYSTEM			
TRI-HUB, 120° A, THREE END LEGS			
SBVTR-3120AA-3E			
SBVTR-3120AC-3E			
SIZE	DWG. NO.	REV	SHEET
B	SBVTR-3120A-3E	0	1 OF 1

8 7 6 5 4 3 2 1

D
C
B
A

PRINTED: 11/7/2014