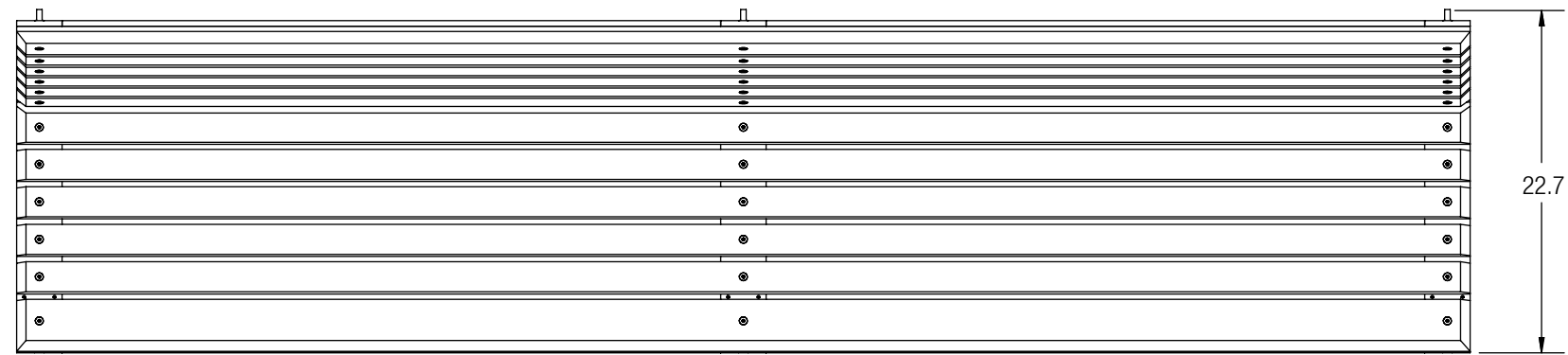


8 7 6 5 4 3 2 1

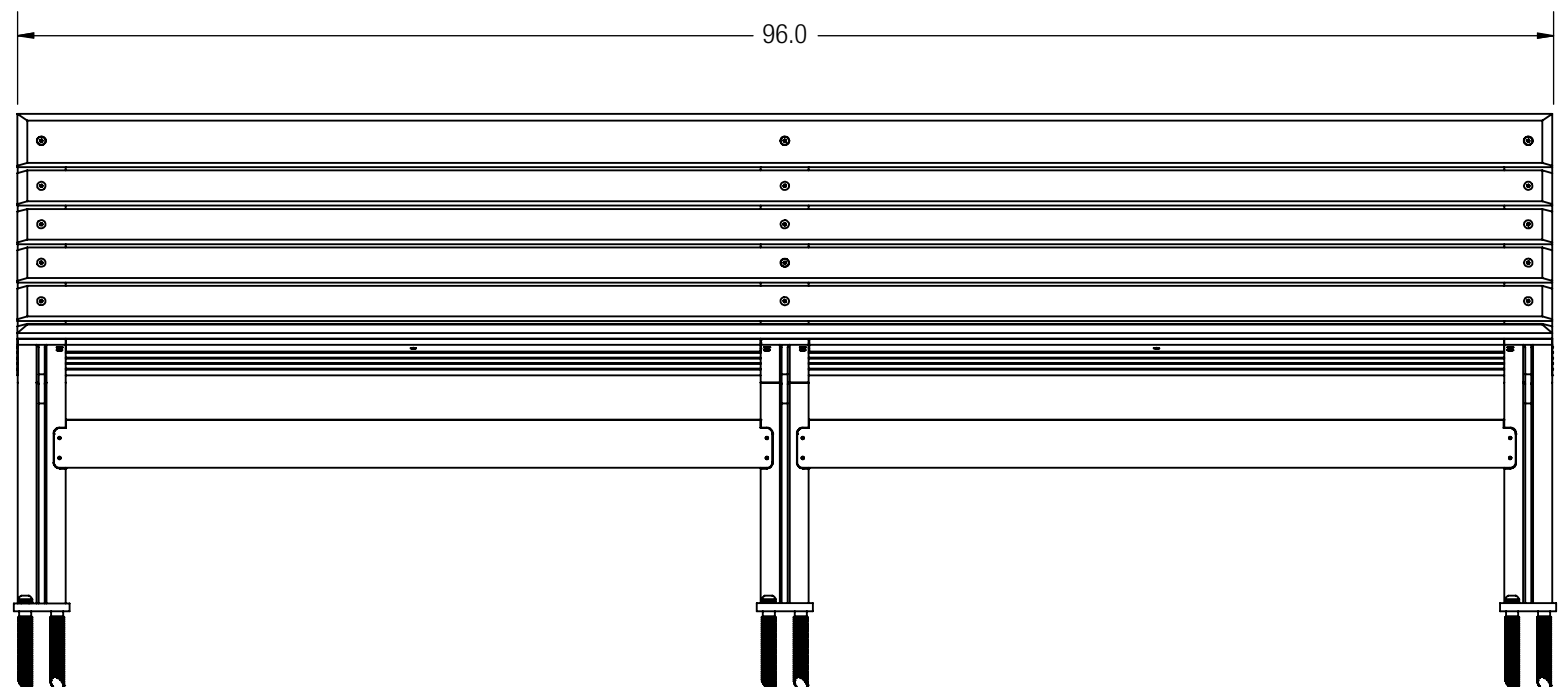
D

D



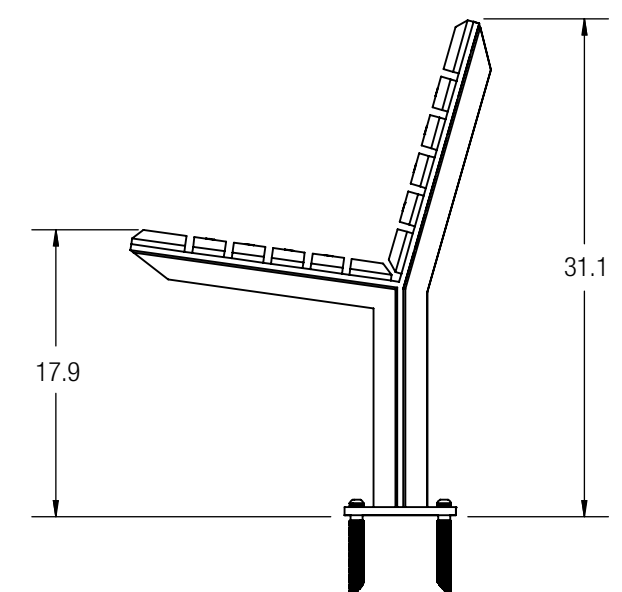
C

C



B

B



A

A

CUSTOMER APPROVAL:

X \_\_\_\_\_

DATE:

X \_\_\_\_\_

UNLESS OTHERWISE SPECIFIED,  
DIMENSIONS ARE IN INCHES

TOLERANCES (UNLESS OTHERWISE  
SPECIFIED):  
FRACTIONAL: ±1/32  
ANGULAR/BEND: ±1°\*  
TWO PLACE DECIMAL ±.030  
THREE PLACE DECIMAL ±.020

MATERIAL: SEE DATA SHEET

FINISH: SEE DATA SHEET

WEIGHT: SEE DATA SHEET

SOURCE: M

SCALE: N.T.S.

**FORMS+SURFACES**® 30 Pine Street, Pittsburgh, PA 15223  
Tel (800) 451-0410 Fax (412) 781-7840

NAME	DATE
DWN	EMK
	1/14/2014

KNIGHT BENCH, BACKED, 8-FT SBKNI-096B, SBKNI-096BA			
SIZE	DWG. NO.	REV	SHEET
B	SBKNI-096B/BA	0	1 OF 1

8 7 6 5 4 3 2 1