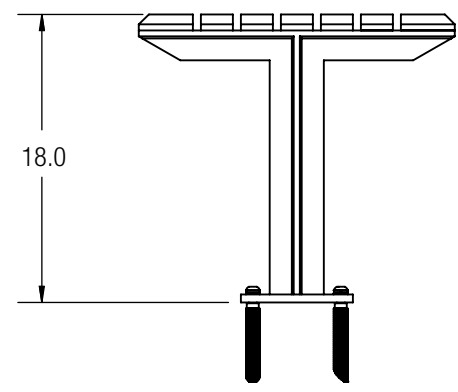
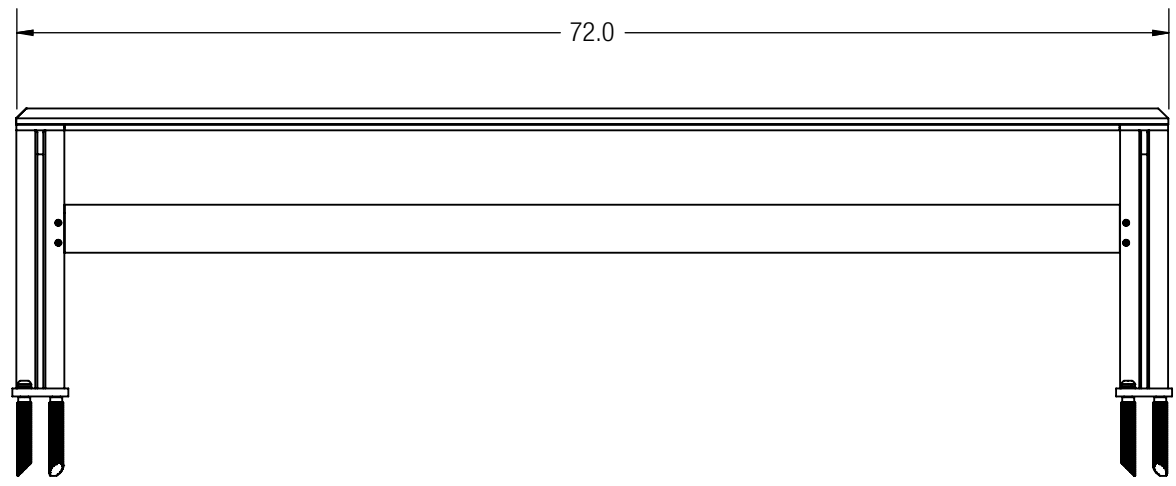
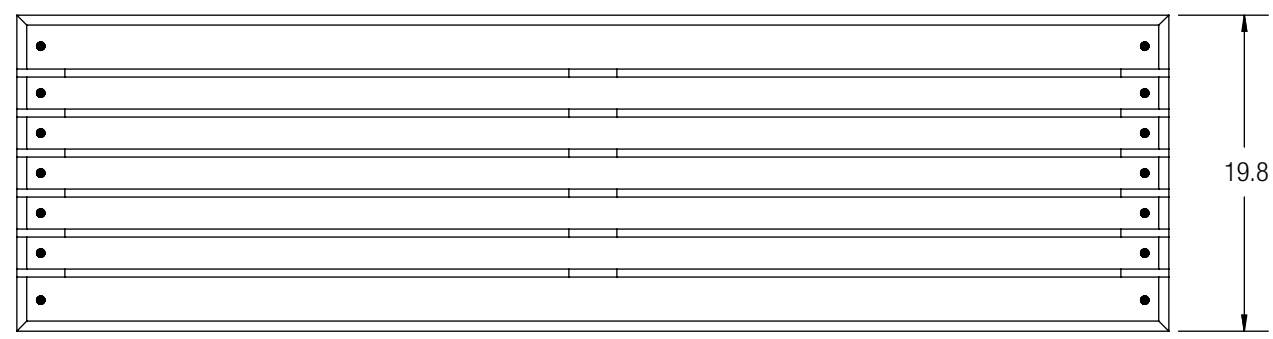


8 7 6 5 4 3 2 1

D
C
B
A



CUSTOMER APPROVAL:

X _____

DATE:

X _____

UNLESS OTHERWISE SPECIFIED, DIMENSIONS ARE IN INCHES		FORMS+SURFACES ® 30 Pine Street, Pittsburgh, PA 15223 Tel (800) 451-0410 Fax (412) 781-7840	
TOLERANCES (UNLESS OTHERWISE SPECIFIED): FRACTIONAL: ±1/32 ANGULAR/BEND: ±1°* TWO PLACE DECIMAL ±.030 THREE PLACE DECIMAL ±.020		NAME	DATE
MATERIAL: SEE DATA SHEET		DWN	EMK 1/14/2014
FINISH: SEE DATA SHEET		DO NOT SCALE DRAWING	
WEIGHT: SEE DATA SHEET		PROPRIETARY AND CONFIDENTIAL	
SOURCE: M		THE INFORMATION CONTAINED IN THIS DRAWING IS THE SOLE PROPERTY OF FORMS + SURFACES. ANY REPRODUCTION IN PART OR AS A WHOLE WITHOUT WRITTEN PERMISSION IS PROHIBITED.	
SCALE: N.T.S.		SIZE	DWG. NO.
		B	SBKNI-072N/NT/NA
		REV	SHEET
		0	1 OF 1

KNIGHT BENCH, BACKLESS, 6-FT
SBKNI-072N, SBKNI-072NT,
SBKNI-072NA

8 7 6 5 4 3 2 1