

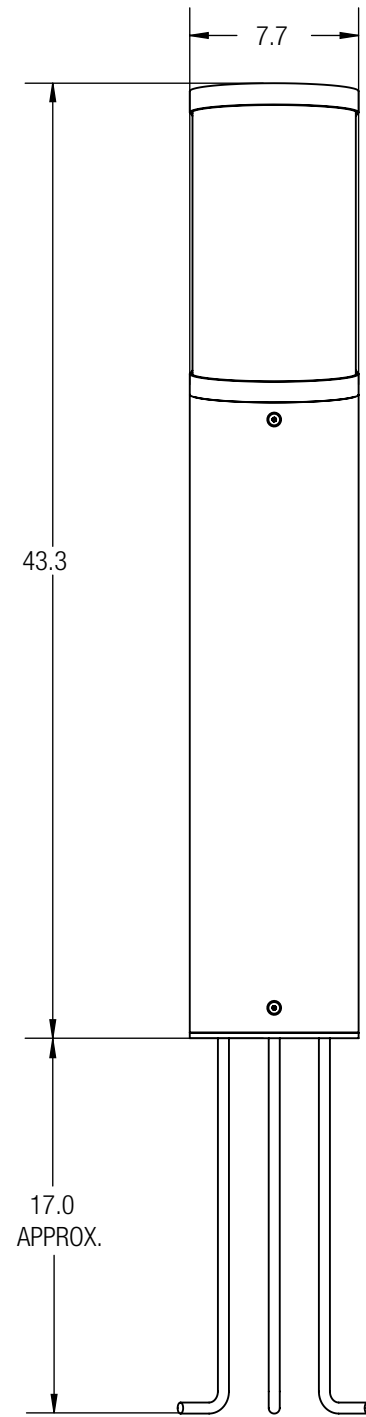
8 7 6 5 4 3 2 1

D

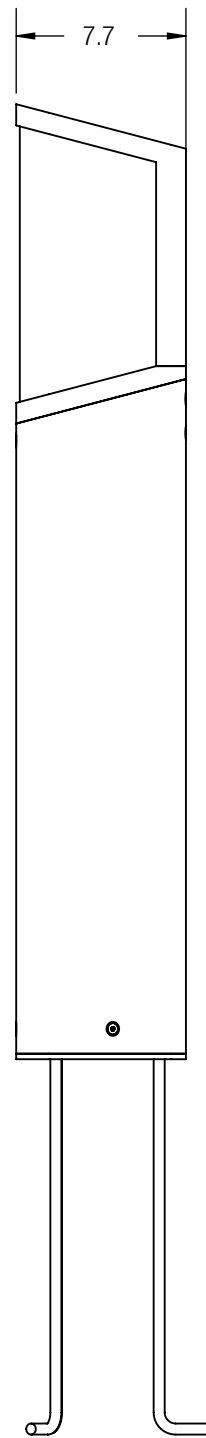
C

B

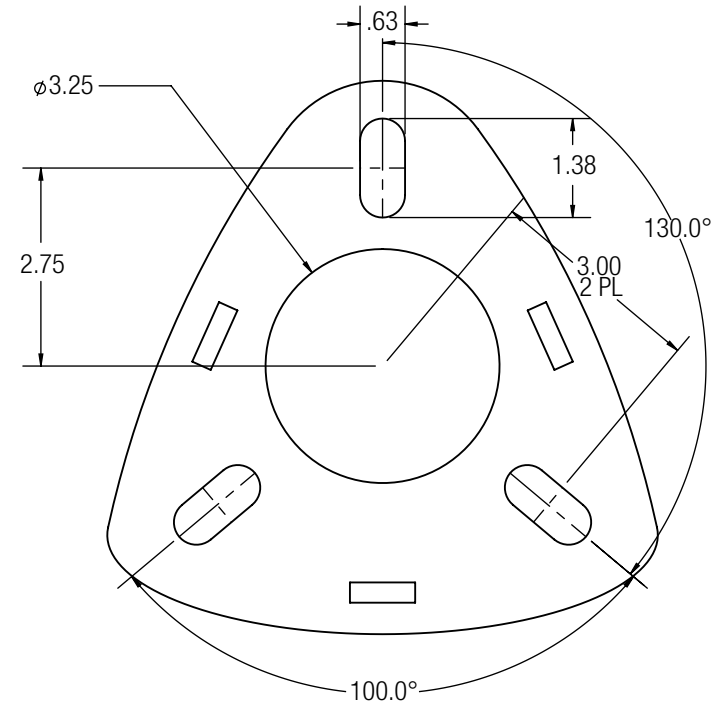
A



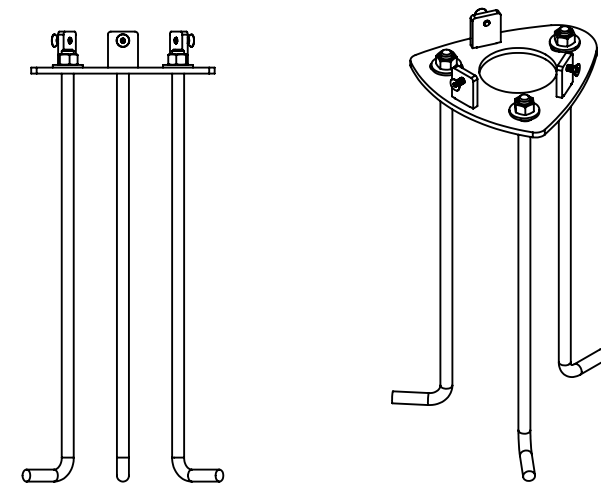
FRONT VIEW



SIDE VIEW



BASE PLATE



BASE PLATE & J-BOLT ANCHORS

CUSTOMER APPROVAL:

X \_\_\_\_\_

DATE:

X \_\_\_\_\_

UNLESS OTHERWISE SPECIFIED, DIMENSIONS ARE IN INCHES		<b>FORMS+SURFACES</b> ® 30 Pine Street, Pittsburgh, PA 15223 Tel (412) 781-9003 Fax (412) 781-7840	
TOLERANCES (UNLESS OTHERWISE SPECIFIED): FRACTIONAL: ±1/32 ANGULAR/BEND: ±1° TWO PLACE DECIMAL ±.030 THREE PLACE DECIMAL ±.020		DATE	TRIO BOLLARD LBTRO
MATERIAL: SEE DATA SHEET		01/01/2011	
FINISH: SEE DATA SHEET	DO NOT SCALE DRAWING		SIZE DWG. NO. REV SHEET B LBTRO-TD 0 1 OF 1
WEIGHT: 34 LBS	PROPRIETARY AND CONFIDENTIAL		
SOURCE: M	THE INFORMATION CONTAINED IN THIS DRAWING IS THE SOLE PROPERTY OF FORMS + SURFACES. ANY REPRODUCTION IN PART OR AS A WHOLE WITHOUT WRITTEN PERMISSION IS PROHIBITED.		
SCALE: N.T.S.			

8 7 6 5 4 3 2 1