

PROJECT NAME: _____

DATE: _____

JOB LOCATION: _____

COMPANY: _____

SPECIFIER: _____

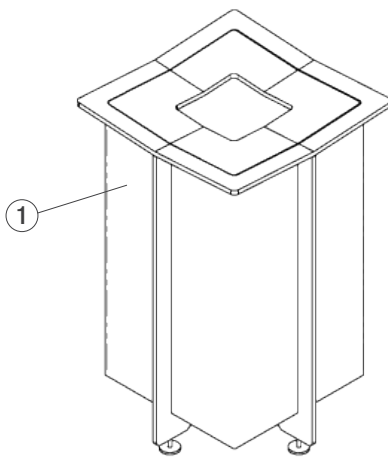
PLEASE USE ADOBE READER OR ADOBE ACROBAT TO FILL OUT AND SAVE FORM. USING OTHER PROGRAMS COULD RESULT IN UNSAVED DATA.

MODEL

QUANTITY	MODEL	
_____	SLKNI-30	Knight Receptacle, 30 gallon

OPTIONS

KNIGHT RECEPTACLE



① Powdercoat Color Options

Please select **one** option below and write in specified color.

Standard Texture from F+S Powdercoat Chart

Custom RAL Powdercoat Color *(subject to upcharge)*

Mounting Options

Freestanding with levelers

Surface Mount*

Add F+S stainless steel mounting hardware kit*

Do not include F+S mounting hardware kit

**Hardware is required for surface mount litter receptacles. Mounting kits can be purchased from F+S for an additional charge.*

NOTES _____

Please send completed forms to sales@forms-surfaces.com or contact us at 800.451.0410 with any questions.