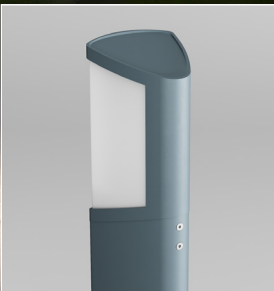




**TRIO™** BOLLARD

PRODUCT DATA





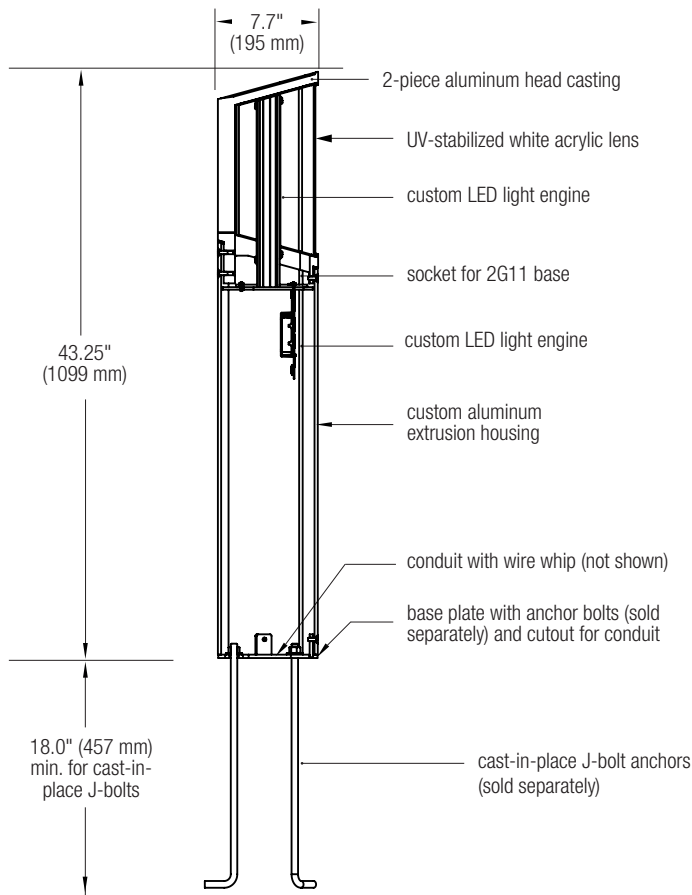
**Trio Bollards** blend seamlessly with our Trio family of products, a line that also includes pedestrian lighting, benches, bike racks and table ensembles. Echoing design themes that span the entire line, Trio Bollards carry the family's open-angled shape, swept detail, and exaggerated triangular profile into a minimalist linear form that integrates beautifully into a wide range of settings.

**MATERIAL & CONSTRUCTION DETAILS**

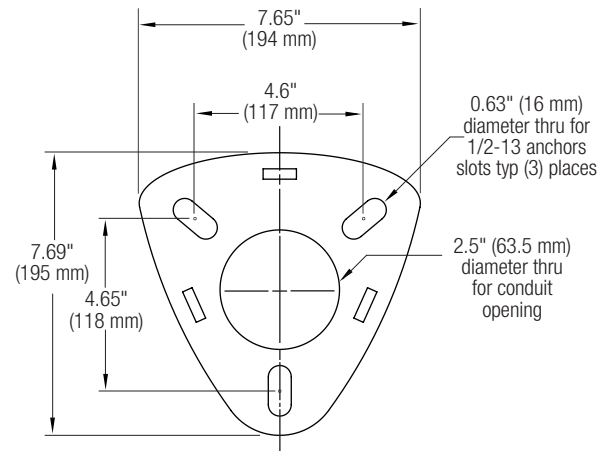
**INSTALLATION & MAINTENANCE**

COLUMN	FINISH	LED LAMP & DRIVER	INSTALLATION
<ul style="list-style-type: none"> <li>Column is made from a formed aluminum extrusion.</li> </ul>	<ul style="list-style-type: none"> <li>See the Forms+Surfaces Powdercoat Chart for details. Custom RAL colors are available for an upcharge.</li> <li>Due to the inherent nature of metal castings, gloss powdercoats are not offered for cast components.</li> </ul>	<ul style="list-style-type: none"> <li>Cree® LEDs in 3000K warm white and 4000K neutral white color temperatures.</li> <li>15W LED driver is IP64-rated.</li> <li>LED driver input power is 120-277 VAC.</li> <li>Driver has forward phase, reverse phase, and 0-10V dimming capabilities.</li> </ul>	<ul style="list-style-type: none"> <li>Bollards must be surface mounted using three tamper-resistant bolts.</li> <li>Installation of a surge protector as part of each unit's wiring is recommended.</li> <li>Stainless steel mounting hardware sold separately. Templates available upon request.</li> </ul>
TOP CAP	WEIGHT		MAINTENANCE
<ul style="list-style-type: none"> <li>Cast aluminum cap is attached with recessed security socket cap screws.</li> </ul>	<ul style="list-style-type: none"> <li>35 lbs (15 kg)</li> </ul>		<ul style="list-style-type: none"> <li>Metal surfaces can be cleaned as needed using a soft cloth or brush with warm water and a mild detergent. Avoid abrasive cleaners.</li> </ul>

**NOMINAL DIMENSIONS**



**BASE PLATE MOUNTING DETAIL**





**LIGHT ENGINE DESCRIPTION**

LAMP	DESCRIPTION	LUMINAIRE LUMENS*	B.U.G. RATINGS
3000K LED	15W custom LED light engine	929	B0-U3-G1
4000K LED	15W custom LED light engine	929	B0-U3-G1

\*Luminaire lumens represents the absolute photometry for the luminaire, and indicates the lumens out of the entire fixture.

**NOTE: Polar candela and isofootcandle plots can be found on the Trio Bollard product page on our website**

**CERTIFICATION**

- LBTRO-LED is UL and C-UL listed for wet locations.

**ENVIRONMENTAL CONSIDERATIONS**

- Please refer to the Trio Bollard Environmental Data Sheet for detailed environmental impact information.
- Metal components have a long life cycle and are 100% recyclable; Trio Bollard has 75% recycled content.
- Powdercoat finishes are no- or low-VOC, depending on color.
- Low maintenance; easy to disassemble.

**MODEL NUMBERS AND DESCRIPTIONS**

MODEL	DESCRIPTION
LBTRO-LED	Trio Bollard, LED

**PRODUCT OPTIONS**

The following options are available for an upcharge

Add stainless steel mounting hardware
Custom RAL powdercoat color

**LEAD TIME:** 6 to 8 weeks. Shorter lead times may be available upon request. Please contact us to discuss your specific timing requirements.

**PRICING:** Please contact us at **800.451.0410** or **sales@forms-surfaces.com**. At Forms+Surfaces, we design, manufacture and sell our products directly to you. Our sales team is available to assist you with questions about our products, requests for quotes, and orders. Territory Managers are located worldwide to assist with the front-end specification and quoting process, and our in-house Project Sales Coordinators follow your project through from the time you place an order to shipment.

**TO ORDER SPECIFY:** Quantity, powdercoat color, lamp, and voltage. Quote/Order Forms are available on our website to lead you through the specification process in a simple checkbox format.