



TRIO™ BIKE RACK

PRODUCT DATA





TRIO™ BIKE RACK

PRODUCT DATA

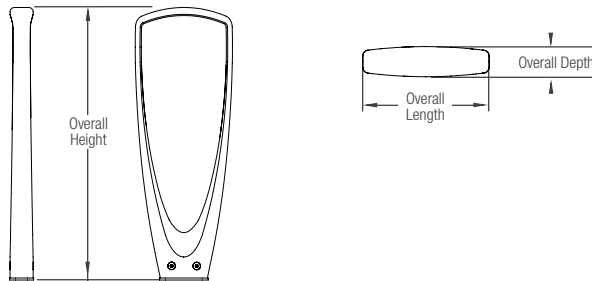
The **Trio Bike Rack** is the perfect complement to our Trio product line. Providing an excellent opportunity for design continuity, the Trio Bike Rack draws on the same triangular shape and exaggerated void seen in both our Trio Bench and Trio Lighting. Contemporary in design, its simple yet sculptural form allows it to be integrated into a myriad of settings.

MATERIAL & FINISHES

MATERIAL	FINISHES	GUIDELINES & SECURITY	INSTALLATION	MAINTENANCE
<ul style="list-style-type: none"> Body is made of corrosion-resistant cast aluminum with powdercoat finish. 	<ul style="list-style-type: none"> See the Forms+Surfaces Powdercoat Chart for details. Custom RAL colors are available for an upcharge. Due to the inherent nature of metal castings, gloss powdercoats are not offered for cast components. 	<ul style="list-style-type: none"> Meets Association of Pedestrian and Bicycle Professionals (APBP) guidelines. A locking point detail and mounting configurations that meet APBP guidelines can be found on pages 1 and 2 of this document. 	<ul style="list-style-type: none"> Trio Bike Racks must be surface mounted with embedded anchors. Stainless steel anchors and tamper-resistant stainless steel bolts are sold separately. 	<ul style="list-style-type: none"> Metal surfaces can be cleaned as needed using a soft cloth or brush with warm water and a mild detergent. Avoid abrasive cleaners.

INSTALLATION & MAINTENANCE

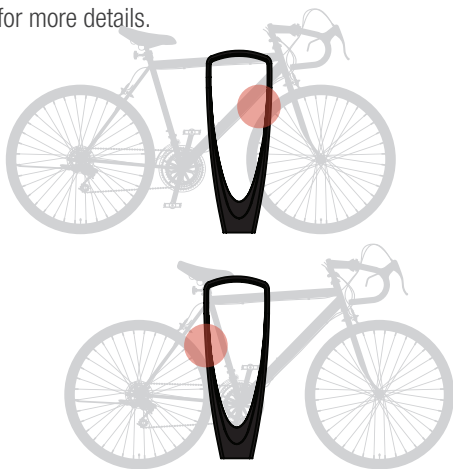
NOMINAL DIMENSIONS




OVERALL LENGTH	OVERALL DEPTH	OVERALL HEIGHT	WEIGHT
12" (305 mm)	2.75" (70 mm)	33.5" (851 mm)	25 lbs (11.3 kg)

LOCKING POINT AND CONFIGURATION EXAMPLES

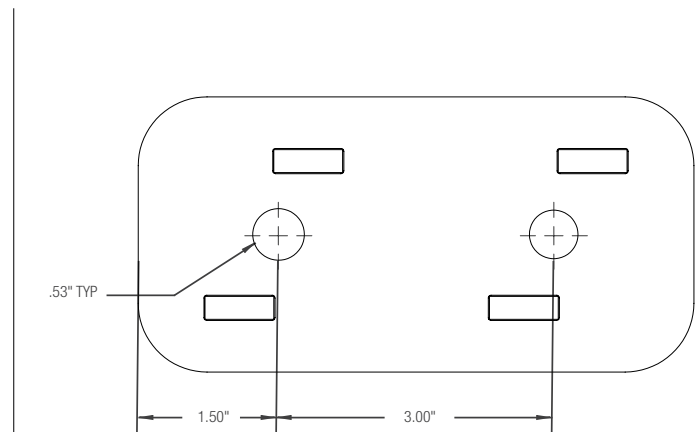
The Trio Bike Rack was designed to allow for a multitude of locking point and configuration options to meet your individual needs. Please note that for optimal performance, Forms+Surfaces recommends a 36" center-to-center placement. See diagrams below and the separate installation instructions document for more details.



 A standard U-lock can be locked at this location to meet APBP guidelines for security and functionality.

LOCKING POINT EXAMPLE

T 800.451.0410 | www.forms-surfaces.com

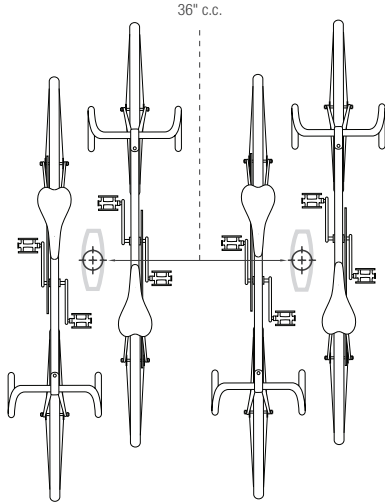


MOUNTING / HARDWARE DETAIL

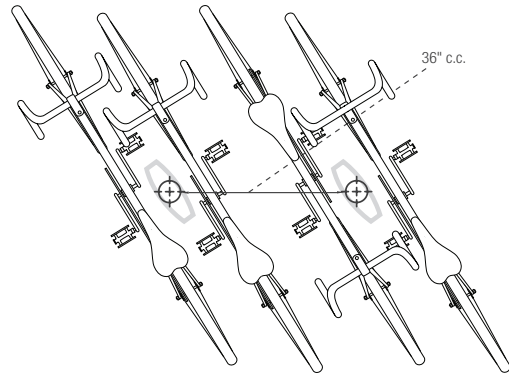
FORMS+SURFACES®



LOCKING POINT AND CONFIGURATION EXAMPLES (Continued)



CONFIGURATION EXAMPLE A



CONFIGURATION EXAMPLE B

ENVIRONMENTAL CONSIDERATIONS

- Please refer to the Trio Bike Rack Environmental Data Sheet for detailed environmental impact information.
- Trio aluminum casting has up to 95% recycled content and is fully recyclable.
- Standard powdercoat finishes are no-VOC; non-standard powdercoat finishes are no- or low-VOC, depending on color.
- Low maintenance.

MODEL NUMBER AND DESCRIPTION

MODEL	DESCRIPTION
SKTRO	Trio Bike Rack

PRODUCT OPTIONS

The following options are available for an upcharge

Stainless steel anchors and tamper-resistant stainless steel bolts	Custom RAL powdercoat color
--	-----------------------------

LEAD TIME: 4 weeks. Shorter lead times may be available upon request. Please contact us to discuss your specific timing requirements.

PRICING: Please contact us at 800.451.0410 or sales@forms-surfaces.com. At Forms+Surfaces, we design, manufacture and sell our products directly to you. Our sales team is available to assist you with questions about our products, requests for quotes, and orders. Territory Managers are located worldwide to assist with the front-end specification and quoting process, and our in-house Project Sales Coordinators follow your project through from the time you place an order to shipment.

TO ORDER SPECIFY: Quantity, model and powdercoat color for body casting. Quote/Order Forms are available on our website to lead you through the specification process in a simple checkbox format.