



KNIGHT™ PEDESTRIAN

PRODUCT DATA





Knight Pedestrian Lighting combines rustproof construction, a unique geometric design, and the striking aesthetic of the rest of the Knight family. Available in 3000K warm white and 4000K neutral white, fixtures consist of a robust square column with the light source positioned above a beautifully detailed quadrant casting. Standard Knight Pedestrian Lighting fixtures have a symmetrical lighting pattern; head assemblies can also be configured for asymmetrical light distribution, if desired.

MATERIAL & CONSTRUCTION DETAILS

INSTALLATION & MAINTENANCE

COLUMN & HEAD	FINISH	LED LAMPS & DRIVER	INSTALLATION
<ul style="list-style-type: none"> Column is 6" x 6" square (152 mm x 152 mm square) extruded aluminum with rounded corners. Head is comprised of an aluminum quadrant casting with aluminum lamp housing and four borosilicate glass lenses. Lenses can be replaced with opaque shields for asymmetrical distribution, if required. 	<ul style="list-style-type: none"> For column and head powdercoat options see the Forms+Surfaces Powdercoat Chart for details. Custom RAL colors are available for an upcharge. Quadrant castings are Aluminum Texture powdercoat with polished outer edges. All quadrant casting surfaces are clear-coated. Due to the inherent nature of metal castings, gloss powdercoats are not offered for cast components. 	<ul style="list-style-type: none"> Custom LED light engine with Lumileds® LEDs. 3000K warm white and 4000K neutral white color temperatures. 4356 lumen output. LED driver input voltage is 120-277VAC, -30°C minimum starting temperature. Driver has 0-10V dimming capabilities. LED driver certifications include: IP64 enclosure, and Class 2 rated output (UL8750). 	<ul style="list-style-type: none"> 3/8" stainless steel base plate with 1/2"-13x18" J-bolt anchors. Installation of a surge protector as part of each units wiring is recommended. Stainless steel mounting hardware sold separately. Templates available upon request.
HEIGHT & WEIGHT			MAINTENANCE
<ul style="list-style-type: none"> Standard height is 138" nominal (3505 mm). Custom heights down to a minimum of 120" (3048 mm) are available on a custom basis. Weight: 93 lbs (42 kg) 			<ul style="list-style-type: none"> Metal surfaces can be cleaned as needed using a soft cloth or brush with warm water and a mild detergent. Avoid abrasive cleaners.

LAMP DESCRIPTIONS

LAMP	DRIVER	COLOR TEMPERATURE	LUMINAIRE LUMENS*	B.U.G. RATING
Lumileds® LED	60W	3000	4356	B2-U2-G1
Lumileds® LED	60W	4000	4356	B2-U2-G1

*Luminaire lumens represents the absolute photometry for the luminaire, and indicates the lumens out of the entire fixture.

NOTE: Polar candela and isofootcandle plots can be found on the Knight Pedestrian product page on our website.

CERTIFICATION

- ETL and C-ETL listed for wet locations.

ENVIRONMENTAL CONSIDERATIONS

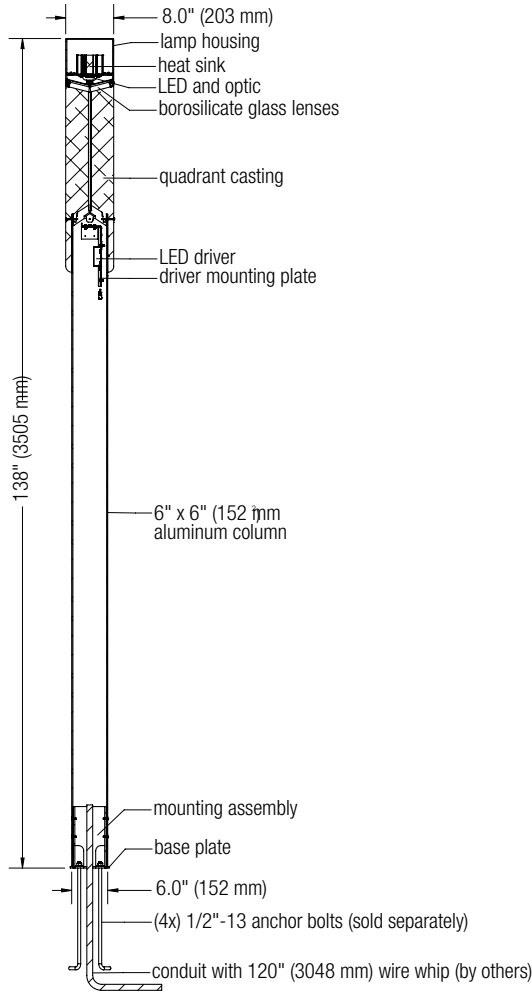
- Please refer to the Knight Pedestrian Environmental Data Sheet for detailed environmental impact information.
- Knight Pedestrian has high recycled content and is highly recyclable.
- Standard powdercoat finishes are no-VOC; Non-standard powdercoat finishes are no- or low-VOC, depending on color.
- Low maintenance.

MODEL NUMBERS AND DESCRIPTIONS

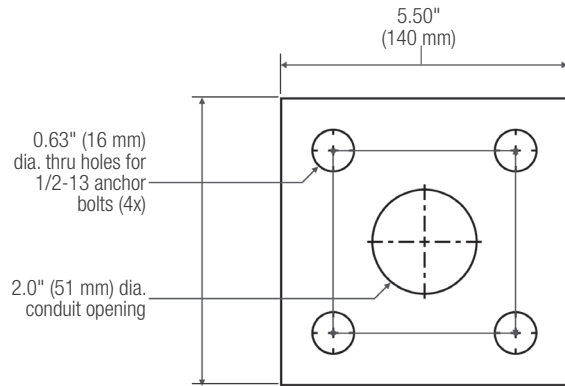
MODEL	DESCRIPTION
LPKNI-LED	Knight Pedestrian, LED



NOMINAL DIMENSIONS



BASE PLATE MOUNTING DETAIL



PRODUCT OPTIONS

The following options are available for an upcharge

Custom RAL powdercoat color	Add stainless steel mounting hardware
-----------------------------	---------------------------------------

LEAD TIME: 6 to 8 weeks. Shorter lead times may be available upon request. Please contact us to discuss your specific timing requirements.

PRICING: Please contact us at **800.451.0410** or **sales@forms-surfaces.com**. At Forms+Surfaces, we design, manufacture and sell our products directly to you. Our sales team is available to assist you with questions about our products, requests for quotes, and orders. Territory Managers are located worldwide to assist with the front-end specification and quoting process, and our in-house Project Sales Coordinators follow your project through from the time you place an order to shipment.

TO ORDER SPECIFY: Quantity, model, powdercoat color. Quote/Order Forms are available on our website to lead you through the specification process in a simple checkbox format.