



**CORDIA™** BOLLARD

PRODUCT DATA





# CORDIA™ BOLLARD

PRODUCT DATA

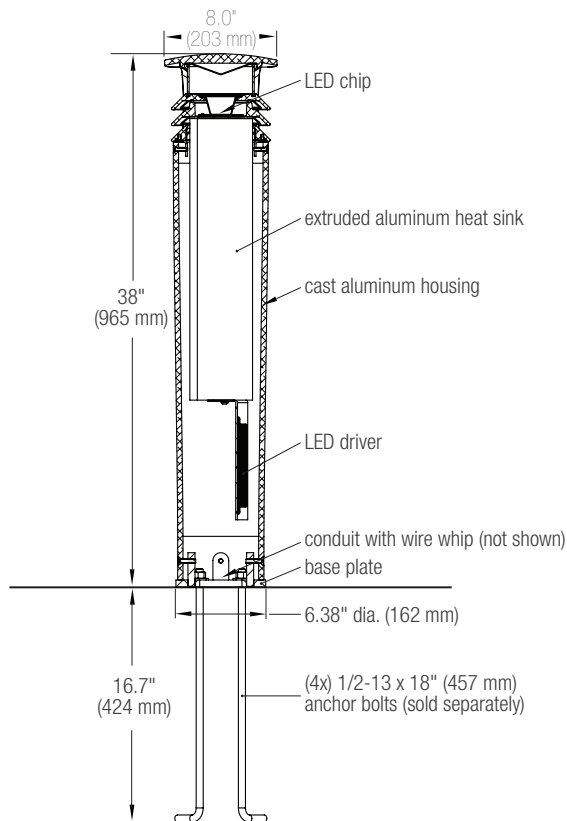
**Cordia Bollards** have a dynamic design that transitions from circular at the base to square at the top, creating a unique sense of style while retaining optimal light output and LED performance. Bollard body and base are durable aluminum with a powdercoat finish; lens is optically clear acrylic. Cordia Bollards coordinate with Cordia Pedestrian Lighting and the rest of the Cordia line, and can be used to bring a contemporary twist to even the most traditional landscape settings.

## MATERIAL & CONSTRUCTION DETAILS

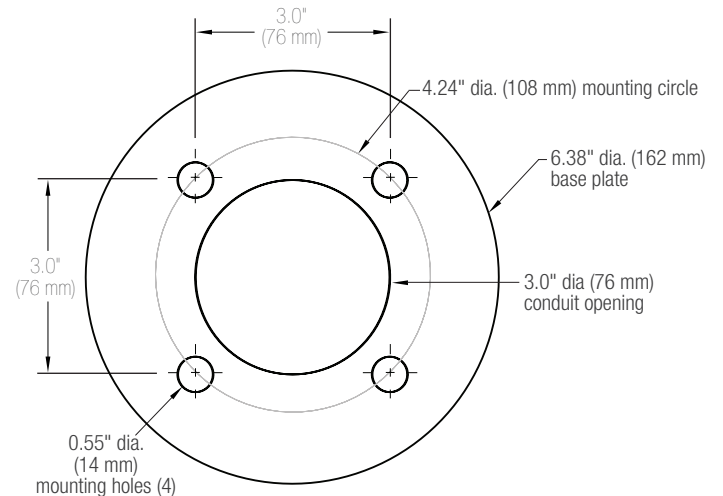
## INSTALLATION & MAINTENANCE

CONSTRUCTION	LED LIGHT ENGINE & DRIVER	INSTALLATION
<ul style="list-style-type: none"> <li>• Head consists of corrosion-resistant cast aluminum and a clear acrylic lens.</li> <li>• Body is made from corrosion-resistant cast aluminum with a powdercoat finish.</li> <li>• Base is made from corrosion-resistant aluminum with a powdercoat finish.</li> <li>• 40 lbs.</li> </ul>	<ul style="list-style-type: none"> <li>• Features advanced LED technology with 35W, 3000K warm white and 4000K neutral white LED.</li> <li>• LED chip is mounted to an extruded aluminum heat sink.</li> <li>• LED driver input power is 100-270 VAC.</li> <li>• Driver has 0-10V dimming capabilities.</li> </ul>	<ul style="list-style-type: none"> <li>• Bollards must be surface mounted using four tamper-resistant bolts.</li> <li>• Installation of a surge protector as part of each units wiring is recommended.</li> <li>• Stainless steel mounting hardware sold separately. Templates available upon request.</li> </ul>
FINISH	LENS, VISIBILITY & SHIELD OPTIONS	MAINTENANCE
<ul style="list-style-type: none"> <li>• See the Forms+Surfaces Powdercoat Chart for details. Custom RAL colors are available for an upcharge.</li> <li>• Due to the inherent nature of metal castings, gloss powdercoats are not offered for cast components.</li> </ul>	<ul style="list-style-type: none"> <li>• Includes an optically clear acrylic lens.</li> <li>• Bollard emits light with a 360° visibility.</li> <li>• Optional shield is available with 180° coverage.</li> </ul>	<ul style="list-style-type: none"> <li>• Metal surfaces can be cleaned as needed using a soft cloth or brush with warm water and a mild detergent. Avoid abrasive cleaners.</li> </ul>

### NOMINAL DIMENSIONS



### BASE PLATE MOUNTING DETAIL



T 800.451.0410 | [www.forms-surfaces.com](http://www.forms-surfaces.com)

**FORMS+SURFACES®**

© 2021 Forms+Surfaces® | All dimensions are nominal. Specifications and pricing subject to change without notice. For the most current version of this document, please refer to our website at [www.forms-surfaces.com](http://www.forms-surfaces.com).



## CORDIA™ BOLLARD

PRODUCT DATA

### LIGHT ENGINE DESCRIPTION

LED ENGINE	DESCRIPTION	COLOR TEMPERATURE	LUMINAIRE LUMENS*	B.U.G. RATINGS	STARTING TEMPERATURE °C
3000K LED	35W	3000K	873	B1-U2-G1	-30
4000K LED	35W	4000K	988	B1-U2-G1	-30

\*LED lumens represents the absolute photometry for the luminaire, and indicates the lumens out of the entire fixture.

**NOTE: Polar candela and isofootcandle plots can be found on the Cordia Bollard product page on our website.**

### CERTIFICATION

- ETL and C-ETL listed for wet locations.

### ENVIRONMENTAL CONSIDERATIONS

- Please refer to the Cordia Bollard Environmental Data Sheets for detailed environmental impact information.
- Metal components have a long life cycle and are 100% recyclable.
- Standard powdercoat finishes are no-VOC; non-standard powdercoat finishes are no- or low-VOC, depending on color.
- Low maintenance; easy to disassemble.

### MODEL NUMBERS AND DESCRIPTIONS

MODEL	DESCRIPTION
LBCOR-LED	Cordia Bollard, LED

### PRODUCT OPTIONS

The following options are available for an upcharge

Add 180° shield	Custom RAL powdercoat color
Add stainless steel mounting hardware	

**LEAD TIME:** 6 to 8 weeks. Shorter lead times may be available upon request. Please contact us to discuss your specific timing requirements.

**PRICING:** Please contact us at **800.451.0410** or **sales@forms-surfaces.com**. At Forms+Surfaces, we design, manufacture and sell our products directly to you. Our sales team is available to assist you with questions about our products, requests for quotes, and orders. Territory Managers are located worldwide to assist with the front-end specification and quoting process, and our in-house Project Sales Coordinators follow your project through from the time you place an order to shipment.

**TO ORDER SPECIFY:** Quantity, powdercoat color, color temperature, and shield. Quote/Order Forms are available on our website to lead you through the specification process in a simple checkbox format.