



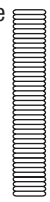




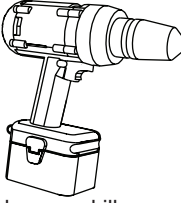


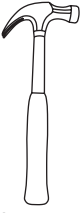
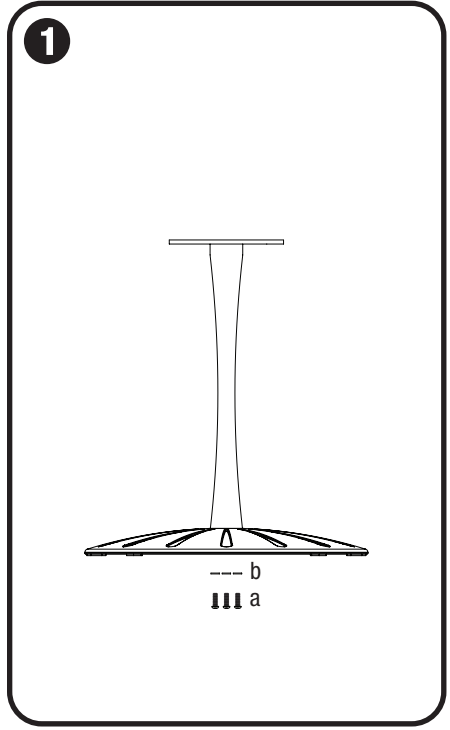


CITRUS™ TABLE

SURFACE MOUNT INSTALLATION INSTRUCTIONS

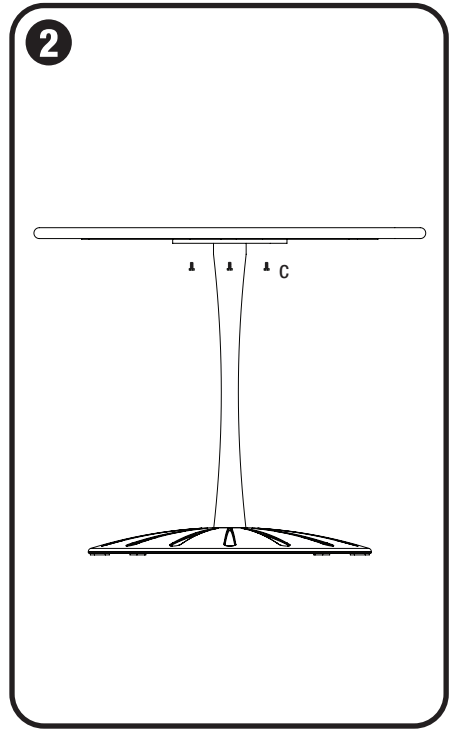
INCLUDED	MOUNTING KIT (SOLD SEPARATELY)	TOOLS NEEDED				
<p>a </p> <p>b </p> <p>c </p>	<p>d </p> <p>e </p>	<p> pencil</p> <p> 3/16", 3/8" & 5/8" drill bits for concrete</p>	<p> 1/2" nut driver</p> <p> 7/32" hex key</p>	<p> hammer drill</p>	<p> steel wire brush</p> <p> 1/4" punch</p>	<p> hammer</p>

STEP BY STEP FOR ALL SURFACE MOUNTED CITRUS TABLES



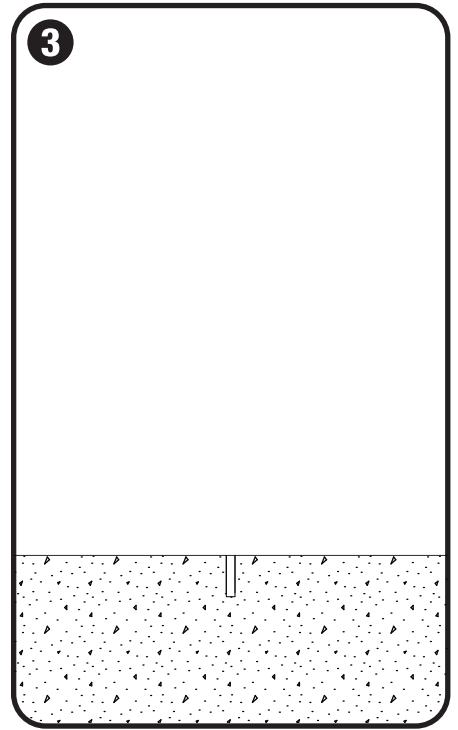
Attach base to column

- Slide 3/8" stainless steel flat washer (b) onto each 3/8"-16 x 1-1/2" button head cap bolt (a) and attach base to column using 7/32" hex key.



Attach table top to column

- Use drill with 1/2" nut driver (or socket wrench with 1/2" socket) to attach table top to column with 5/16"-18 x 3/4" hex head bolts (c).



Mark and drill anchor hole

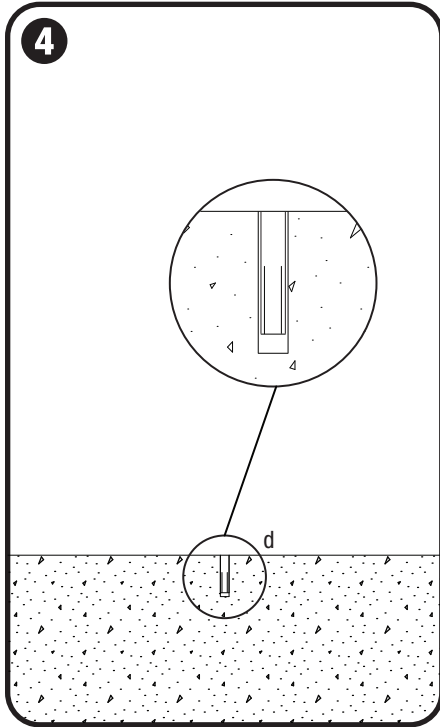
- Locate desired position for center of table on ground and mark with a pencil. Use hammer drill to drill 2-1/4" deep x 5/8" diameter anchor hole at marked location using a 5/8" drill bit suitable for concrete drilling.

NOTE: Forms+Surfaces recommends starting holes with 3/16" diameter drill bit followed by 3/8" and finally 5/8" for maximum accuracy.

CITRUS™ TABLE

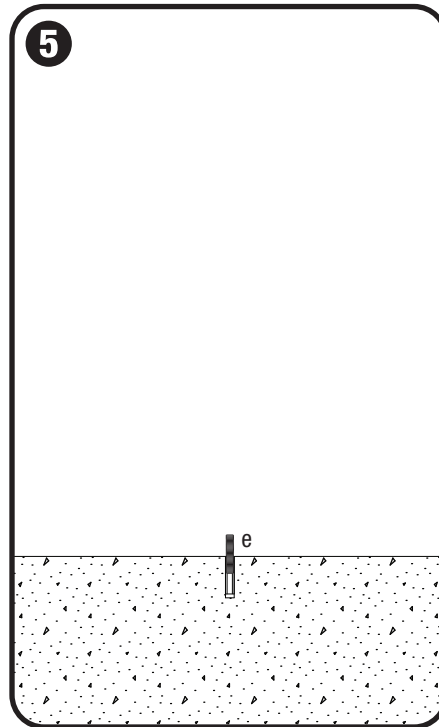
SURFACE MOUNT INSTALLATION INSTRUCTIONS

STEP BY STEP FOR ALL SURFACE MOUNTED CITRUS TABLES



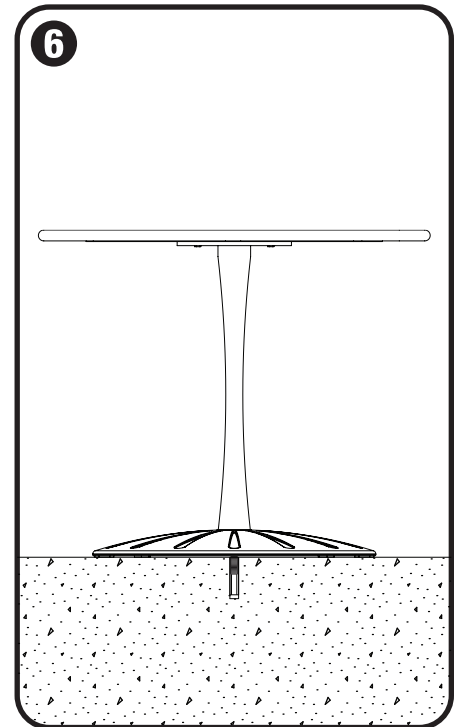
Insert and set anchor

- Use compressed air and steel wire brush to clean anchor hole.
- Insert 1/2"-13 x 2" anchor (d) into anchor hole and use hammer to tap anchor top flush with ground level.
- Use 1/4" punch and hammer to set anchor by driving down the center of anchor until it stops.



Insert all-thread rod

- Thread 1/2"-13 x 3" all-thread rod (e) into anchor until it stops.



Attach table

- Carefully position table on top of all-thread rod and slowly rotate table clockwise until flush with ground.