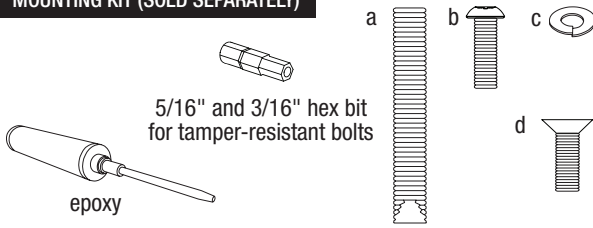


APTOS™ BOLLARD, SOLAR

SURFACE MOUNT INSTALLATION INSTRUCTIONS

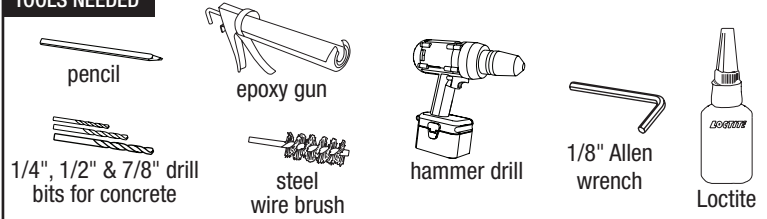
MOUNTING KIT (SOLD SEPARATELY)



5/16" and 3/16" hex bit for tamper-resistant bolts

epoxy

TOOLS NEEDED



pencil

epoxy gun

1/4", 1/2" & 7/8" drill bits for concrete

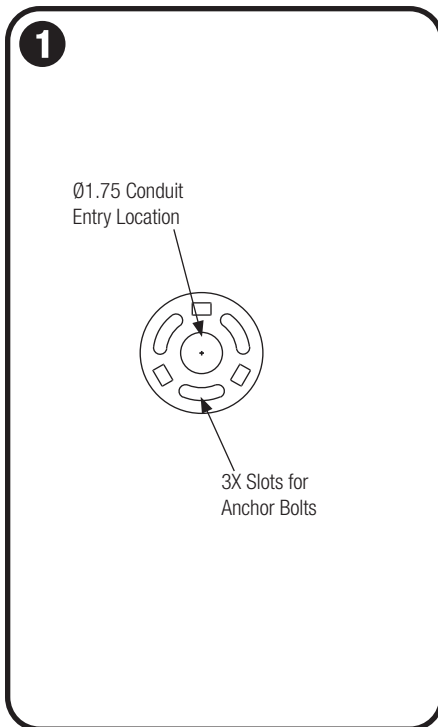
steel wire brush

hammer drill

1/8" Allen wrench

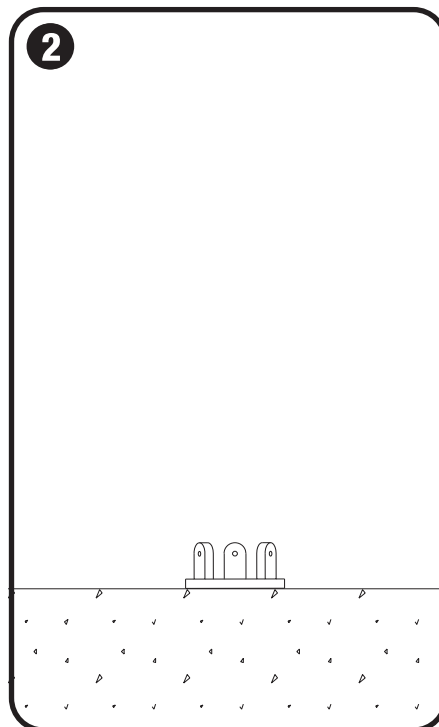
Loctite

STEP BY STEP FOR ALL SURFACE MOUNTED APTOS SOLAR BOLLARDS



Mark hole locations

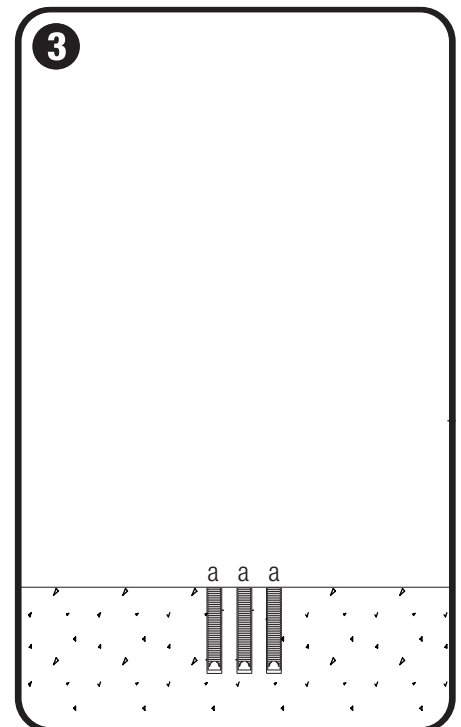
- Place base plate in desired location. Mark center of each hole location with a pencil.



Drill holes

- Use hammer drill to drill 5" deep x 7/8" diameter anchor hole at each marked location using a 7/8" drill bit suitable for concrete drilling.

NOTE: Forms+Surfaces recommends starting holes with 1/4" diameter drill bit followed by 1/2" and finally 7/8" for maximum accuracy.



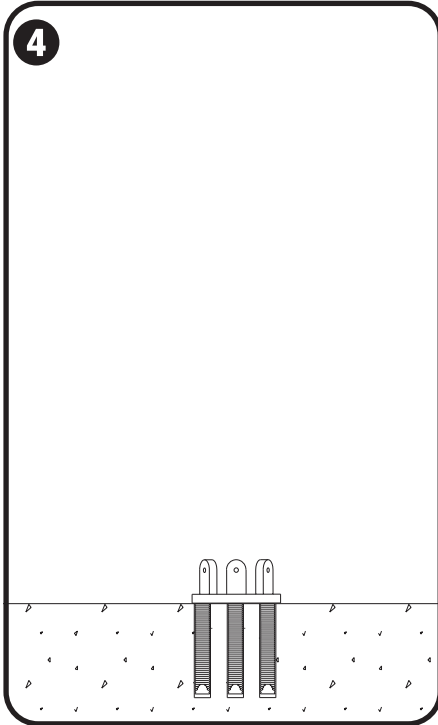
Fill holes & insert anchors

- Use compressed air and steel wire brush to clean each anchor hole in accordance with epoxy instructions.
- Use epoxy in epoxy gun to fill each anchor hole 5/8 of the hole depth in accordance with epoxy instructions.
- Insert 1/2"-13 x 5" epoxy anchors (a) into each anchor hole so anchor top is flush with ground. Allow proper curing time according to cure schedule on epoxy instructions before moving on to Step 4.

APTOS™ BOLLARD, SOLAR

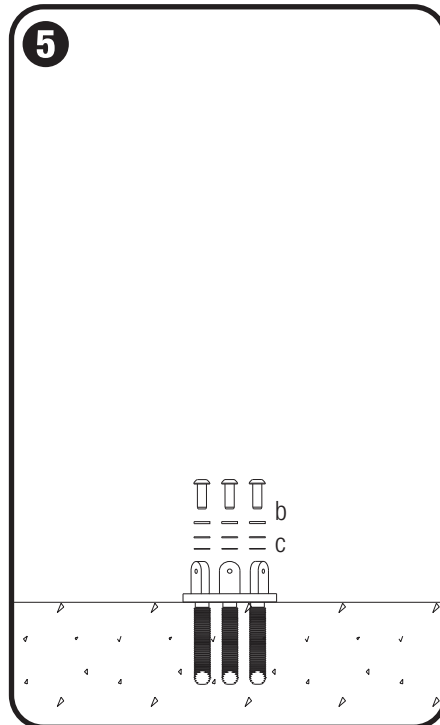
SURFACE MOUNT INSTALLATION INSTRUCTIONS

STEP BY STEP FOR ALL SURFACE MOUNTED APTOS SOLAR BOLLARDS



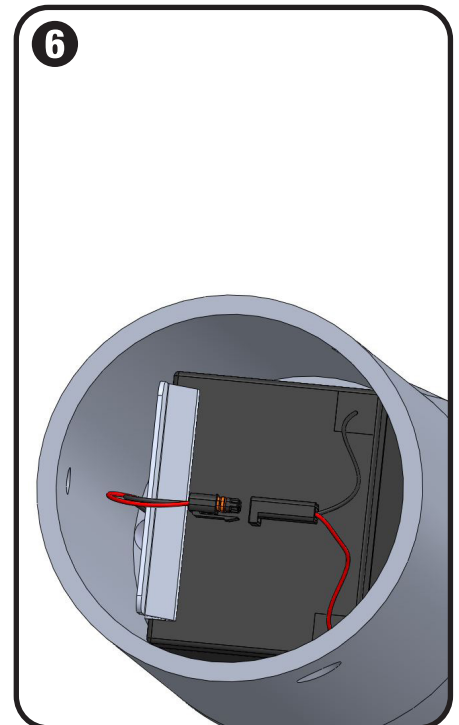
Position base plate

- Position base plate so that the mounting holes line up with anchors.



Attach base plate

- Slide 1/2" stainless steel lock washer (c), onto each 1/2"-13 x 1-1/2" tamper-resistant button head cap bolt (b).
- Insert bolts into mounting holes in base plate and thread into anchors using 5/16" hex bit for tamper-resistant bolts.



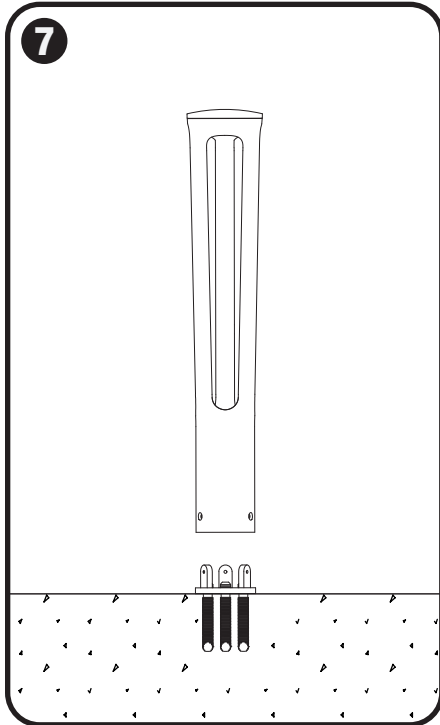
Connect Battery

- Locate plug from battery and connect to fixture plug in base of bollard. LED should illuminate briefly when proper connection is made.

APTOS™ BOLLARD, SOLAR

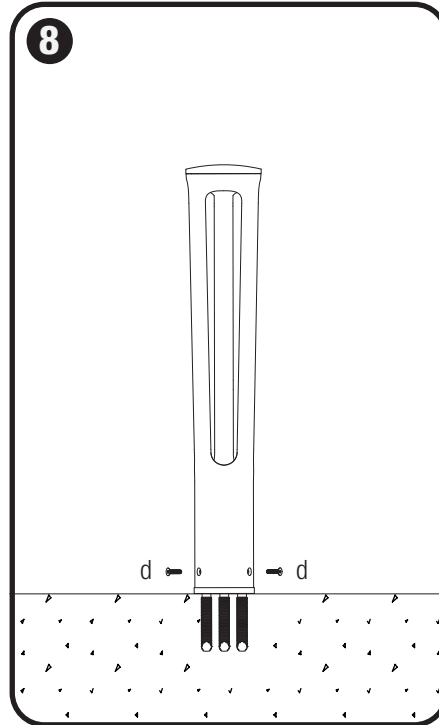
SURFACE MOUNT INSTALLATION INSTRUCTIONS

STEP BY STEP FOR ALL SURFACE MOUNTED APTOS SOLAR BOLLARDS



Place bollard

- Slide bollard over base plate, lower and align mounting holes.



Attach bollard to base plate

- Thread 5/16"-18x1" tamper-resistant flat head bolts (d) into each hole.
- Use 3/16" Hex bit for tamper-resistant bolts to tighten all bolts until snug.